

Customer Tailored Solutions in Agriculture / Poljoprivredni program prema zahtevu kupca



Product catalogue/Katalog

Customer Tailored Solutions in Agriculture

Poljoprivredni program prema zahtevu kupca



CATALOGUE

KATALOG

Edition 2025.

Izdanje 2025.

Copyright © 2025 FKL. All rights reserved.

These contents are the copyright of the publisher and may not be reproduced, in total or partially, without express consent of the publisher. Every precautions were taken to ensure the accuracy of the information in this publication but no liability can be accepted for any errors or omissions.

Prepared by FKL DOO Temerin, Serbia

Editors in Chief: Ljiljana Marić and Dejan Zrilić

Copy Editor: Biljana Obrenović, Jovan Tomić, Nina Đaković, Milan Mijušković and Rade Stanivuk

Photos, Layout and Prepress: Monja Madić and Oleg Vorobev

Print: MAXIMA GRAF, February 2025.

Sadržaj ove publikacije je zaštićeno autorsko pravo izdavača i ne može se reprodukovati (ni u izvodima), bez izričite saglasnosti izdavača. Sva je moguća pažnja preduzeta da se osigura tačnost i ispravnost informacija, koje sadrži ova publikacija, ali se ne može prihvatiti nikakva odgovornost za bilo kakvu grešku ili propust.

Pripremljeno u FKL DOO Temerin, Srbija

Glavni urednici: Ljiljana Marić i Dejan Zrilić

Tehnički urednici: Biljana Obrenović, Jovan Tomić, Nina Đaković, Milan Mijušković i Rade Stanivuk

Grafičko uređenje i priprema za štampu: Monja Madić i Oleg Vorobev

Štampa: MAXIMA GRAF, Februar 2025.

FKL®

Your partner for

Providing the Best Solutions



AGRO POINT HUBS
AGRO POINT GLAVČINE

- 10 IL20
- 11 IL20S
- 12 IL25
- 13 IL30
- 14 IL35
- 15 IL40
- 16 IL40 M
- 17 IL50
- 18 IL50 without shaft
IL50V
- 19 IL50 M
- 20 IL50 with solid forged holder
- 21 IL50S
- 22 IL50A
- 23 IL50A without shaft
- 24 IL50B
- 25 IL60
- 26 IL60 with special design
- 27 IL60 without shaft
- 28 Adaptable IL60 for disc angle change
IL60C
- 29 IL70

Disc Harrow Solutions
Ležajevi i lež. jedinice tanjirače

- 32 PL-127-G
PL-140
- 33 PL-185-M30-R+M30x1.5-RH(LH)
PL-185-155/5H-M30x1.5-RH(LH)
- 34 BW1-306037
306230
357234A
- 35 3206 B.2RS1
3209 NPPB.AH02
3307 B.2RS1
- 36 GWST 209PPB13
GWST 209PPB29
GWST 211PPB20
- 37 GWST 209PPB12 *ZN
GWST 209PPB39
GWST 209PPB40
GWST 211PPB15
GWST 211PPB15.H
- 38 GWST 209PPB32
GWST 211PPB40
GWST 211PPB40.X2
- 39 GW 209PPB12
GW 209PPB30
GW 211PP202
- 40 GW 211PPB3
GW 211PPB20
GW 211PP25
- 41 GWR 209PPB30
GWR 211PPB21
- 42 SBX 1227
W208KPP53
W 208PPB16
W 208PP16
- 43 GWHG 211PP25
GWHGR 211PP202
GWHGR 211-2TD-35

Seeding Machine Solutions
Ležajevi i lež. jedinice sejačice

- 44 VP-16/40/74,5
VP-M20x1.5/40/72-R (L)
- 45 885152
885154B.1
- 46 3204 B.2RS1
3204 T
3205 B.2RS1

- 47 SL 3204 TRS
5206 KPP3
XS 5203.B-2T
- 48 06C04-TS
06C04-ZZ
06C04-DS
6204-RSL3
- 49 SL 3303 2S
SL 3303-2S-20
SL 5203.B-2T
SL 5203.B-2T-A
SL 5203/17.B-2T
SL2 5203.B-2T
SL 5204/16.25-2T
SL 5204/20-2T
SL 5204-5T
SL 5205 2D
- 50 SL 53-014-2T
SL 5316 2T
- 51 SLE 47-16S-2RS
SLE 53-012-2T
SLU 53-012-2T
- 52 206KPP16
205KRP2
- 53 203KRR.AH02
203KPP.AH02
203KRR.AH05
203KPP.AH05
Q 203PP.AH02
Q 203PP.AH05
Q 203PP-CC.AH05
- 54 204KRR
203KRR
- 55 PL-74XX
PL-75XX
PL90-73/6H-B16

Packer Roller Solutions
Ležajevi i lež. jedinice valjka

- 58 LSQFR 308 TQT.H.T
LSQFR 308-13.5 TQT.H.T
LSQFR 308 2TD.H.T
LSQFR 309 TQT.H.T
LSQFR 309-16 TQT.H.T
- 59 ZGKU 208 2S
ZGKU 309 2S
- 60 LSGR 205 FS
LSGR 207 TBS

- 61 LSNN 208 TDT.H.T*K
LSNR 205 2T
LSNR 207 TBS
LENN 206 2TC.H
LENN 208 2T
LENN 210 2T
- 62 ARMOR Bearing Unit
- 63 LSQFH 210 2PB.H
LESQFS 212 2TD.H
- 64 LEFN 212 2TB
LEFN 212M 2TB
LEFN 210 2TB
- 65 LEF 205 2TC
LEFN 207 2TC
LEFN 208 2TC
LEFC 210 2PB
LEFN 210 2PC
LSFN 207 TBS

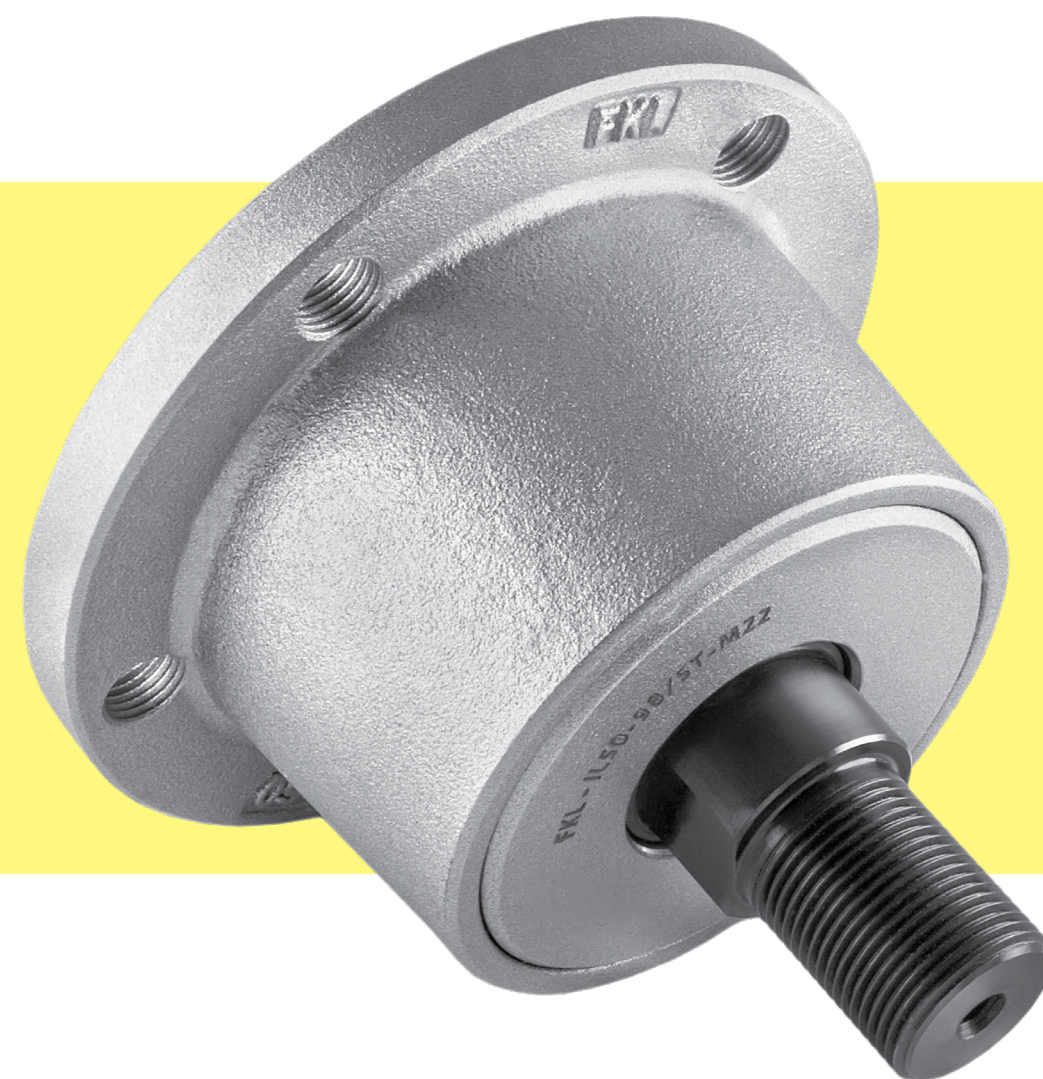
Packer Baler and Mower Solutions
Ležajevi balirke i kosačice

- 68 206KRR6, 207KRRB12, 207KRRB17,
209KPPB2, 209KRRB2, 210RRB6
205PP13, 205PPB13, 205KPPB2, 206KPP3
207KPPB3, 209KPPB2
- 69 LR-35/72
SL 15/40/14.4 2RS
- 70 BW1-357233
BW1-457523
- 71 SLE 206-103 2F

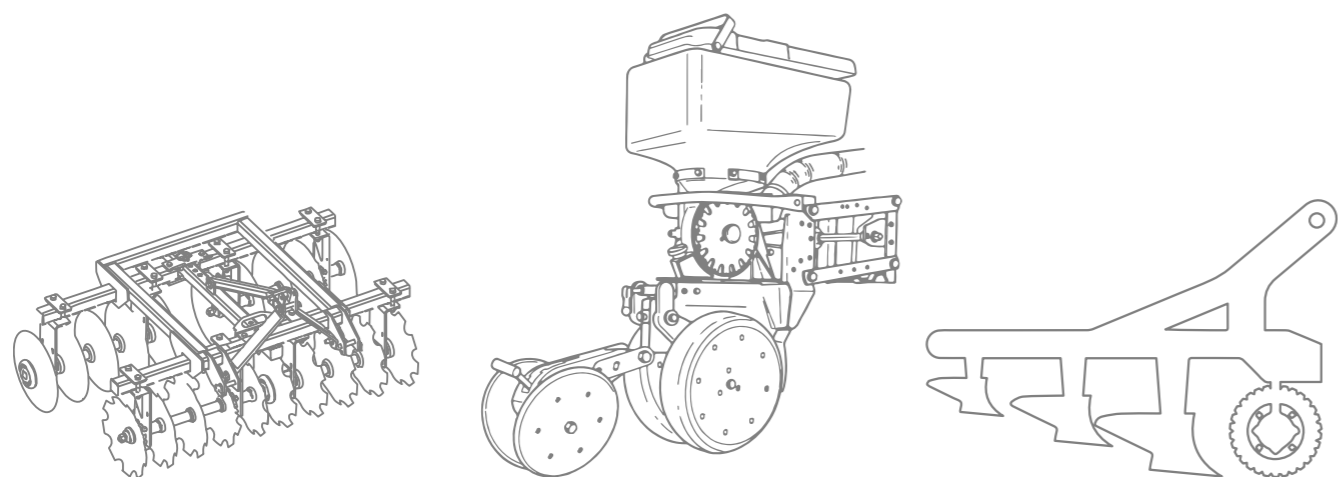
Combine Harvester Solutions
Ležajevi i lež. jedinice kombajna

- 74 SL 40/90/36.5
209 KRR K/50.135
- 75 G207 KPP3 AH16
- 76 LY
- 77 UY
- 78 204KRRB2
204KRR2
205KRRB2
205KRR2
206KRRB6
207KRRB9
- 79 Bearing Units with GS type housing

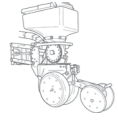
- 82 FKL Distributors/FKL Distributeri



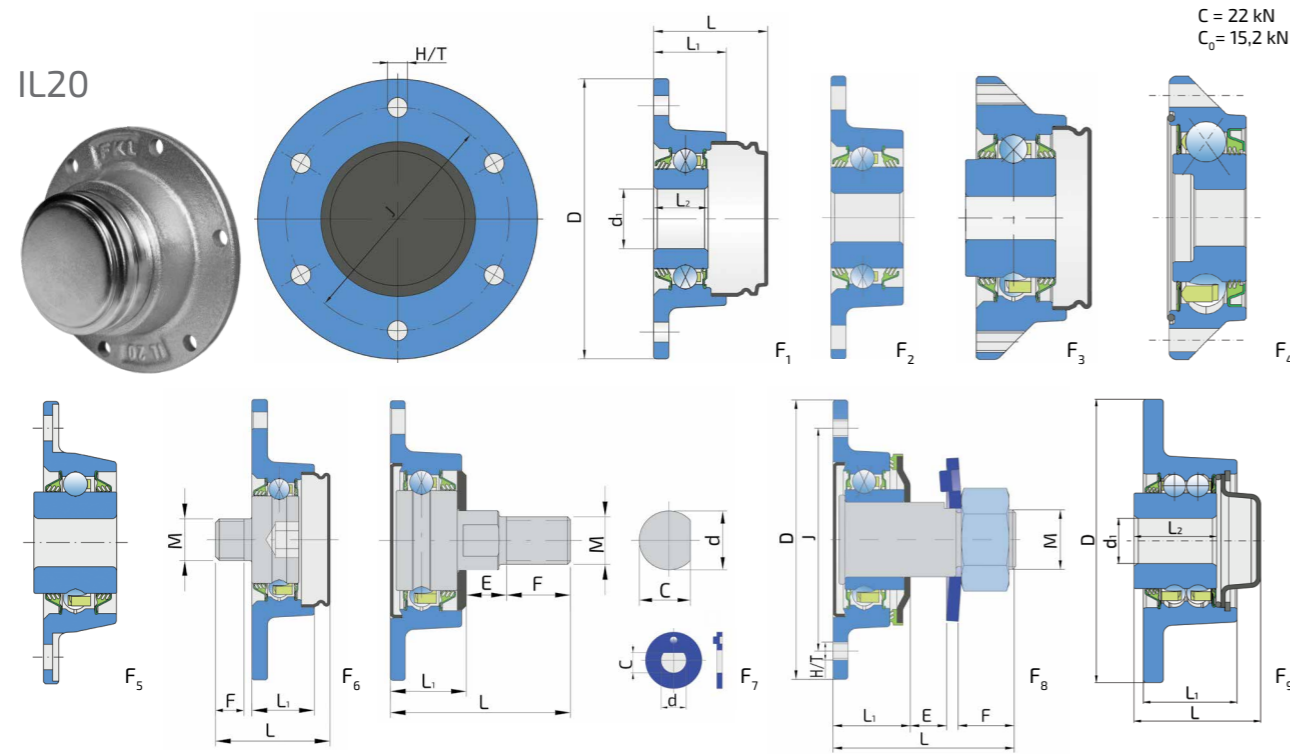
AGRO POINT HUBS
AGRO POINT GLAVČINE



AGRO POINT HUB AGRO POINT GLAVČINA



AGRO POINT HUBS
AGRO POINT GLAVČINE



C = 22 kN
C₀ = 15,2 kN

F6 type is also available with special locking washer
F6 dostupno sa specijalnom zaustavnom podloškom

Designation/Oznaka	J	D	H/T	d	C	d ₁	M	L	L ₁	L ₂	E	F	kg	Fig./Sl.
IL20-70/6T-B12	70	80	6xM6	-	-	12.2	-	32.5	25.5	25.5	-	-	0.59	3
IL20/305-70/6T-B16 *	70	81	6xM8	-	-	16.2	-	22	22	21	-	-	0.45	4
IL20-71/6T-B16	71	81	6xM8	-	-	16.03	-	25.5	-	22.5	-	-	0.51	2
IL20-73/6H-B16	73.5	94	6x6.4	-	-	16	-	40.7	24	27	-	-	0.75	1
IL20-74/6H-B20	74	94	6x9	-	-	20	-	37.7	24	18	-	-	0.48	1
IL20-75/4H-M20x1.5-T-44	75	94	4x8.5	25	23	-	M20x1.5	61	26	-	-	20	0.77	8
IL20-75/6H-B16	75	94	6x6.4	-	-	16	-	37.7	24	18	-	-	0.50	1
IL20-75/6H-B17	75	94	6x6.4	-	-	17	-	37.7	24	18	-	-	0.50	1
IL20-75/6T-B17	75	94	6xM8	-	-	17	-	37.7	24	18	-	-	0.50	1
IL20-75/6H-B17+GK **	75	94	6x6.4	-	-	17	-	37.7	24	18	-	-	0.75	1
IL20-75/6H-B20	75	94	6x6.4	-	-	20	-	37.7	24	18	-	-	0.50	1
IL20-75/6T-M20x1.5-T-44	75	94	6xM6	25	23	-	M20x1.5	61	26	-	-	20	0.77	8
IL20-76.2/6H-B16-2T	76.2	94	6x8.5	-	-	16	-	27.3	24	27.3	-	-	0.49	5
IL20-76.2/6H-B16-36.5	76.2	94	6x8.5	-	-	16	-	36.5	24	21.4	-	-	0.52	9
IL20-79/6H-B16	79.4	94	6x8.1	-	-	16	-	24	-	24	-	-	0.50	2
IL20-80/5H-M16	80	94	5x8.5	20	18.5	-	M16	60.5	25.5	-	13.5	21.5	0.66	7
IL20-80/6H-B16	80	108	6x16	-	-	16	-	44.2	31.5	18	-	-	0.70	1
IL20-80/6H-M16	80	94	6x8.5	20	18.5	-	M16	60.5	25.5	-	13.5	21.5	0.59	7
IL20-80/6T-M16x2	80	94	6xM8x1.25	20	18.5	-	M16x2	71.6	38	-	12.4	21.2	0.73	7
IL20-82/5T-B16	82	108	5xM8	-	-	16.2	-	24	-	24	-	-	0.64	2
IL20-85/6H-B20	85	95	6x6.4	-	-	20	-	37.7	24	18	-	-	0.48	1
IL20-92/5H-M16-R	92	108	5x6.4	-	-	-	M16x1.5-R	51.7	24	-	-	14	0.67	6
IL20-92/5H-M16-L	92	108	5x6.4	-	-	-	M16x1.5-L	51.7	24	-	-	14	0.67	6

* C = 34.5 kN; Co=21.8 kN

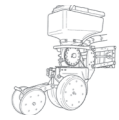
** Complete Set/Kompletan set

Typical Applications:
Potencijalno mesto ugradnje i primena:

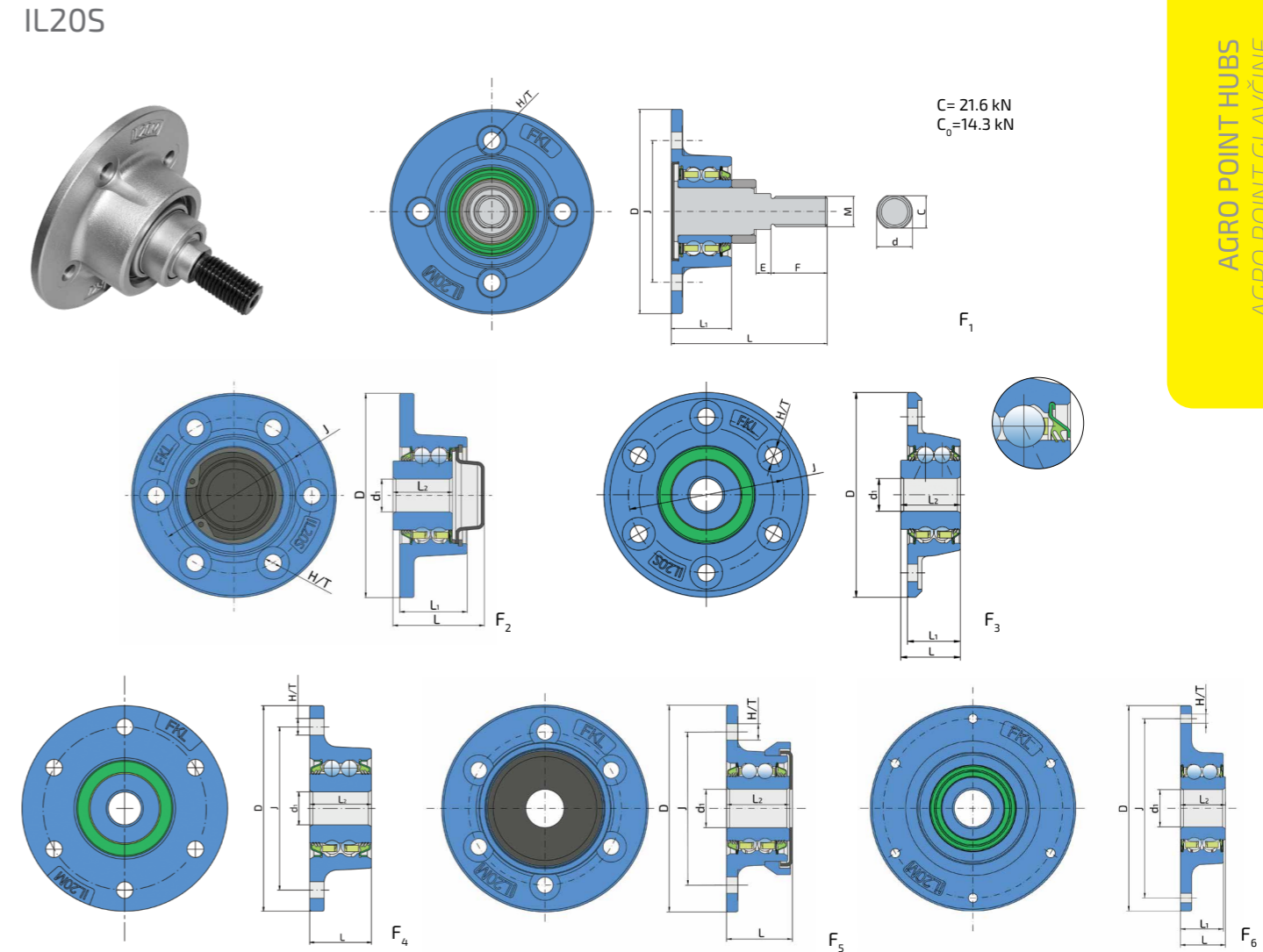
Seeding Machines
Sejačice

Note/Napomena
Metal protective cap is set by the user/Limenu zaštitnu kapu postavlja korisnik

AGRO POINT HUB AGRO POINT GLAVČINA



AGRO POINT HUBS
AGRO POINT GLAVČINE



C = 21.6 kN
C₀ = 14.3 kN

IL20S	J	D	H/T	d	d ₁	C	M	L	L ₁	L ₂	E	F	kg	Fig./Sl.
IL20S-75/4H-M16	75	108	4x9	19	-	17	M16	82.8	32	-	8	29.8	0.97	1
IL20S-76.2/6H-B16-29.175 *	76.2	100	6x8.5	-	16	-	-	44.7	33	32.6	-	-	0.76	2
IL20S-76.2/6H-B16-2D *	76.2	100	6x8.5	-	16	-	-	29.1	25.8	29.175	-	-	0.63	3
IL20S-79.4/6H-B16-2T	79.4	100	6x8.1	-	16	-	-	30	30	30	-	-	0.73	4
IL20S-80/6H-B20	80	108	6x8.5	-	20	-	-	34.5	-	33	-	-	0.73	5
IL20S-96/6T-B20	96	110	6x6	-	20	-	-	24	23	24	-	-	0.67	6

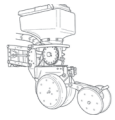
* C = 22 kN; Co=15.2 kN

Typical Applications:
Potencijalno mesto ugradnje i primena:

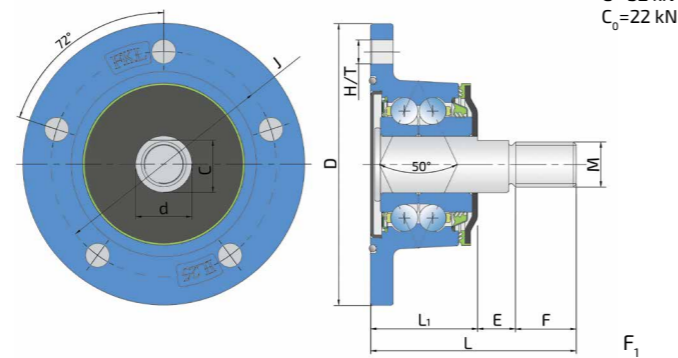
Seeding Machines
Sejačice

AGRO POINT HUB

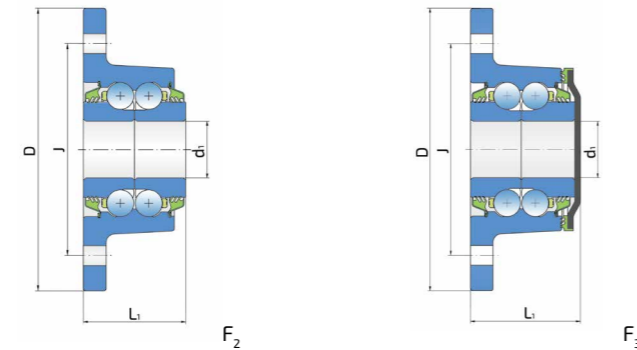
AGRO POINT GLAVČINA



IL25



C = 32 kN
C₀ = 22 kN



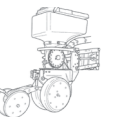
Designation/Oznaka	J	D	H/T	d	C	d ₁	M	L	L ₁	E	F	kg	Fig./Sl.
IL25-75/6H-B20	75	100	6x7	-	-	20	-	-	36	-	-	0,78	2
IL25-75/6H-B20-T	75	100	6x7	-	-	20	-	-	39	-	-	0,78	3
IL25-80/5H-M16-T	80	100	5x8.5	20	18.5	-	M16	73	38	13.5	21.5	0,99	1
IL25-80/6T-M16-T	80	100	6xM8	20	18.5	-	M16	73	38	11	24	0,99	1
IL25-85/4T-B20-T	85	100	4xM8	-	-	20	-	-	39	-	-	0,78	3
IL25-85/4T-M16-T	85	100	4xM8	20	18.5	-	M16	73	38	13.5	21.5	0,94	1

Typical Applications:
Potencijalno mesto ugradnje i primena:

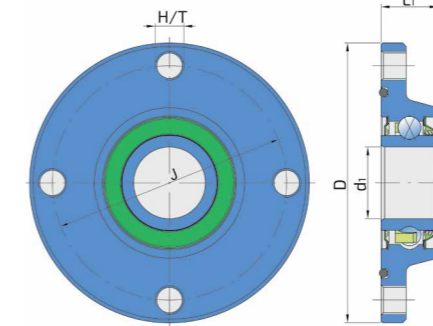
Finger weeders/Prstasti diskovi za uklanjanje korova
Seeding machines for No-till and Strip-till/Diskovi sejačica za "No-till" i "Strip-till" obradu
Coulter discs for seeding machines/Diskovi-raonici na sejačicama
Marker discs for ploughs and seeding machines/Diskovi obeleživači na plugovima i sejačicama

AGRO POINT HUB

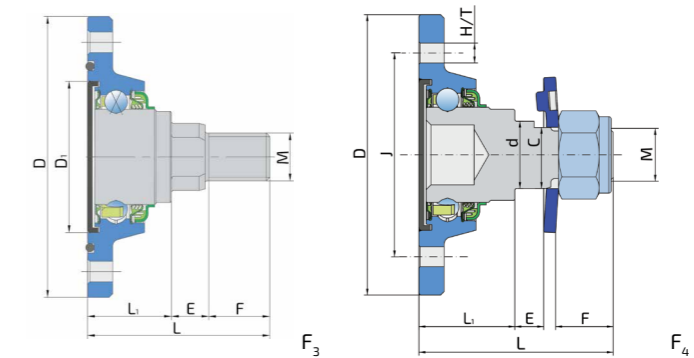
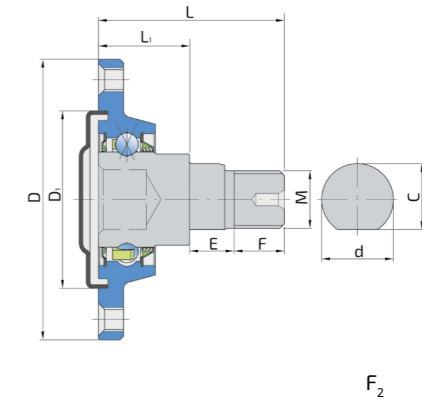
AGRO POINT GLAVČINA



IL30



C = 29,6 kN
C₀ = 21 kN

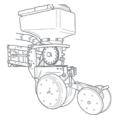


Designation/Oznaka	J	D	D ₁	H/T	d	C	d ₁	M	L	L ₁	E	F	kg	Fig./Sl.
IL30-85/4H-M22-04	85	117	63	4x8.3	28	25.4	-	M22x1.5	81	40	12	25	1,50	4
IL30-95/6H-M20	95.5	117	63	6x8.5	28	25.4	-	M20	76	35	15.5	25.5	1,21	3
IL30-98/4T-B30	98	117	-	4xM12x1.25	-	-	30	-	-	23.8	-	-	0,91	1
IL30-98/4T-M20	98	117	63	4xM8	20	17	-	M20	77	40	7	30	1,14	3
IL30-98/4H-B30	98	117	-	4x10	-	-	30	-	-	23.8	-	-	0,91	1
IL30-98/5T-B30	98	117	-	5xM12x1.5	-	-	30	-	-	24.8	-	-	0,93	1
IL30-100/4T-M24x2	100	117	74	4xM10	30	27.5	-	M24x2	89	42.3	18.7	28	1,51	2

Typical Applications:
Potencijalno mesto ugradnje i primena:

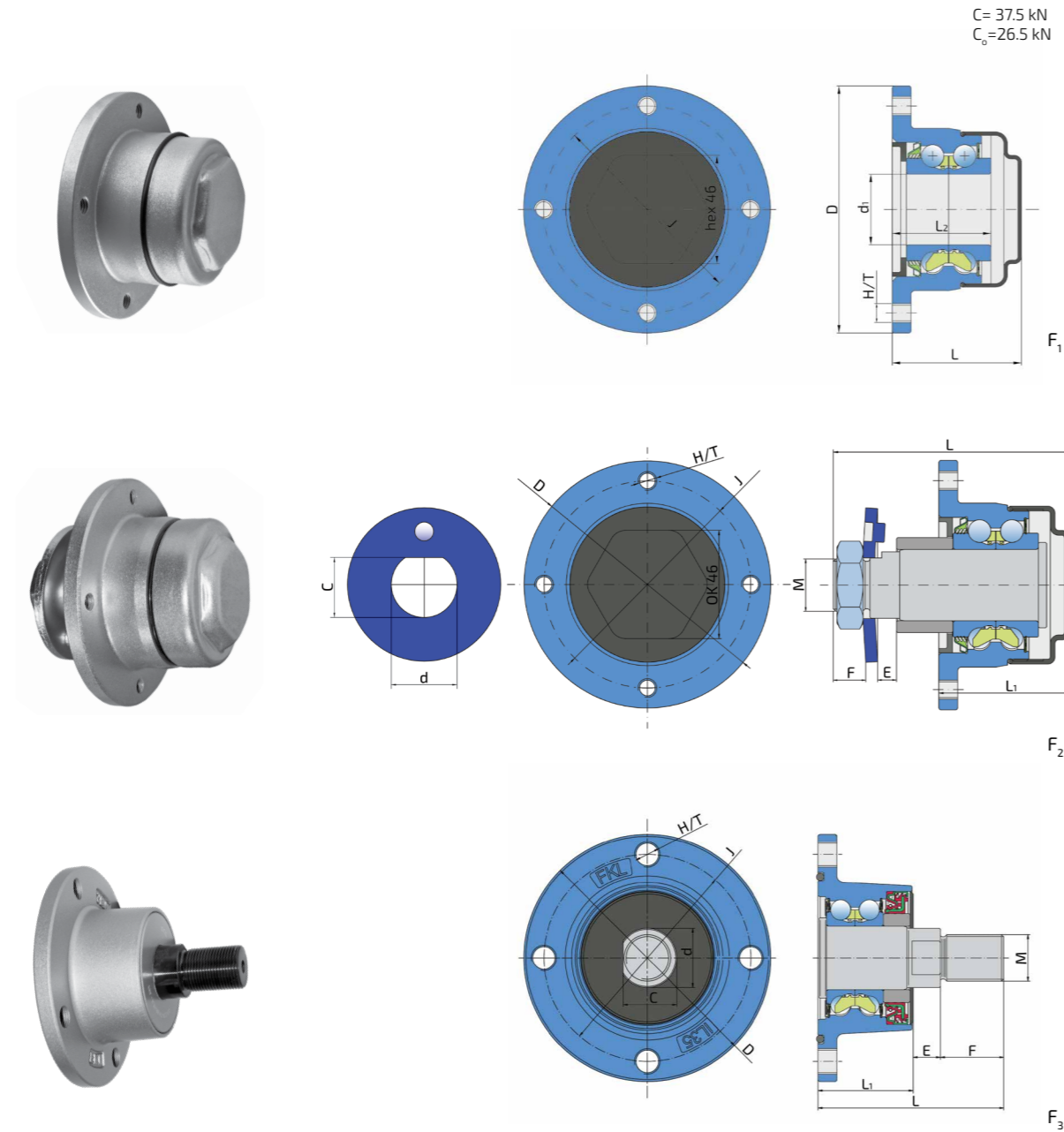
Seeding machines for No-till and Strip-till farming technology/Diskovi sejačica za "No-till" i "Strip-till" obradu
Coulter discs for seeding machines /Diskovi-raonici na sejačicama
Marker discs for ploughs/Diskovi obeleživači na plugovima

AGRO POINT HUB AGRO POINT GLAVČINA



AGRO POINT HUBS
AGRO POINT GLAVČINE

IL35

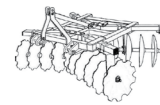


Designation/Oznaka	J	D	H/T	d	d ₁	C	M	L	L ₁	L ₂	E	F	kg	Fig./Sl.
IL35-88/4T-04	88	105	4x8x1.25	30	-	24.7	M22x1.5	108	55	-	8	13.5	1.75	2
IL35-88/4T-B30	88	105	4x8x1.25	-	30	-	-	55	-	42	-	-	1.05	1
IL35-98/4T-M22x1.5	98	117	4xM12x1.25	28	-	25.5	M22x1.5	88	45	-	13	30	1.65	3

Typical Applications:
Potencijalno mesto ugradnje i primena:

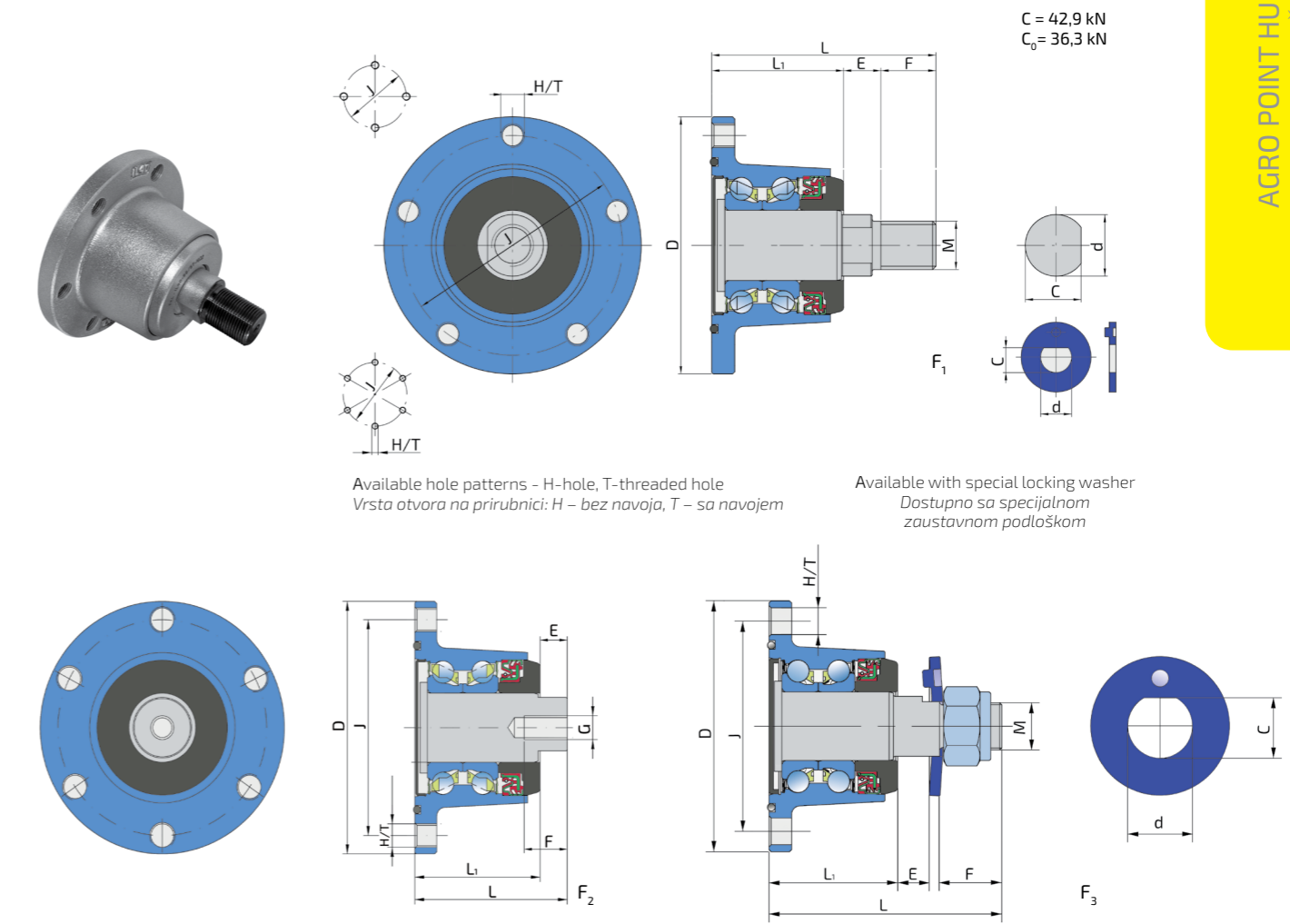
Seeding Machines and Manure Handling Machines
Sejačice i mašine za đubrenje

AGRO POINT HUB AGRO POINT GLAVČINA



AGRO POINT HUBS
AGRO POINT GLAVČINE

IL40



Designation/Oznaka	J	D	H/T	d	C	M	G	L	L ₁	E	F	kg	Fig./Sl.
IL40-98/4T-M22	98	117	4xM12x1.25	27.95	25.4	M22x1.5	-	102	60	17	25	2.16	1
IL40-98/4T-M22-X	98	117	4xM12x1.25	27.95	25.4	M22x1.5	-	102	60	15	27	2.10	1
IL40-98/4T-M24x2-44	98	117	4xM12x1.25	30	27.5	M24x2	-	106	60	10	31	2.38	3
IL40-98/5T-M22	98	117	5xM12x1.25	27.95	25.4	M22x1.5	-	102	60	17	25	2.16	1
IL40-98/6T-M22	98	117	6xM12x1.25	27.95	25.4	M22x1.5	-	102	60	17	25	2.16	1
IL40-98/4T-M24	98	117	4xM12x1.25	30	27.5	M24x2	-	106	60	17	29	2.16	1
IL40-98/5H-M22-04	98	117	5x12.5	27.95	25.4	M22x1.5	-	108.5	60	16	29	2.36	3
IL40-98/5T-M24	98	117	5xM12x1.25	30	27.5	M24x2	-	106	60	17	29	2.20	1
IL40-98/6T-M24	98	117	6xM12x1.25	30	27.5	M24x2	-	106	60	17	29	2.20	1
IL40-100/6T-M20x1.5	100	117	6xM10	34	31	-	M20x1.5	69	55	14	26	2.00	2

Typical Applications:
Potencijalno mesto ugradnje i primena:

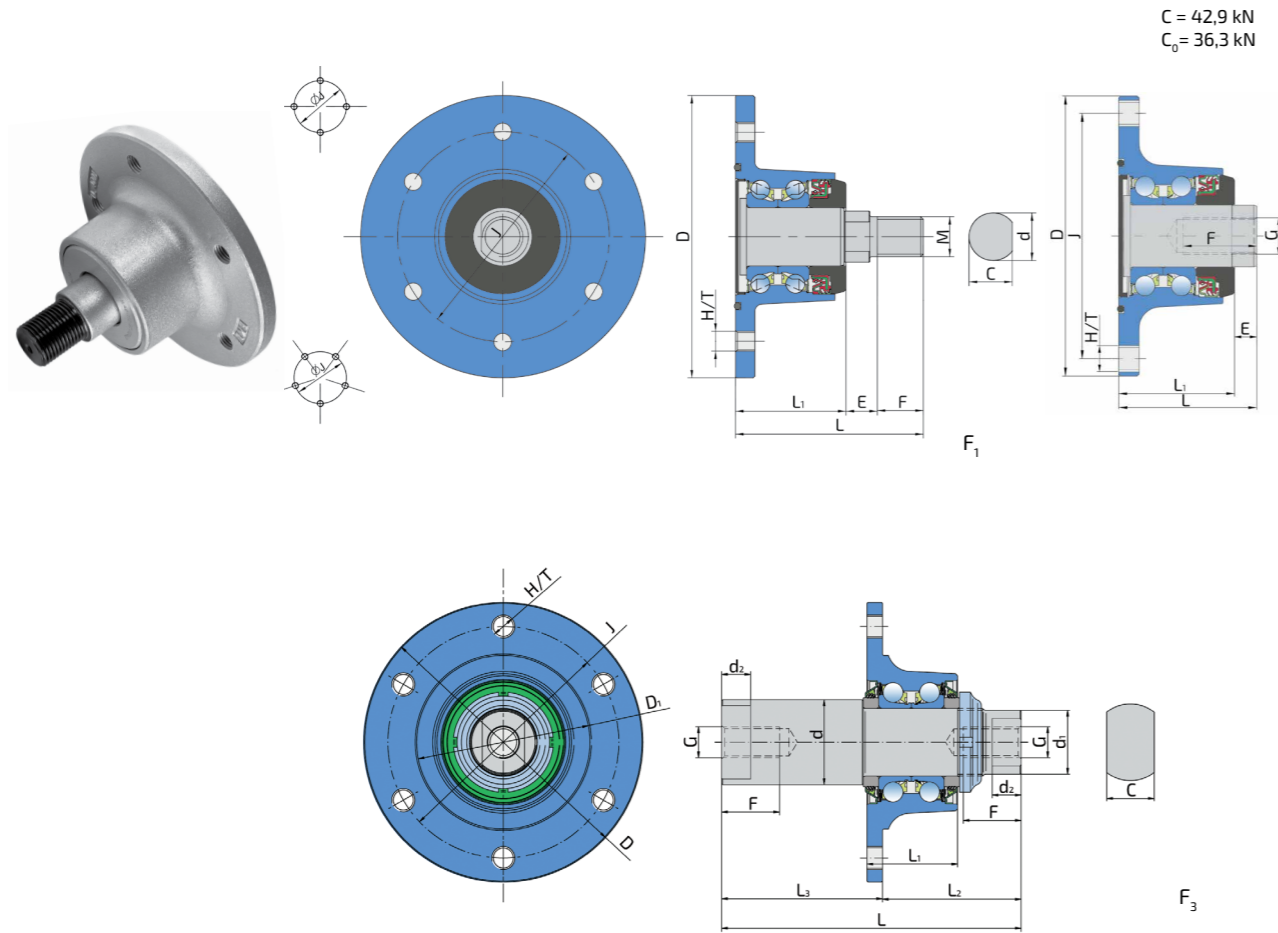
Disc Harrows, Bed Maker and Manure Handling Machines
Tanjirače, mašine za povrtarstvo i mašine za đubrenje

AGRO POINT HUB AGRO POINT GLAVČINA



AGRO POINT HUBS
AGRO POINT GLAVČINE

IL40 M



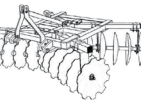
C = 42,9 kN
C₀ = 36,3 kN

Designation/Oznaka	J	D	D ₁	H/T	d	d ₁	d ₂	C	M	G	L	L ₁	L ₂	L ₃	E	F	kg	Fig./Sl.
IL40-104/5T-M22x1.5-01	104	145	-	5xM12x1.25	27.95	-	-	25.4	M22x1.5	-	101	55	-	-	21	25	2.48	1
IL40-108/5T-M22x1.5	108	145	-	5xM12x1.25	27.95	-	-	25.4	M22x1.5	-	102	60	-	-	17	29	2.70	1
IL40-110/4H-M24x1.5	110	145	-	4x13	24	-	-	22.5	M24x1.5	-	129	74	-	-	20	35	2.81	1
IL40-110/4H-M30x2	110	145	-	4x13	34.9	-	-	32.4	M30x2	-	134	76	-	-	20	38	3.20	1
IL40-110/6H-M22x1.5	110	145	-	6x10.5	28	-	-	25.4	M22x1.5	-	110	60	-	-	17	33	2.62	1
IL40-112/5T-M24x2	112	145	-	5xM12x1.5	30	-	-	28	M24x2	-	101	55	-	-	21	25	2.48	1
IL40-115/5H-M22x1.5	115	145	-	5x13	28	-	-	25.5	M22x1.5	-	101	55	-	-	18	28	2.48	1
IL40-120/4H-M22x1.5	120	145	-	4x11	28	-	-	25.4	M22x1.5	-	110	60	-	-	17	33	2.79	1
IL40-120/6T-2xM16	120	145	90	6xM12x1.25	44	33	15	2x22	-	M16x1.5	155.5	47	72	83.5	-	30	3.08	3
IL40-127/4T-3/4-16UNF	127	145	-	4x1/2"-13UNC	31.8	-	-	29	-	3/4"-16 UNF	71.5	60	-	-	11.5	38.1	2.50	2

Typical Applications:
Potencijalno mesto ugradnje i primena:

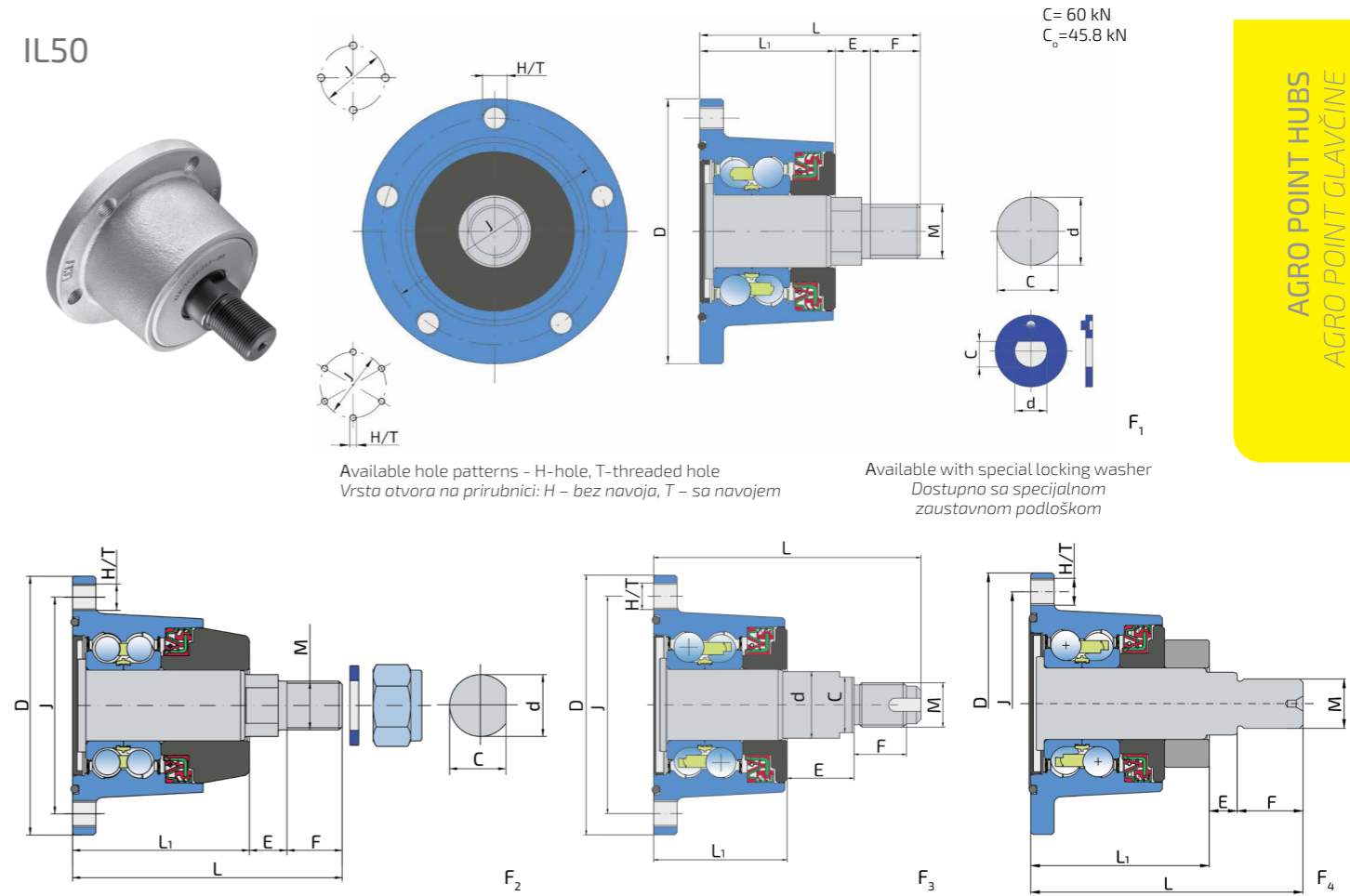
Disc Harrows, Seeding Machines and Manure Handling Machines
Tanjirače, sejačice i mašine za đubrenje

AGRO POINT HUB AGRO POINT GLAVČINA



AGRO POINT HUBS
AGRO POINT GLAVČINE

IL50



C = 60 kN
C₀ = 45.8 kN

Available hole patterns - H-hole, T-threaded hole
Vrsta otvora na prirubnici: H - bez navoja, T - sa navojem

Available with special locking washer
Dostupno sa specijalnom zaustavnom podloškom

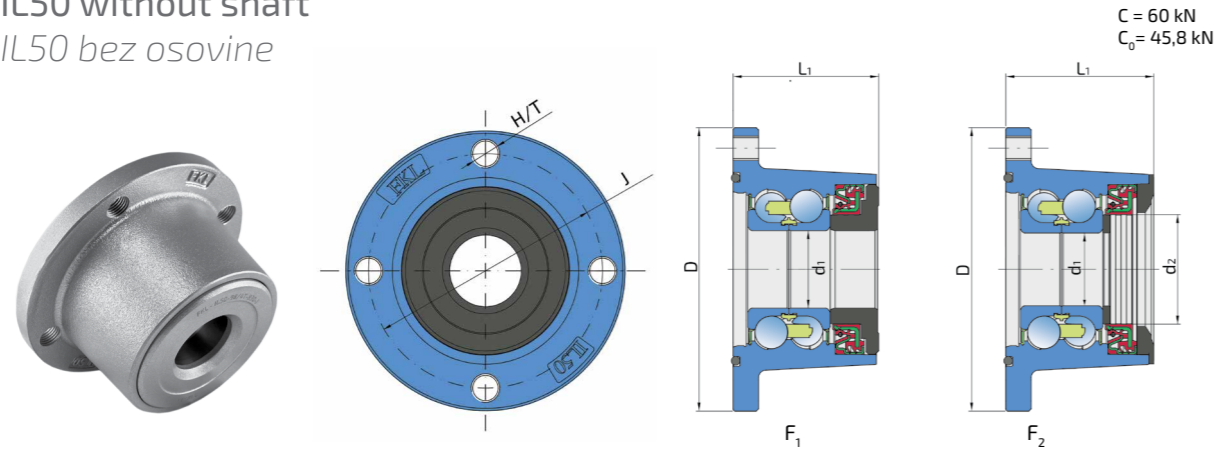
Designation/Oznaka	J	D	H/T	d	C	M	L	L ₁	E	F	kg	Fig./Sl.
IL50-98/4T-M20x1.5	98	117	4xM12x1.25	30	25	M20x1.5	120.1	60	30.1	23.5	2.57	3
IL50-98/4T-M22	98	117	4xM12x1.25	27.95	25.4	M22x1.5	102	60	17	25	2.51	1
IL50-98/4T-M22x1.5-44	98	117	4xM12x1.25	27.95	25.4	M22x1.5	107	60	19	28	2.72	1
IL50-98/4T-M22x1.5-117	98	117	4xM12x1.25	27.95	25.4	M22x1.5	117	60	17	27	2.55	1
IL50-98/4T-M22-122-02	98	117	4xM12x1.25	27.95	25.4	M22x1.5	122	80	17	25	3.15	2
IL50-98/5T-M22	98	117	5xM12x1.25	27.95	25.4	M22x1.5	102	60	17	25	2.50	1
IL50-98/5Tx1.5-M22	98	117	5xM12x1.5	27.95	25.4	M22x1.5	102	60	13	29	2.50	1
IL50-98/6T-M22	98	117	6xM12x1.25	27.95	25.4	M22x1.5	102	60	17	25	2.51	1
IL50-98/6T-M22-113	98	117	6xM12x1.25	27.95	25.4	M22x1.5	113	60	28	25	2.54	1
IL50-98/4T-M24	98	117	4xM12x1.25	30	27.5	M24x2	106	60	17	29	2.55	1
IL50-98/5T-M24	98	117	5xM12x1.25	30	27.5	M24x2	106	60	17	29	2.55	1
IL50-98/6T-M24	98	117	6xM12x1.25	30	27.5	M24x2	106	60	17	29	2.51	1
IL50-98/6T-M24x2-04	98	117	6xM12x1.25	32	29.6	M24x2	111	60	20	27	3.30	1
IL50-100/4T-1"	100	117	4xM10	30	27.95	1" SAE14h	125	60	36	29	2.67	1
IL50-100/4T-M24x2	100	117	4xM10	30	27.95	M24x2	125	60	32	33	2.66	1
IL50-100/5T-M22-122	100	117	5xM12x1.25	28	23	M22x1.5	122	80	12.5	29.5	2.87	4
IL50-100/6T-M24.R	100	117	6xM10x1.25	30	27	M24x1.5	97.5	60	15.5	22	2.51	1
IL50-100/6T-M24.L	100	117	6xM10x1.25	30	27	M24x1.5-L	97.5	60	15.5	22	2.51	1
IL50-103/5T-M22	103	119	5xM12x1.25	27.95	25.4	M22x1.5	102	60	17	25	2.51	1

Typical Applications:
Potencijalno mesto ugradnje i primena:

Disc Harrows, Seeding Machines, Bed Maker and Manure Handling Machines
Tanjirače, sejačice, mašine za povrtarstvo i mašine za đubrenje

AGRO POINT HUB AGRO POINT GLAVČINA

IL50 without shaft
IL50 bez osovine

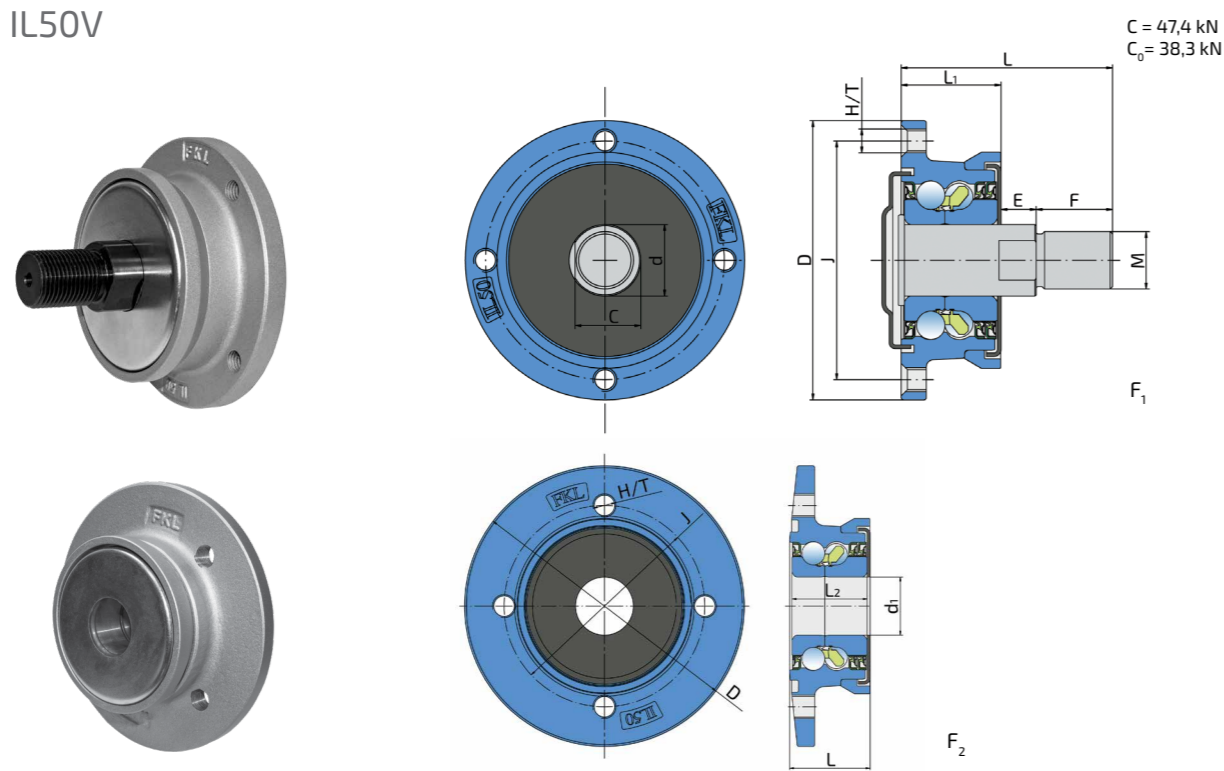


C = 60 kN
C₀ = 45,8 kN

Available hole patterns - H-hole, T-threaded hole
Vrsta otvora na priborici: H - bez navoja, T - sa navojem

Designation/Oznaka	J	D	H/T	d ₁	d ₂	L ₁	kg	Fig./Sl.
IL50-98/4T-B30-F	98	117	4xM12x1.25	30	45	61	1.87	2
IL50-98/4T-B30-J	98	117	4xM12x1.25	30	-	60	1.96	1
IL50-98/6T-B30-J	98	117	6xM12x1.25	30	-	60	1.95	1

IL50V



C = 47,4 kN
C₀ = 38,3 kN

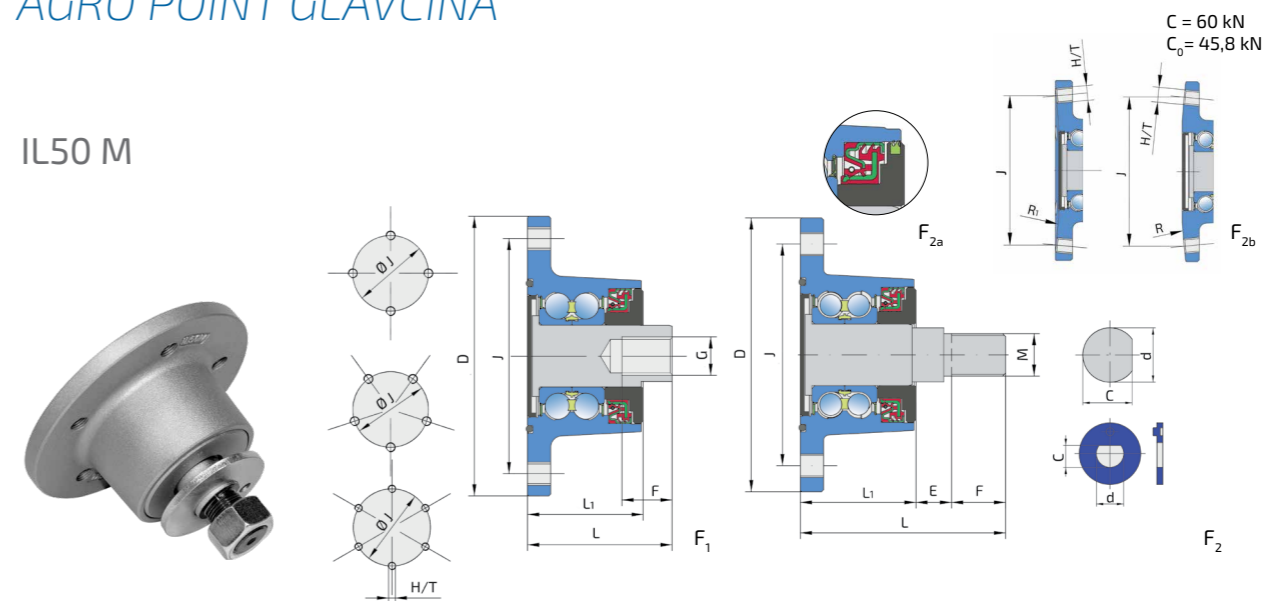
Designation/Oznaka	J	D	H/T	d	d ₁	C	M	L	L ₁	L ₂	E	F	kg	Fig./Sl.
IL50V-100/4T-M24x2	100	117	4xM10	30	-	27.5	M24x2	88.5	41.8	-	14.7	32	2.17	1
IL50V-104/4T-B30	104	145	4xM12x1.25	-	30	-	-	41.8	-	39	-	-	3.41	2

Typical Applications:
Potencijalno mesto ugradnje i primena:

Disc Harrows and Seeding Machines
Tanjirače i sejačice

AGRO POINT HUB AGRO POINT GLAVČINA

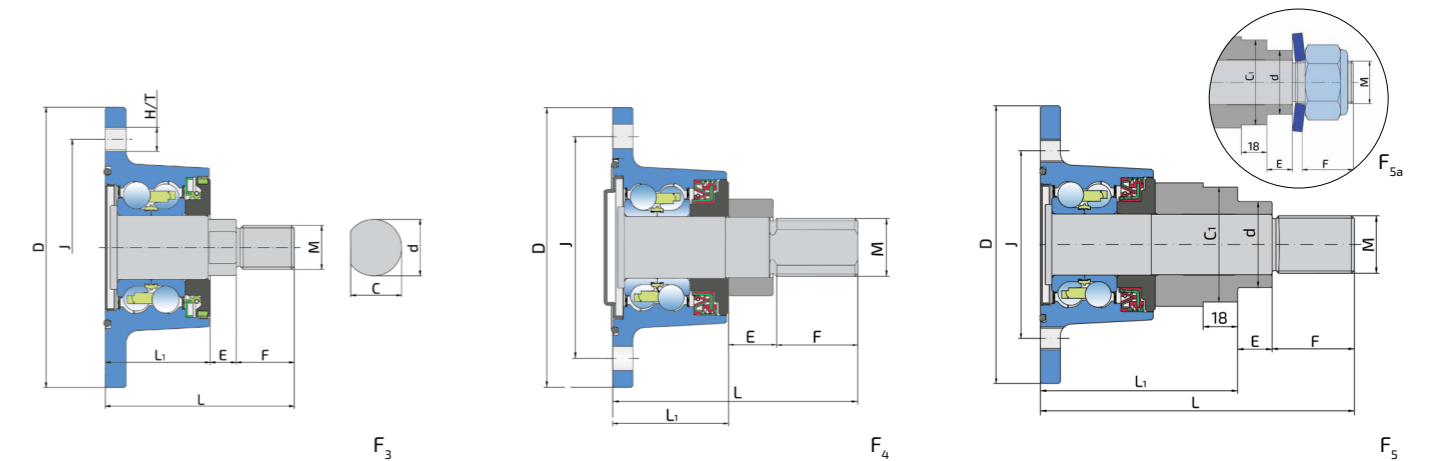
IL50 M



C = 60 kN
C₀ = 45,8 kN

Available hole patterns - H-hole, T-threaded hole
Vrsta otvora na priborici: H - bez navoja, T - sa navojem

Available with special locking washer
Dostupno sa specijalnom zaustavnom podloškom



Designation/Oznaka	J	D	H/T	d	C	C ₁	M	G	L	L ₁	E	F	R	R ₁	kg	Fig./Sl.
IL50-98/4T-M30x2-164	98	145	4xM12x1.25	45	-	60	M30x2	-	164	103	18	43	-	-	4.37	5
IL50-104/5T-04	104	145	5xM12	27.95	25.4	-	M22x1.5	-	107	60	15	27	-	-	3.18	2
IL50-105/4H-M24x1.5-RH	105	145	4x12.3	30	27	-	M24x1.5-RH	-	97.5	60	15.5	22	-	-	3.10	2
IL50-105/4H-M24x1.5-LH	105	145	4x12.3	30	27	-	M24x1.5-LH	-	97.5	60	15.5	22	-	-	3.10	2
IL50-108/5T-M22x1.5-94.5	108	140	5xM12x1.25	28	25.5	-	M22x1.5	-	94.5	52.5	13	29	-	-	2.64	3
IL50-112/5T-M24x2	112	145	5xM12x1.25	30	28	-	M24x2	-	106	60	20	26	-	-	3.02	2
IL50-112/5Tx1.5-M24x2	112	145	5xM12x1.5	30	28	-	M24x2	-	106	60	18	28	-	-	2.99	2a
IL50-112/6Tx1.5-M24x2	112	145	6xM12x1.5	30	28	-	M24x2	-	106	60	18	28	-	-	2.99	2a
IL50-115/5H-M22	115	145	5x13	27.95	25.4	-	M22x1.5	-	102	60	17	25	-	-	2.95	2
IL50-115/4H-M30x2	115	145	4x12.5	30	26.9	-	M30x2	-	127	60	25	42	-	-	3.38	4
IL50-120/6H-M24x1.5	120	145	6x13	30	27	-	M24x1.5	-	97.5	60	15.5	22	-	-	2.96	2
IL50-120/6H-M24x1.5-103	120	145	6x13	31	29	-	M24x1.5	-	103	60	17	26	-	-	2.99	2
IL50-120/6T-M24x2-04-R633	120	145	6xM12x1.75	30	27.8	-	M24x2	-	129.2	63.2	35	27	-	633	3.61	2b
IL50-120/6T-M24x2-04-R633-114	120	145	6xM12x1.75	30	27.8	-	M24x2	-	114.2	63.2	20	27	-	633	3.53	2b
IL50-120/6T-M24x2-04-R635-149	120	145	6xM12x1.75	30	27.8	-	M24x2	-	149.2	63.2	56	27	635	-	3.57	2b
IL50-122/6T-M20x1.5	122	145	6xM12x1.25	31.8	29	-	-	M20x1.5	75	60	15	26	-	-	2.99	1
IL50-125/6T-M30x2-164	125	145	6xM12x1.75	45	-	60	M30x2	-	164	103	18	36	-	-	4.79	5a

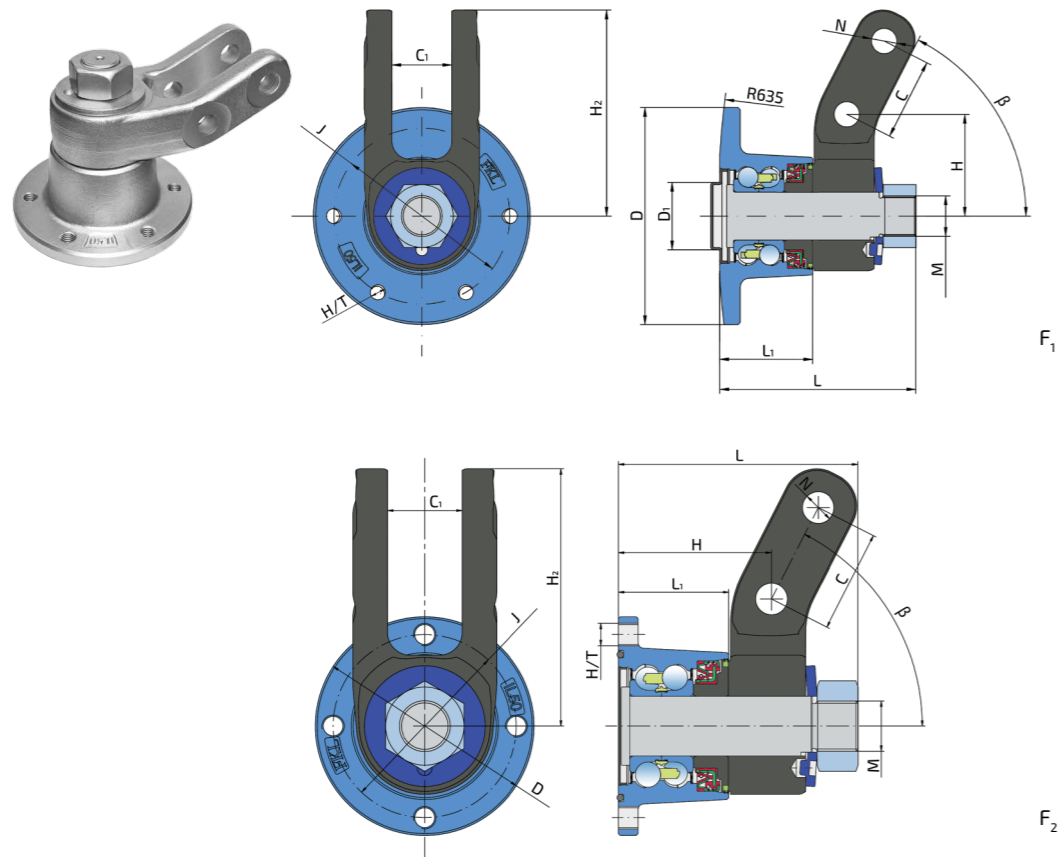
Typical Applications:
Potencijalno mesto ugradnje i primena:

Disc Harrows
Tanjirače

AGRO POINT HUB
AGRO POINT GLAVČINA

IL50 with solid forged holder
IL50 sa čvrstim kovanim nosačem

C = 60 kN
Co = 45.8 kN



Designation/Oznaka	J	D	D ₁	C	C ₁	M	H/T	H	H ₂	N	L	L ₁	R	β	kg	Fig./SL
BDM ARMOR 2.0	120	145	45	55	40	M27x2	6xM12x1.75	68	137.7	17	131.2	62.2	635	63	6.08	1
IL50-98/4T-44	98	117	-	55	40	M27x2	4xM12x1.25	81.8	137.7	17	128	59	-	63	2.50	2

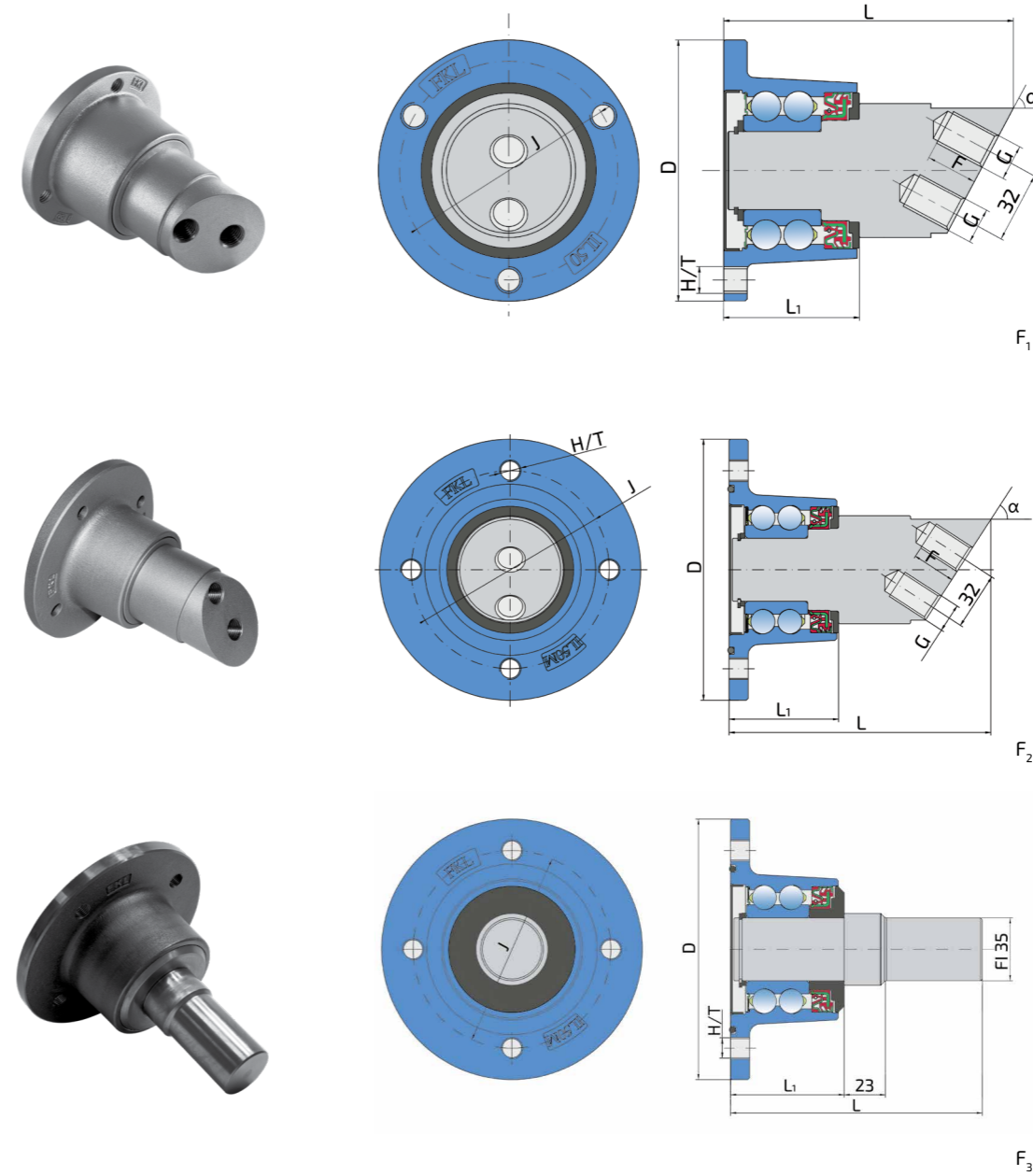
Typical Applications:
Potencijalno mesto ugradnje i primena:

Disc Harrows
Tanjirače

AGRO POINT HUB
AGRO POINT GLAVČINA

IL50S

C = 48,76 kN
C₀ = 35,5 kN



Designation/Oznaka	J	D	H/T	G	L	L ₁	F	α	kg	Fig./SL
IL50S-98/3T-2xM16	98	117	3xM12	M16x2	130	59.8	23	62	3.40	1
IL50S-110/4T-D35	110	145	4xM12x1.25	-	140	63	-	-	3.32	3
IL50S-110/4T-2xM16-40	110	145	4xM12x1.25	M16x2	145.4	61	24	57	3.97	2

Typical Applications:
Potencijalno mesto ugradnje i primena:

Disc Harrows and Seeding Machines
Tanjirače i sejačice

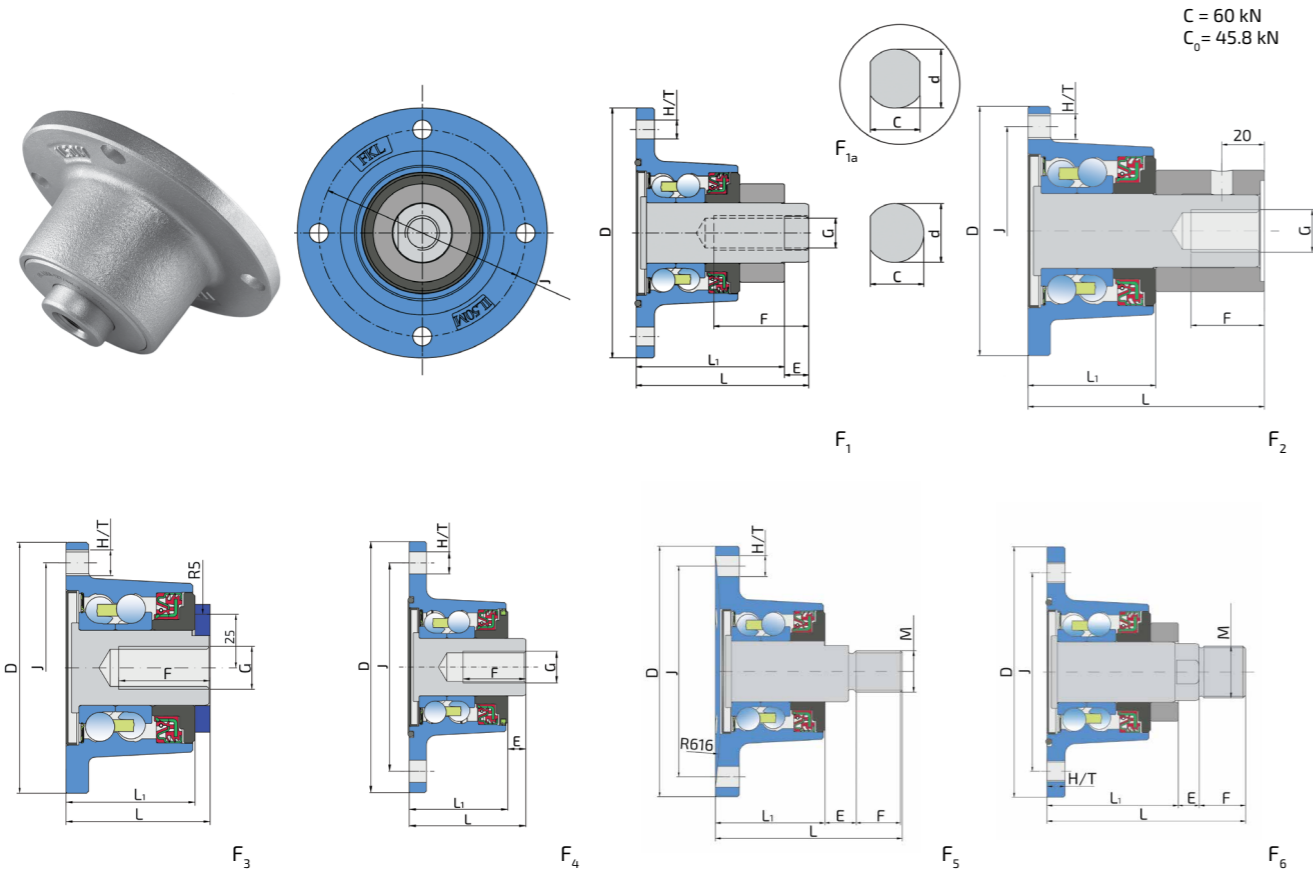


AGRO POINT HUB AGRO POINT GLAVČINA



AGRO POINT HUBS
AGRO POINT GLAVČINE

IL50A



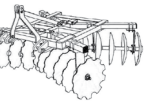
Designation/Oznaka	J	D	H/T	d	d ₁	C	M	G	L	L ₁	E	F	kg	Fig./Sl.
IL50A-98/3T-M20-10.2 *	98	117	3xM12	-	-	-	-	M20	111	60	-	32	3.19	2
IL50A-98/3T-M20-R5 *	98	117	3xM12	35	32.5	-	-	M20	67	60	-	42	2.34	3
IL50A-115/4T-M30x1.5	115	145	4xM12x1.25	33	30	M30x1.5	-	-	115	76	12	27	3.27	6
IL50A-120/4H-M24	120	145	4x11	34	28	-	-	M24	100	60	14	55	3.17	1a
IL50A-120/4H-M24-95	120	145	4x11	34	28	-	-	M24	95	60	9	50	3.15	1a
IL50A-120/4H-M20	120	145	4x11	34	31	-	-	M20	100	60	14	55	3.23	1
IL50A-122/6H-M24x2-R616 *	122	145	6x12	35	32.5	M24x2	-	-	107.7	63.2	18	26.5	3.01	5
IL50A-127/4H-3/4-16UNF	127	153	4x13.5	34.9	31	-	-	3/4"-16UNF	71	60	11	40	2.70	4

*Replacement for IL50S/Zamena za IL50S

Typical Applications:
Potencijalno mesto ugradnje i primena:

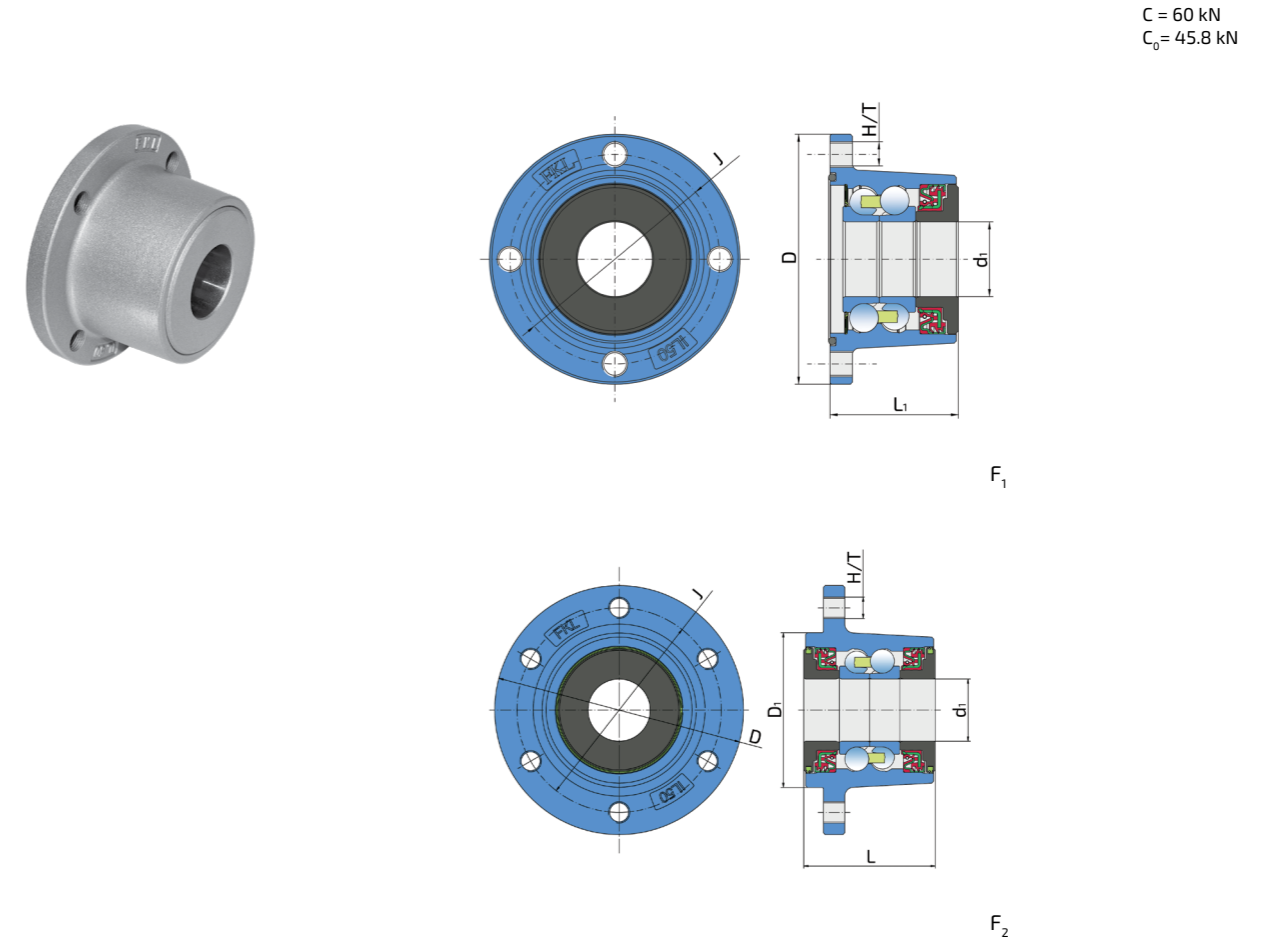
Disc Harrows, Seeding Machines and Manure Handling Machines
Tanjirače, sejačice i mašine za đubrenje

AGRO POINT HUB AGRO POINT GLAVČINA



AGRO POINT HUBS
AGRO POINT GLAVČINE

IL50A without shaft
IL50A without shaft

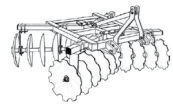


Designation/Oznaka	J	D	D ₁	H/T	d ₁	L	L ₁	kg	Fig./Sl.
IL50A-98/4T-B35-J	98	117	-	4xM12x1.25	35	-	60	1.77	1
IL50A-115/6T-B35	115	140	87	6xM12x1.25	35	74	63	2.89	2

Typical Applications:
Potencijalno mesto ugradnje i primena:

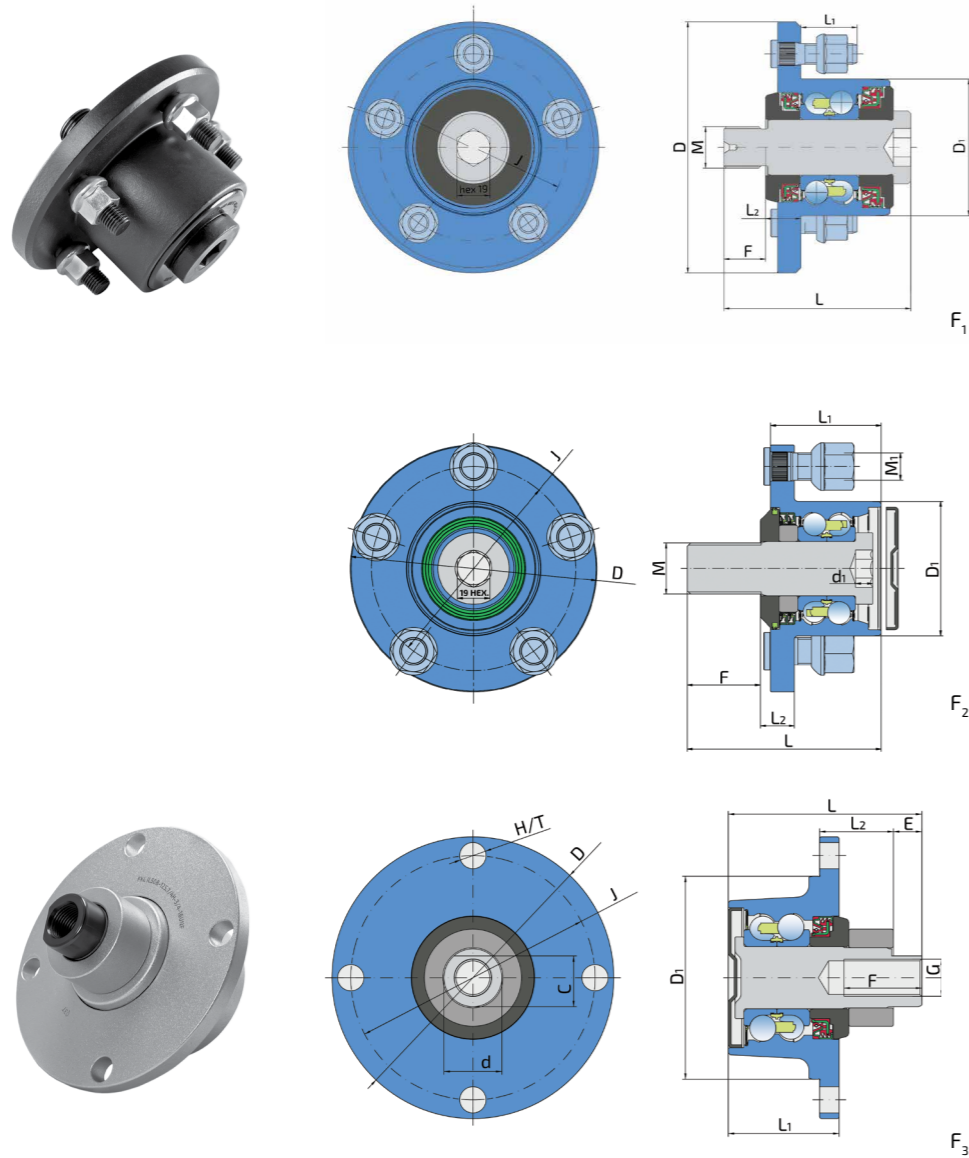
Disc Harrows and Manure Handling Machines
Tanjirače i mašine za đubrenje

AGRO POINT HUB
AGRO POINT GLAVČINA



AGRO POINT HUBS
AGRO POINT GLAVČINE

IL50B



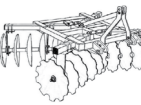
C = 60 kN
C₀ = 45.8 kN

Designation/Oznaka	J	D	D ₁	H/T	d	C	M	G	L	L ₁	L ₂	E	F	kg	Fig./Sl.
IL50B-108/5T-M24x2-RH	108	145	79	5xM12x1.5	-	-	M24x2-RH	-	108	32.5	20.5	-	24	3.99	1
IL50B-108/5T-M24x2-LH	108	145	79	5xM12x1.5	-	-	M24x2-LH	-	108	32.5	20.5	-	24	3.99	1
IL50B-120/5T-M30x2	120	145	79	5xM16x1.5	-	-	M30x2	-	114	65	20	-	43	4.16	2
IL50B-125.7/4H-3/4-16UNF	125.7	145	104.5	4x13.5	29.75	26.1	-	3/4"-16UNF	99.6	57	38	14.6	40	3.25	3

Typical Applications:
Potencijalno mesto ugradnje i primena:

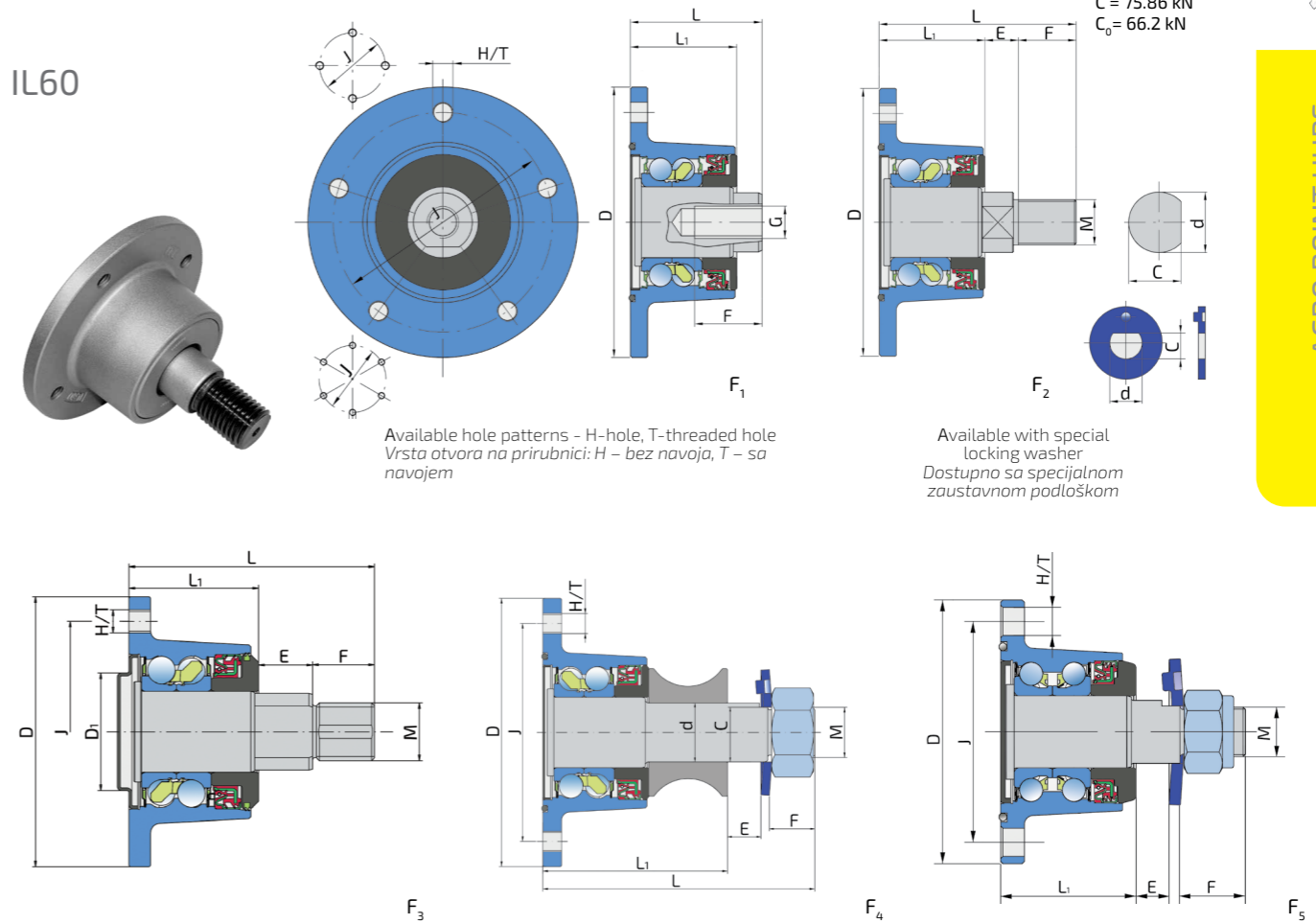
Disc Harrows, Trailed Track Systems and Manure Handling Machines
Tanjirače, guseničari i mašine za đubrenje

AGRO POINT HUB
AGRO POINT GLAVČINA



AGRO POINT HUBS
AGRO POINT GLAVČINE

IL60



C = 75.86 kN
C₀ = 66.2 kN

Available hole patterns - H-hole, T-threaded hole
Vrsta otvora na priborici: H - bez navoja, T - sa navojem

Available with special locking washer
Dostupno sa specijalnom zaustavnom podloškom

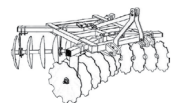
Designation/Oznaka	J	D	D ₁	H/T	d	C	M	G	L	L ₁	L ₂	E	F	kg	Fig./Sl.
IL60-00-M20x1.5*	-	160	-	blank	34.9	31	-	M20x1.5	78	63	-	40	4.20	1	
IL60-114.5/5T-M30	114.5	140	61	5xM12	39.8	34.5	M30	-	127	67	28	32	3.91	3	
IL60-120/4H-M20*	120	160	-	4x11	34	31	-	M20	96	82	-	14	4.35	1	
IL60-122/6H-M24	122	160	-	6x12	35	32.5	M24x2	-	106.5	63	16.5	27	4.20	2	
IL60-127/4T-1-1/4"	127	160	-	4x1/2-13 UNC	36	33.5	M27x2	-	129.5	63	34.3	32.2	4.08	2	
IL60-120/4x12.5H-M20*	120	160	-	4x12.5	34	31	-	M20	96	82	-	57.5	4.38	1	
IL60-130/6T-M20x1.5	130	160	-	6xM12x1.25	34.9	31	-	M20x1.5	82	63	-	40	3.72	1	
IL60-130/6T-M24	130	160	-	6xM12x1.25	30	28	M24x2	-	117.5	63	24.5	33.5	4.10	2	
IL60-130/6T-M27	130	160	-	6xM12x1.25	36	33.5	M27x2	-	117.5	63	21	33.5	4.40	2	
IL60-130/6T-M27-44	130	160	-	6xM12x1.25	35	32.5	M27x2	-	120	63	25	25.7	4.32	5	
IL60-130/6T-M27x2-122.5	130	160	-	6xM12x1.25	36	33.5	M27x2	-	122.5	63	25	34.5	4.45	2	
IL60-130/6T-M30-03	130	160	-	6xM12x1.25	40	37	M30x1.5	-	124	63	32	29	4.40	2	
IL60-130/6T-M30-04	130	160	-	6xM12x1.25	35	32.5	M30x1.5	-	162	110	20	27.01	5.54	4	
IL60-130/6T-M30-112-03	130	160	-	6xM12x1.25	40	37	M30x1.5	-	112	63	20	29	4.40	2	
IL60-133/4H-3/4-16UNF	133.35	160	-	4x13.5	31	34.9	-	3/4"-16UNF	78	63	-	40	4.10	1	
IL60-140/5T-M27	140	160	-	5xM12x1.25	36	33.5	M27x2	-	117.5	63	21	33.5	4.40	2	
IL60-140/5H-M30	140	160	-	5x13	35	32.5	M30x1.5	-	110.5	63	19.5	26	4.30	2	
IL60-140/5H-M30-44	140	160	-	5x13	35	32.5	M30x1.5	-	110.5	63	16	26.5	4.32	2	
IL60-140/6T-M27	140	160	-	6xM12x1.25	36	33.5	M27x2	-	117.5	63	21	33.5	4.40	2	
IL60-140/6T-M30	140	160	-	M12x1.5	35	32.5	M30x1.5	-	110.5	63	24.8	22.7	3.97	2	
IL60-150/6T-M24x2	150	178	-	6xM12x1.25	30	28	M24x2	-	121	63	20.5	37.5	4.57	1	
IL60-150/6T-M30	150	178	-	6xM12x1.25	35	32.5	M30x2	-	126.5	63	23.5	40	4.57	2	
IL60-150/6T-M33-04	150	180	-	6xM12x1.25	40	37	M33x2	-	116.5	63	20	30	4.94	2	

*C = 66.35 kN; Co = 56.49 kN

Typical Applications:
Potencijalno mesto ugradnje i primena:

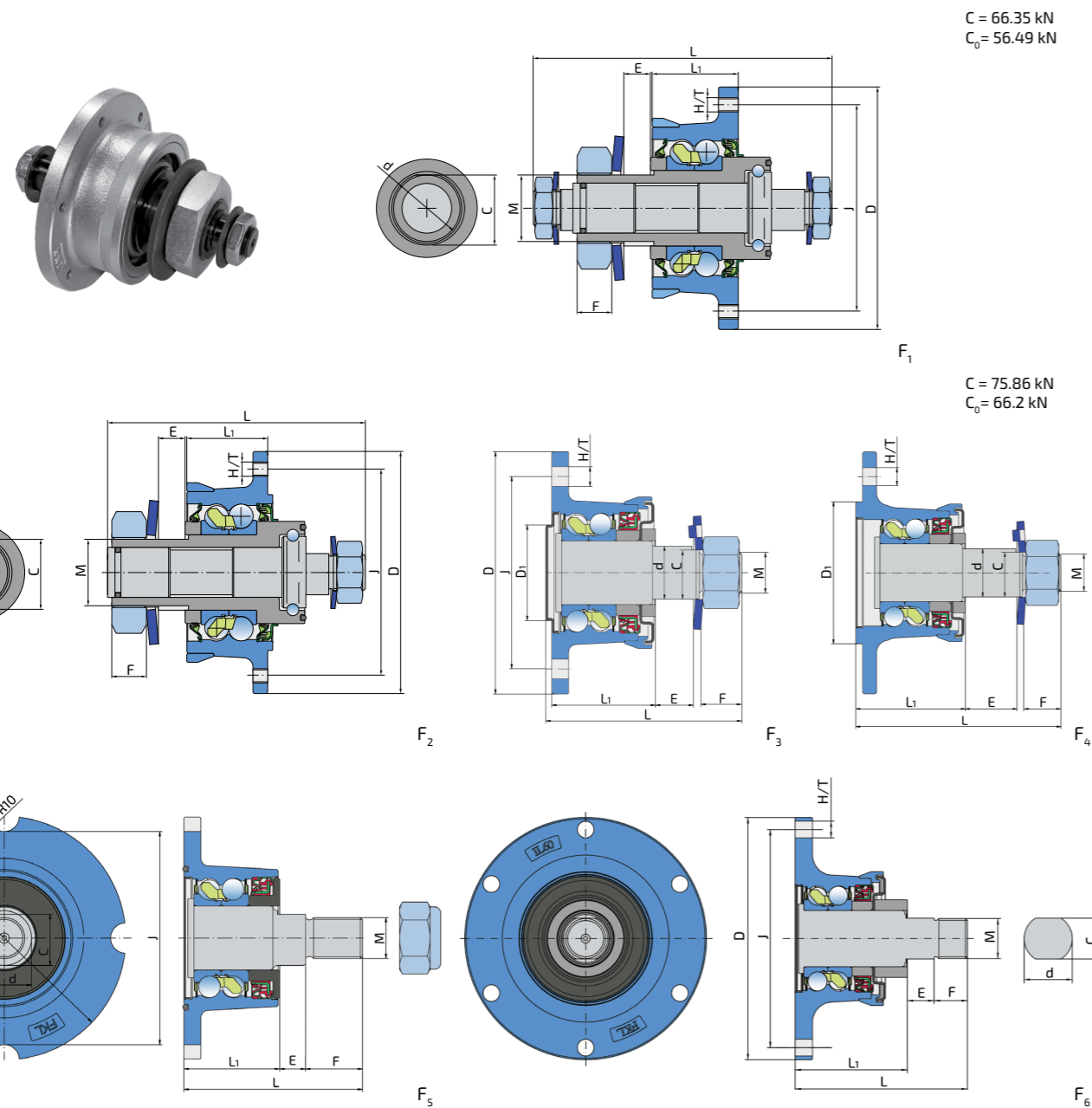
Disc Harrows, Seeding Machines and Manure Handling Machines
Tanjirače, sejačice i mašine za đubrenje

AGRO POINT HUB AGRO POINT GLAVČINA



AGRO POINT HUBS
AGRO POINT GLAVČINE

IL60 with special design
IL60 sa specijalnom konstrukcijom

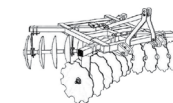


Designation/Oznaka	J	D	H/T	d	C	M	L	L ₁	E	F	kg	Fig./Sl.
IL60-115/6T-M20	115	135	6xM8	42	39.5	M39x1.5	167	48	15	26	4.21	1
IL60-115/8T-M39-M20	115	135	8xM10x1.5	42	39.5	M39x1.5	157	47.9	15	26	4.07	2
IL60-127/4H-04	127	160	4x13	41	32.5	M27x2	129.5	68.5	25	28	4.61	3
IL60-140/5H-04	140	176	5x13	35	32.5	M27x2	149	79.5	37.5	28	5.21	4
IL60-140-R10-M27+M27x2	140	160	-	36	33.5	M27x2	117.5	63	17	37.5	4.15	5
IL60-163/6H-M30	163	181	6x12.5	36	30.5	M30x1.5	129	84	20	25	5.42	6

Typical Applications:
Potencijalno mesto ugradnje i primena:

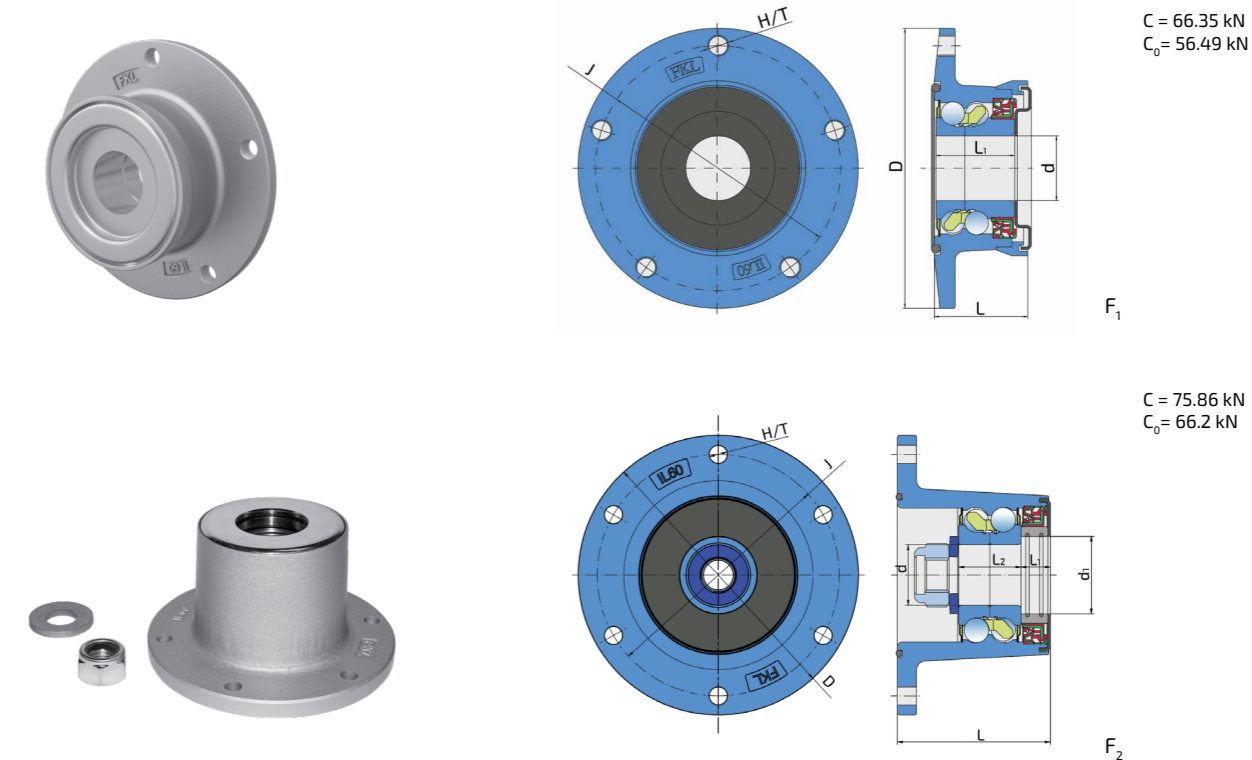
Disc Harrows and Seeding Machines
Tanjirače i sejačice

AGRO POINT HUB AGRO POINT GLAVČINA



AGRO POINT HUBS
AGRO POINT GLAVČINE

IL60 without shaft
IL60 bez osovine



Designation/Oznaka	J	D	H/T	d	d ₁	L	L ₁	L ₂	kg	Fig./Sl.
IL60-140/5T-B37*	140	160	5xM12x1.25	37	-	53.4	45	-	3.41	1
IL60-140/6H-B35	140	162	6x10.5	35	45	88.5	17	36	3.86	2

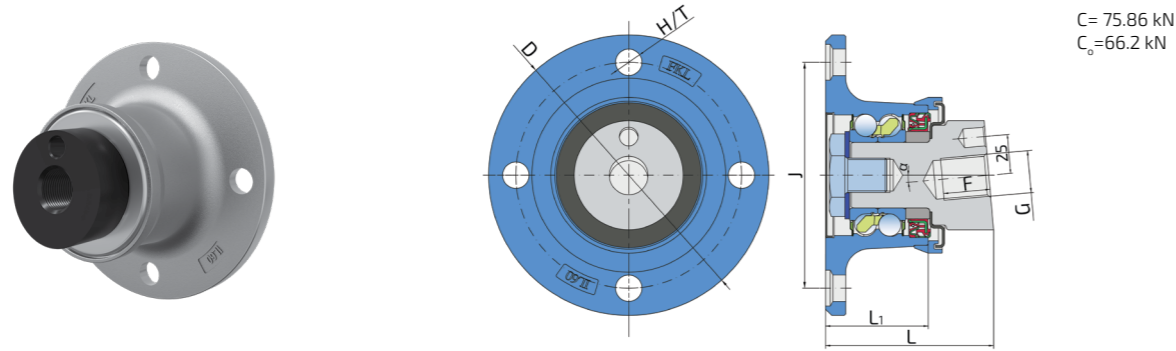
*Adaptable IL60 for disc angle change/Prilagodljiva IL60 glavčina sa promenom ugla diska

Typical Applications:
Potencijalno mesto ugradnje i primena:

Disc Harrows and Seeding Machines
Tanjirače i sejačice

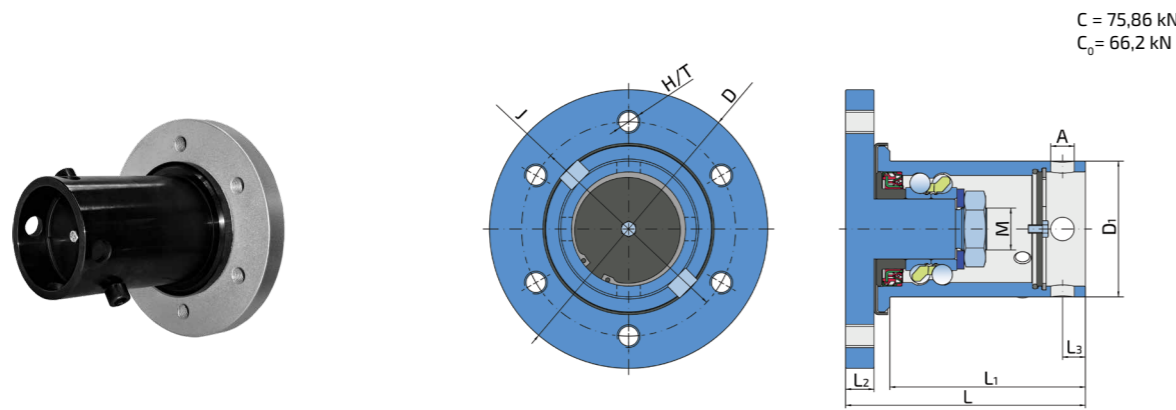
AGRO POINT HUB AGRO POINT GLAVČINA

Adaptable IL60 for disc angle change
Prilagodljiva IL60 glavčina sa promenom ugla diska



Designation/Oznaka	J	D	H/T	G	L	L ₁	F	α	kg
IL60-145/4H-M27x2-RH-40	145	180	4x17	M27x2-7H-R	108	66	30	5°	5.48
IL60-145/4H-M27x2-LH-40	145	180	4x17	M27x2-7H-L	108	66	30	5°	5.48

IL60C



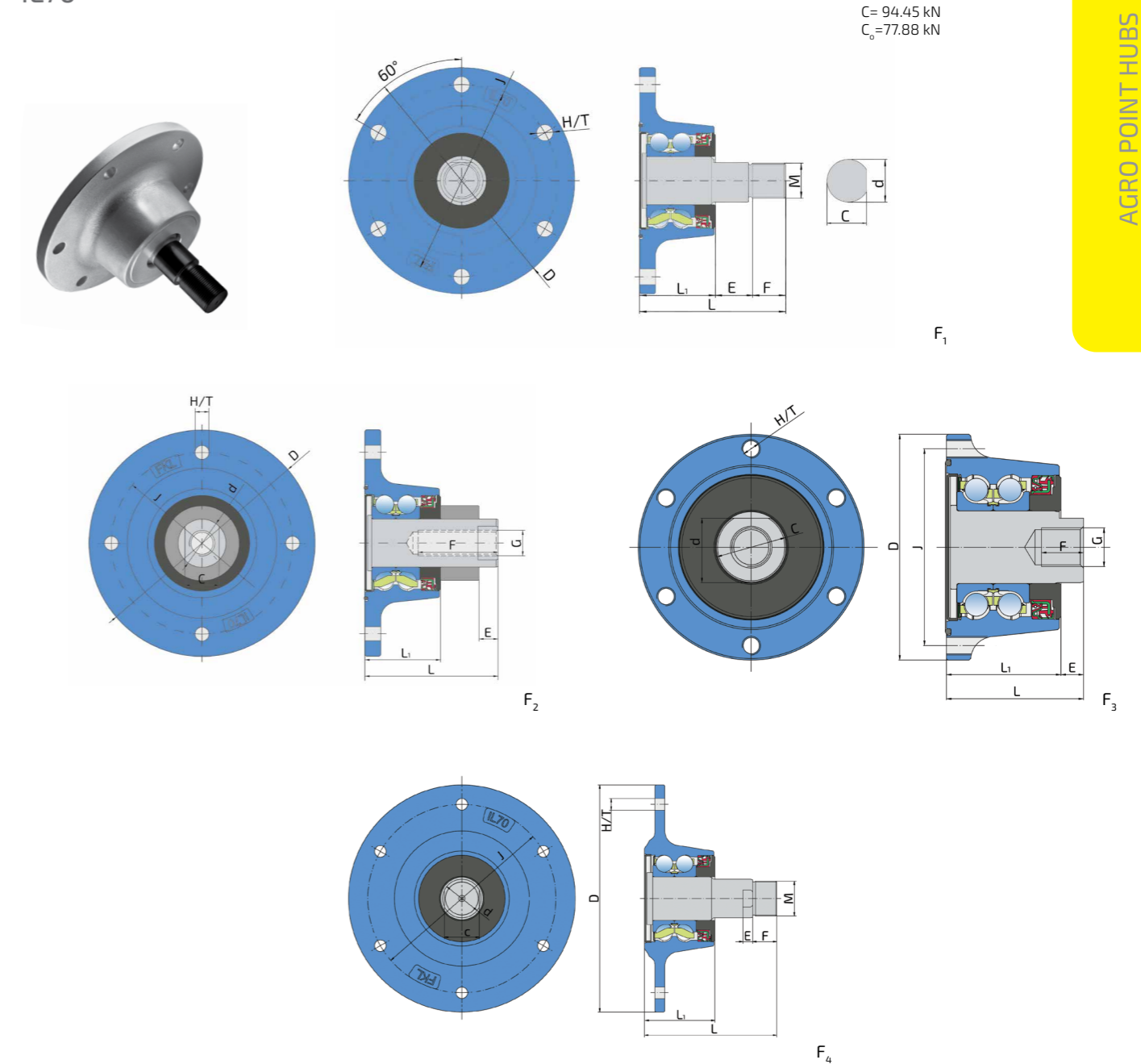
Designation/Oznaka	J	D	D ₁	H/T	M	L	L ₁	L ₂	L ₃	A	kg
IL60C-150/6T-D95-RH	150	195	95	6xM16	M30x1.5-RH	168	137	20	16	4x16.5	9.74
IL60C-150/6T-D95-LH	150	195	95	6xM16	M30x1.5-LH	168	137	20	16	4x16.5	9.74

Typical Applications:
Potencijalno mesto ugradnje i primena:

Disc Harrows
Tanjirače

AGRO POINT HUB AGRO POINT GLAVČINA

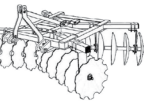
IL70

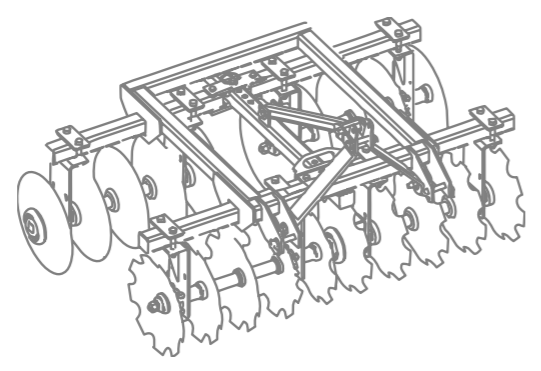


Designation/Oznaka	J	D	d	C	H/T	M	G	L	L ₁	E	F	kg	Fig./Sl.
IL70-122/6T-M24	122	140	44	40	6xM12	-	M24x2	85	71	14	26	4.80	3
IL70-170/4H-M24	170	212	45	32	4x13	-	M24	125	71	18	75	8.13	2
IL70-170/6H-M33x2	170	212	40	37	6x18	M30x2	-	125	71	19	35	7.55	1
IL70-180/6H-M33x2	180	212	40	37	6x15	M30x2	-	137	71	31	32	7.96	1
IL70-195/6H-M36x1.5-RH	195	235	40	36	6x12	M36x1.5-RH	-	137	72	10	25	7.43	4
IL70-195/6H-M36x1.5-LH	195	235	40	36	6x12	M36x1.5-LH	-	137	72	10	25	7.43	4

Typical Applications:
Potencijalno mesto ugradnje i primena:

Disc Harrows and Hemp Machines
Tanjirače i hederi za konoplju

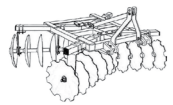




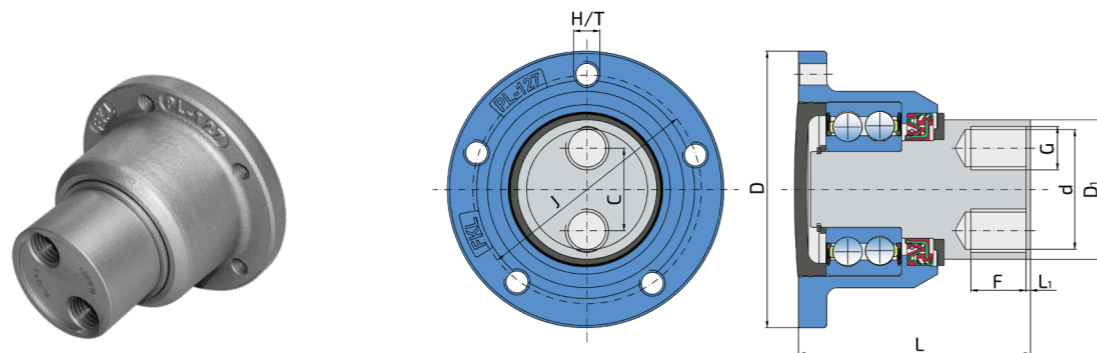
Disc Harrow Solutions
Ležajevi i ležajne jedinice tanjirače

Bearing Units

Ležajne jedinice

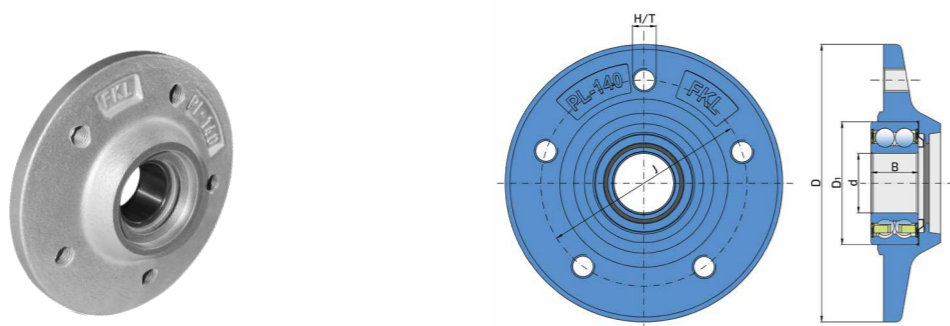


PL-127-G



Designation/Oznaka	J	D	D ₁	d	d ₁	H/T	G	L	L ₁	F	kg
PL-127-G	106	127.3	64.2	55.7	38	M12	2xM20	106.5	2	25	3.81

PL-140



Designation/Oznaka	J	D	D ₁	d	H/T	L	B	kg
PL-140	104	140	62	30	M12	35	23.8	1.50

Typical Applications:
Potencijalno mesto ugradnje i primena:

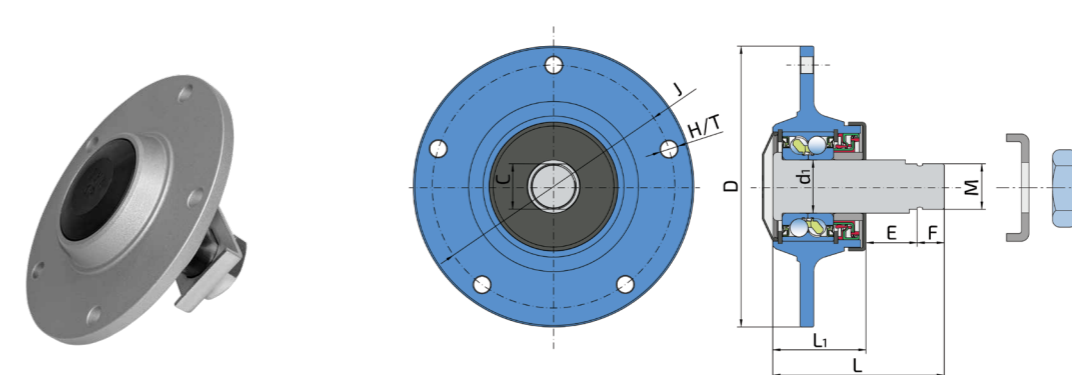
Disc Harrows and Seeding Machines
Tanjirače i sejačice

Bearing Units

Ležajne jedinice

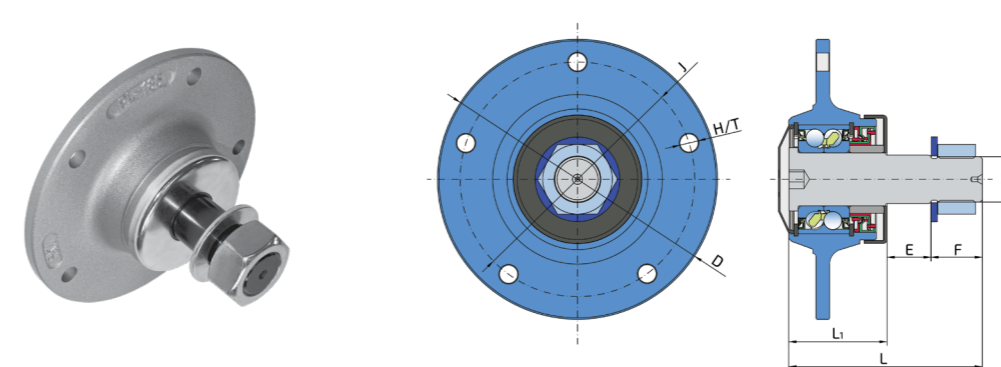


PL-185-M30-R+M30x1.5-RH(LH)



Designation/Oznaka	D	d ₁	C	J	H/T	L	L ₁	E	F	M	kg
PL-185-M30-R+M30x1.5	185	35	30	160	12	113	61.6	28.4	23	M30x1.5-RH	3.92
PL-185-M30-L+M30x1.5-LH	185	35	30	160	12	113	61.6	28.4	23	M30x1.5-LH	3.92

PL-185-155/5H-M30x1.5-RH(LH)



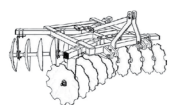
Designation/Oznaka	D	d ₁	C	J	H/T	L	L ₁	E	F	M	kg
PL-185-155/5H-M30x1.5	155	-	-	185	5x12	128	65	30	34	M30x1.5-RH	4.23
PL-185-155/5H-M30x1.5-LH	155	-	-	185	5x12	128	65	30	34	M30x1.5-LH	4.23

Typical Applications:
Potencijalno mesto ugradnje i primena:

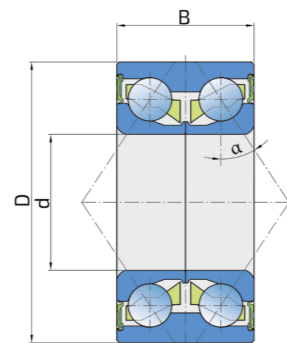
Disc Harrows
Tanjirače

Double Row Angular Contact Ball Bearings

Dvoredni kuglični ležajevi sa kosim dodirom

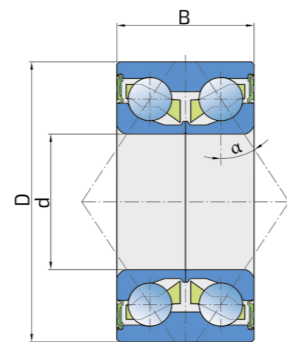
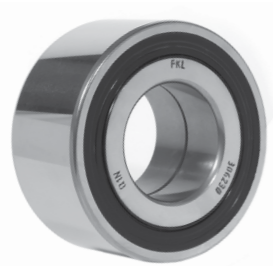


BW1-306037



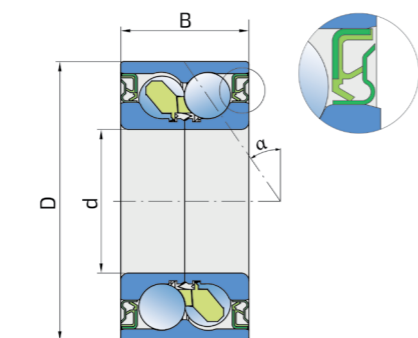
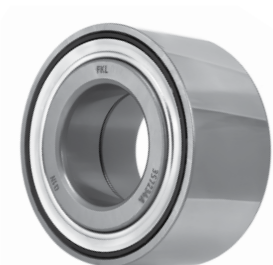
Designation/Oznaka	d	D	B	α	kg
BW1-306037	30	60.030	37	34°	0.47

306230



Designation/Oznaka	d	D	B	α	kg
306230	30	62	30	34°	0.39

357234A



Designation/Oznaka	d	D	B	α	kg
357234A	35	72	34	40°	0.54

Typical Applications:
Potencijalno mesto ugradnje i primena:

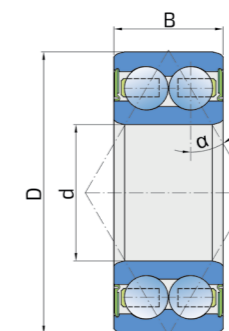
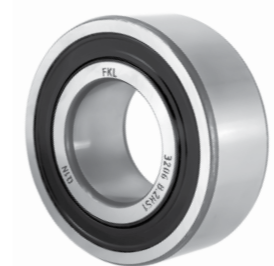
Disc Harrows
Tanjirače

Double Row Angular Contact Ball Bearings

Dvoredni kuglični ležajevi sa kosim dodirom

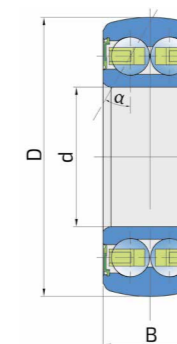
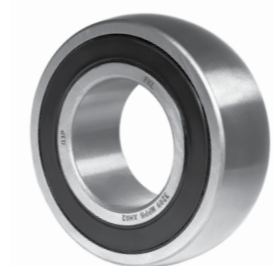


3206 B.2RS1



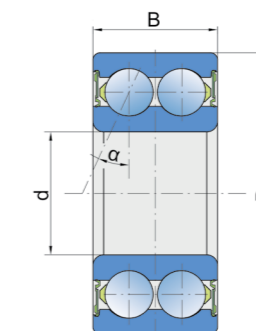
Designation/Oznaka	d	D	B	α	kg
3206 B.2RS1	30	62	23.8	30°	0.29

3209 NPPB.AH02



Designation/Oznaka	d	D	B	α	kg
3209 NPPB.AH02	45	90	30.2	30°	0.63

3307 B.2RS1



Designation/Oznaka	d	D	B	α	kg
3307 B.2RS1	35	80	34.9	25°	0.70

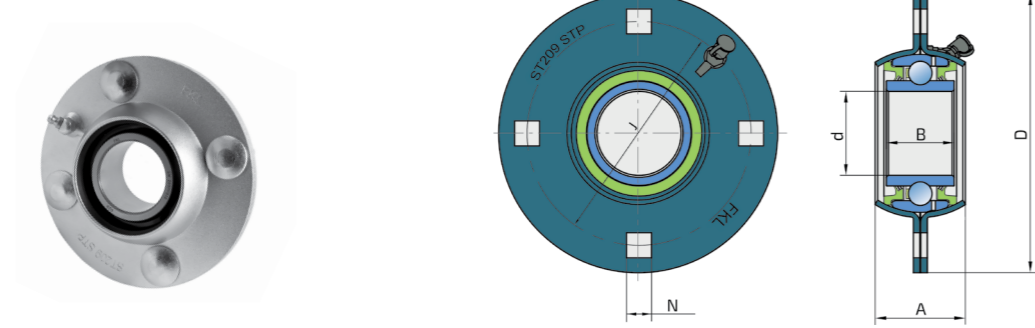
Typical Applications:
Potencijalno mesto ugradnje i primena:

Disc Harrows
Tanjirače

Bearing Units with Pressed Steel Housing

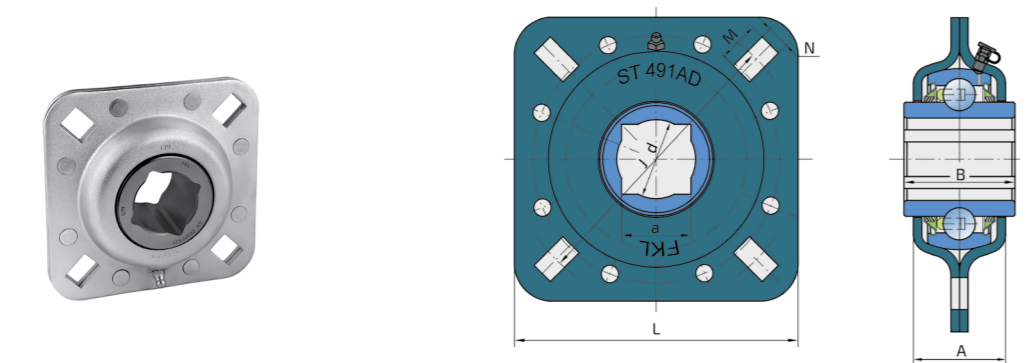
Ležajne jedinice sa limenim kućištem

GWST 209PPB13



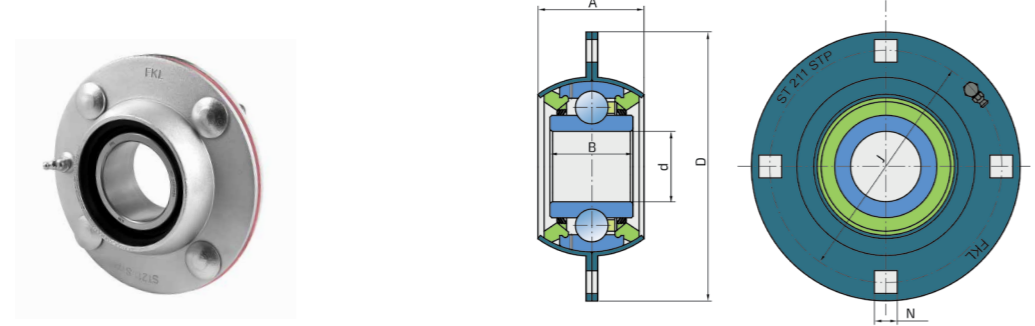
Designation/Oznaka	a	d	D	J	A	B	N	kg
GWST 209PPB13	-	45.24	150	120.5	48.5	36.53	13.5	1.84

GWST 209PPB29



Designation/Oznaka	a	d	J	L	A	B	M	N	kg
GWST 209PPB29	32.8	35.5	127	127	39	42.85	17.5	13.5	1.63

GWST 211PPB20



Designation/Oznaka	d	D	J	A	B	N	kg
GWST 211PPB20	55.7	167	138	56.5	39.7	13.5	2.71

Typical Applications:
Potencijalno mesto ugradnje i primena:

Disc Harrows
Tanjirače

Bearing Units with Pressed Steel Housing

Ležajne jedinice sa limenim kućištem

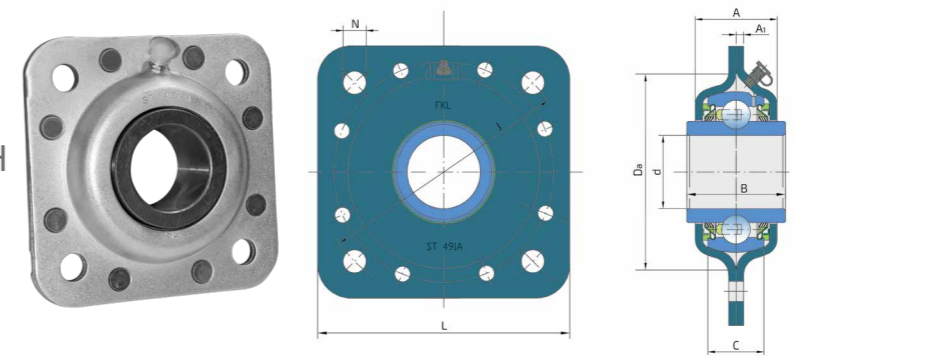
GWST 209PPB12 *ZN

GWST 209PPB39

GWST 209PPB40

GWST 211PPB15

GWST 211PPB15.H

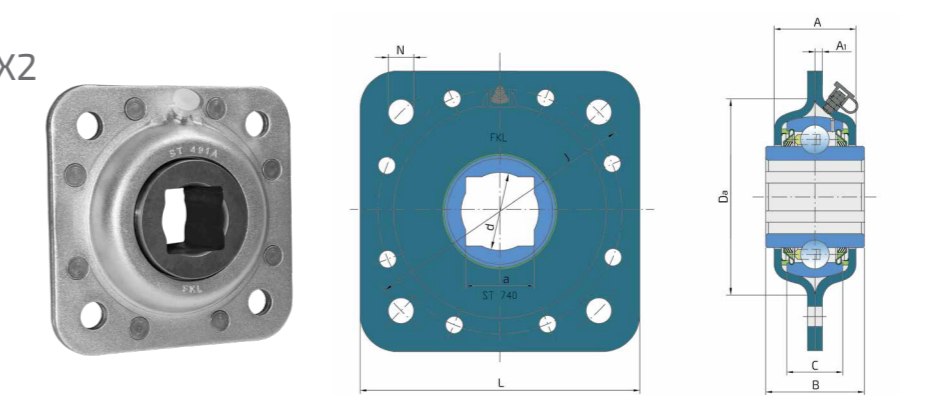


Designation/Oznaka	d	B	A	A ₁	C	D _a	L	J	N	kg
GWST 209PPB12 *ZN	44.83	42.85	39	3.5	22	97	127	127	13.5	1.51
GWST 209PPB39	38.7	42.85	39	3.5	22	97	127	127	13.5	1.63
GWST 209PPB40	40	42.85	39	3.5	22	97	127	127	13.5	1.62
GWST 211PPB15	55.58	55.55	44.7	4	25	113	140	140	13.5	2.05
GWST 211PPB15.H	55.58	55.55	44.7	4	25	113	140	140	13.5	2.05

GWST 209PPB32

GWST 211PPB40

GWST 211PPB40.X2



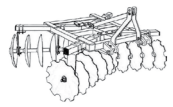
Designation/Oznaka	a	d	B	A	A ₁	C	D _a	L	J	N	kg
GWST 209PPB32	30	32	45	39	3.5	22	97	127	127	13.5	1.77
GWST 211PPB40	40.5	45.5	45	44.7	4	25	113	140	140	13.5	2.25
GWST 211PPB40.X2	35	38	55.5	44.7	4	25	113	140	140	13.5	2.65

Typical Applications:
Potencijalno mesto ugradnje i primena:

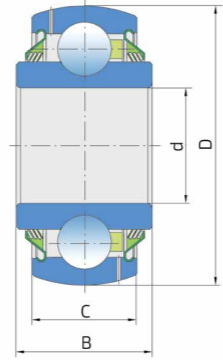
Disc Harrows
Tanjirače

Ball Bearings

Kuglični ležajevi

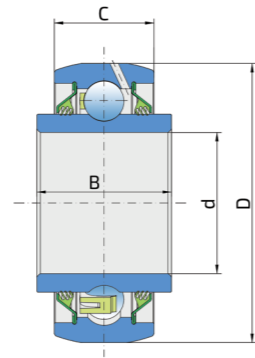


GW 209PPB12



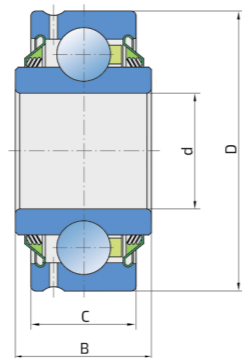
Designation/Oznaka	d	D	B	C	kg
GW 209PPB12	44.831	85	42.85	22	0.68

GW 209PPB30



Designation/Oznaka	d	D	B	C	kg
GW 209PPB30	44.958	88.7	42.86	31.75	0.92

GW 211PP202



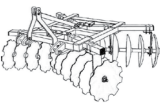
Designation/Oznaka	d	D	B	C	kg
GW 211PP202	51.308	100	60.3	33.34	1.11

Typical Applications:
Potencijalno mesto ugradnje i primena:

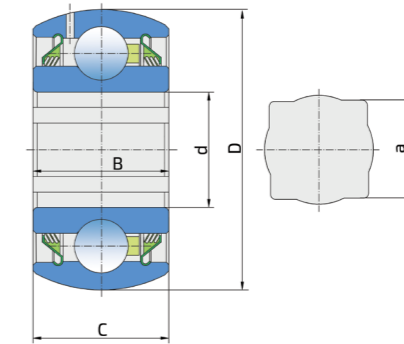
Disc Harrows
Tanjirače

Ball Bearings

Kuglični ležajevi

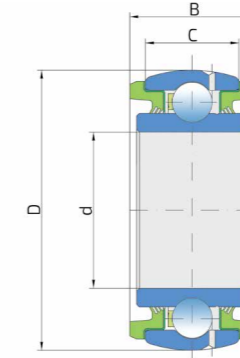


GW 211PPB3



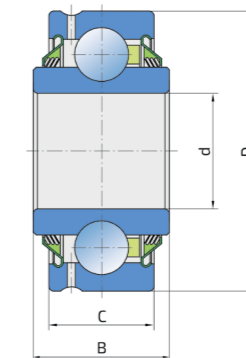
Designation/Oznaka	a	d	D	B	C	kg
GW 211PPB3	38.9	55.7	100	33.34	33.4	1.21

GW 211PPB20



Designation/Oznaka	d	D	B	C	kg
GW 211PPB20	55.7	100	44.6	33.4	1.00

GW 211PP25

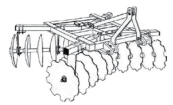


Designation/Oznaka	d	D	B	C	kg
GW 211PP25	45.212	100	44.5	33.34	1.11

Typical Applications:
Potencijalno mesto ugradnje i primena:

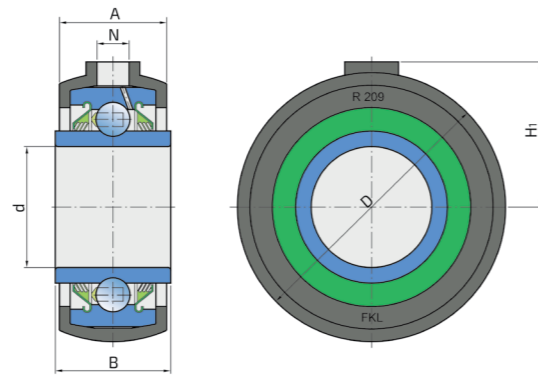
Disc Harrows
Tanjirače

Rubberized Bearing Units
Gumirane ležajne jedinice



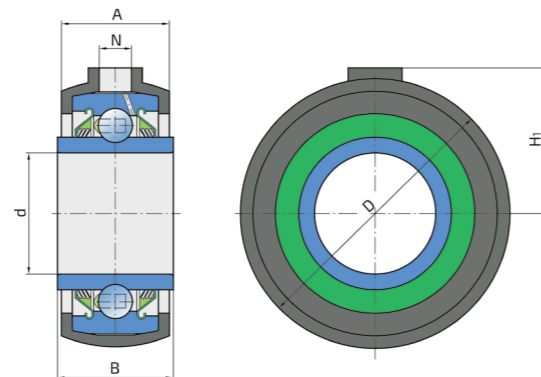
Disc Harrow Solutions
Ležajevi i lež. jed. tanjirače

GWR 209PPB30



Designation/Oznaka	d	D	A	B	H ₁	N	kg
GWR 209PPB30	44.958	101	40	42.86	54	12.7	0.92

GWR 211PPB21

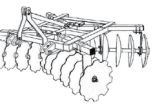


Designation/Oznaka	d	D	A	B	H ₁	N	kg
GWR 211PPB21	45.212	113	44.7	53.975	60.5	12.7	1.62

Typical Applications:
Potencijalno mesto ugradnje i primena:

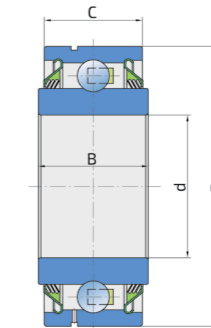
Disc Harrows
Tanjirače

Ball Bearings
Kuglični ležajevi



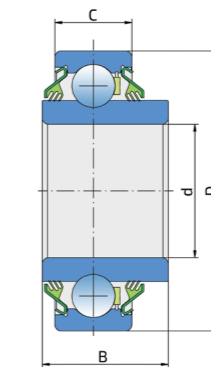
Disc Harrow Solutions
Ležajevi i lež. jed. tanjirače

SBX 1227



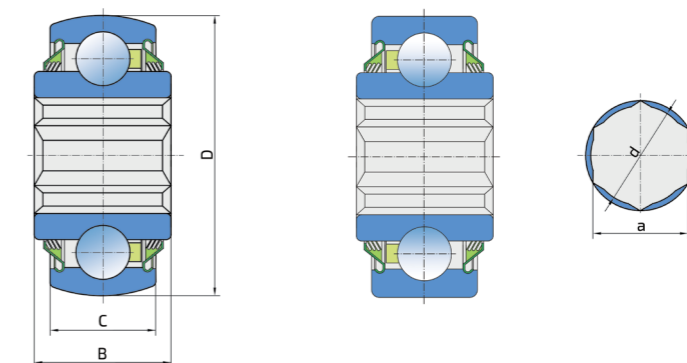
Designation/Oznaka	d	D	B	C	kg
SBX 1227	55.562	110	55.562	38.3	1.80

W208KPP53



Designation/Oznaka	d	D	B	C	kg
W208KPP53	38.1	80	36	22	0.54

W 208PPB16
W 208PP16



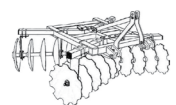
Designation/Oznaka	a	d	D	B	C	kg
W 208PPB16	31.78	32.5	80	36.5	18	0.67
W 208PP16	31.78	32.5	80	36.5	18	0.67

Typical Applications:
Potencijalno mesto ugradnje i primena:

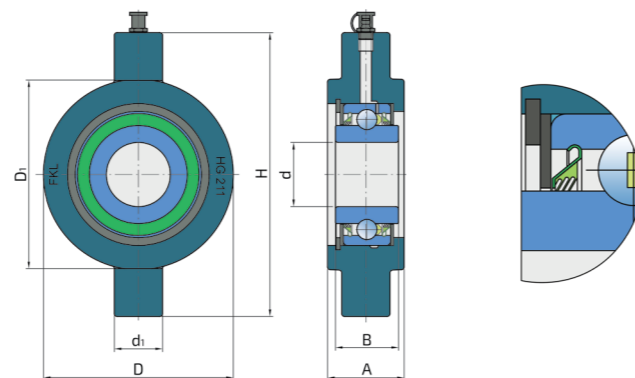
Disc Harrows
Tanjirače

Trunnion Bearing Units

Podesive ležajne jedinice

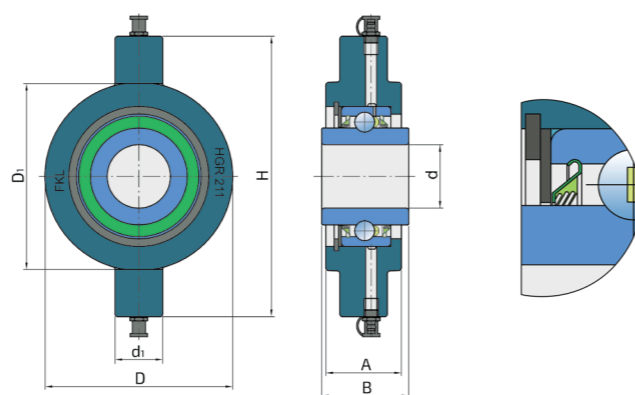


GWHG 211PP25



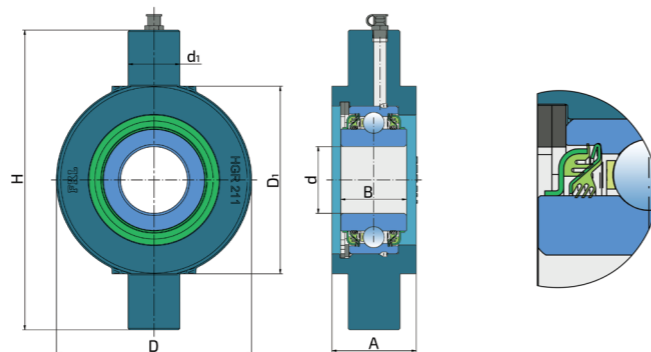
Designation/Oznaka	d	d ₁	D	D ₁	A	B	H	kg
GWHG 211PP25	45.212	34	134	132	54	44.5	200	4.88

GWHGR 211PP202



Designation/Oznaka	d	d ₁	D	D ₁	A	B	H	kg
GWHGR 211PP202	51.308	37	129.5	128.5	57	60.3	202.5	4.80

GWHGR 211-2TD-35

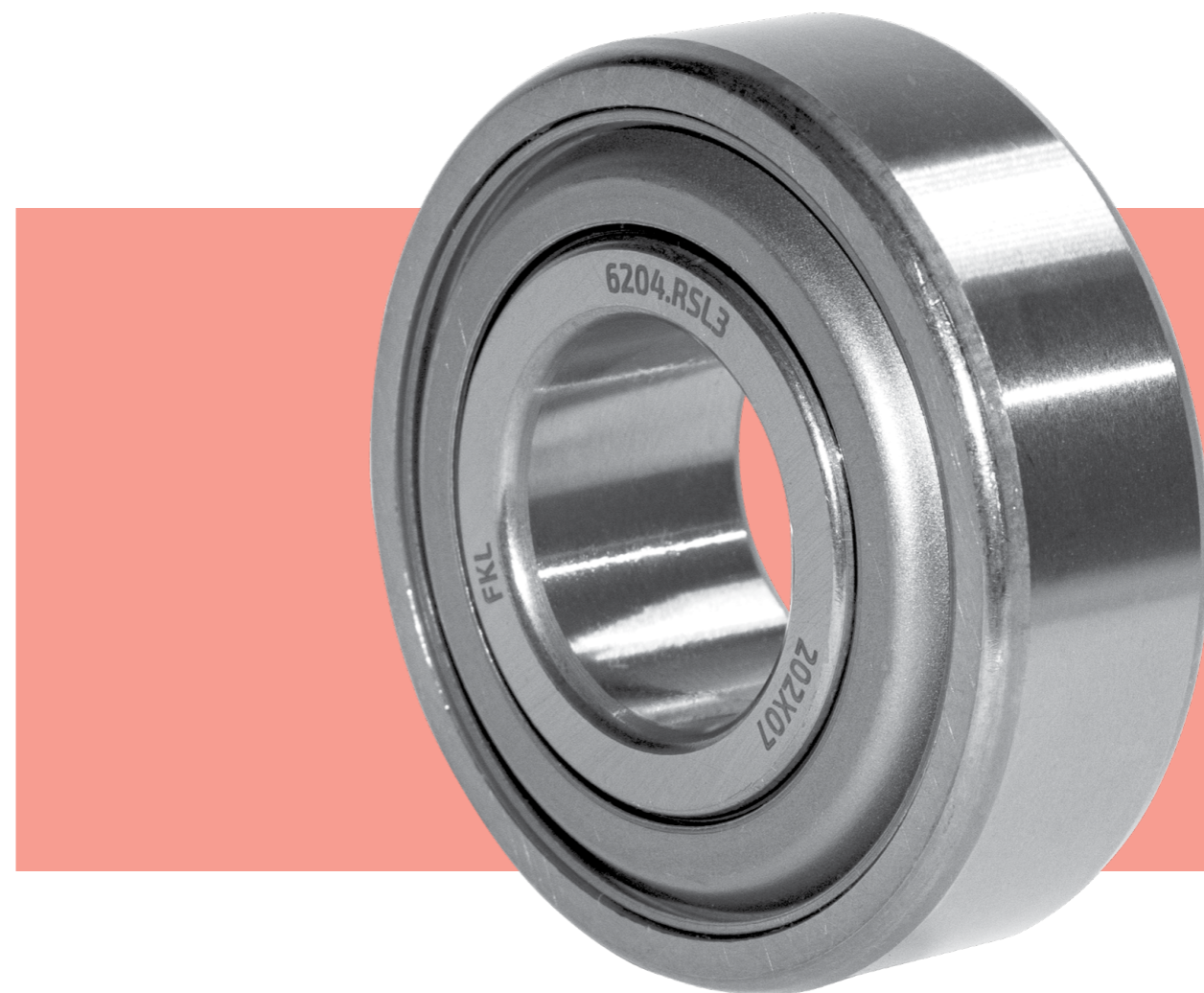


Designation/Oznaka	d	d ₁	D	D ₁	A	B	H	kg
GWHGR 211-2TD-35	45.212	35	132	127	57	44.5	203	4.46

Typical Applications:

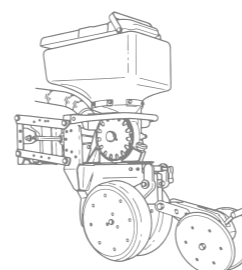
Potencijalno mesto ugradnje i primena:

Disc Harrows
Tanjirače



Seeding Machine Solutions

Ležajevi i ležajne jedinice sejačice

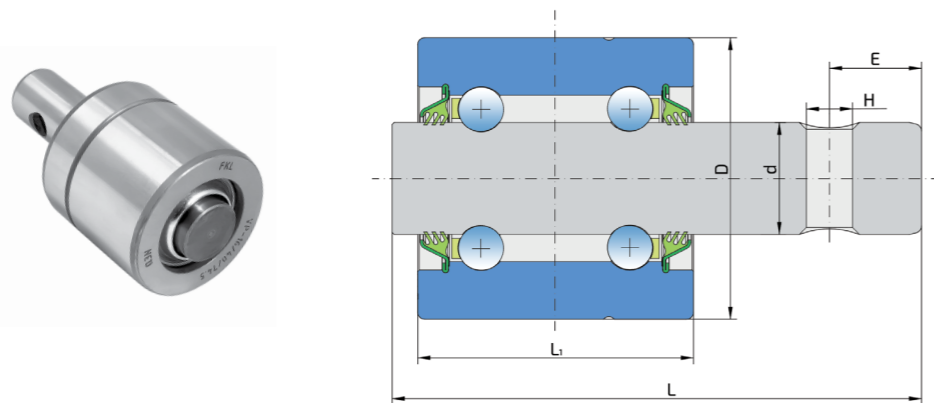


Double Row Ball Bearings with Shaft Dvoredni kuglični ležajevi sa osovnicom



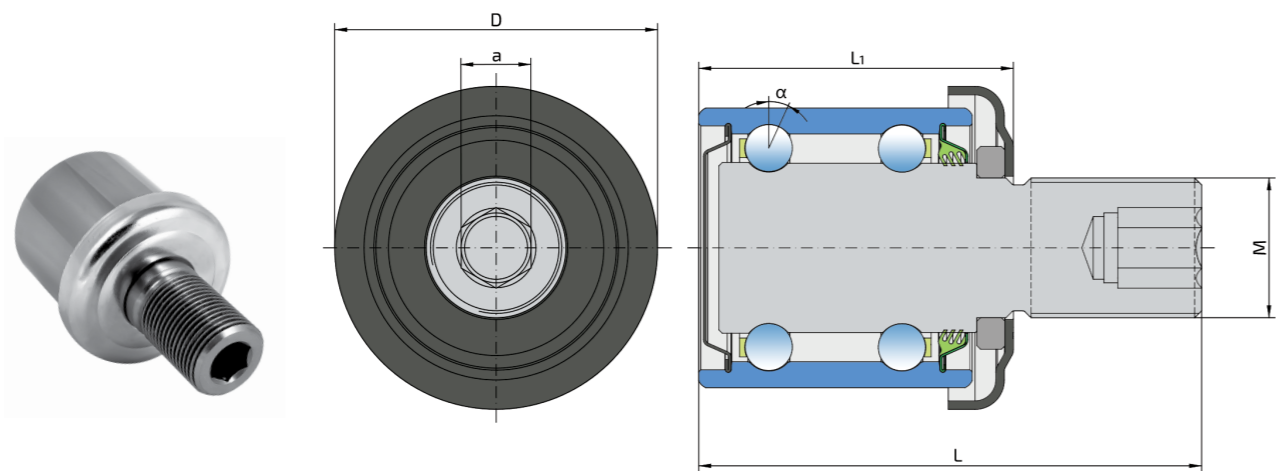
Seeding Machine Solutions
Ležajevi i ležajne jed. sejačice

VP-16/40/74.5



Designation/Oznaka	d	D	L	L ₁	H	E	kg
VP-16/40/74.5	15.918	40	74.5	38.9	6.5	12.95	0.36

VP-M20x1.5/40/72-R (L)



Designation/Oznaka	a	d	D	L	L ₁	M	α	kg
VP-M20x1.5/40/72-R(L)	10	24.2	40	72	44	M20x1.5	20°	0.37

Typical Applications:
Potencijalno mesto ugradnje i primena:

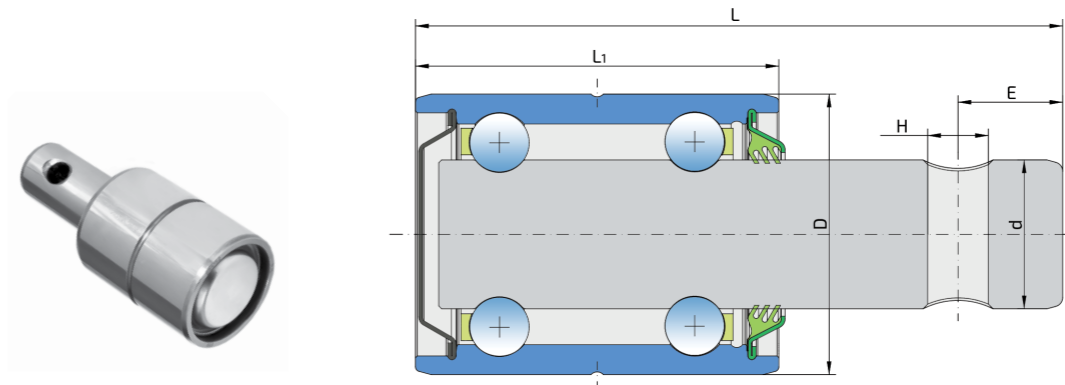
Seeding Machines
Sejačice

Double Row Ball Bearings with Shaft Dvoredni kuglični ležajevi sa osovnicom



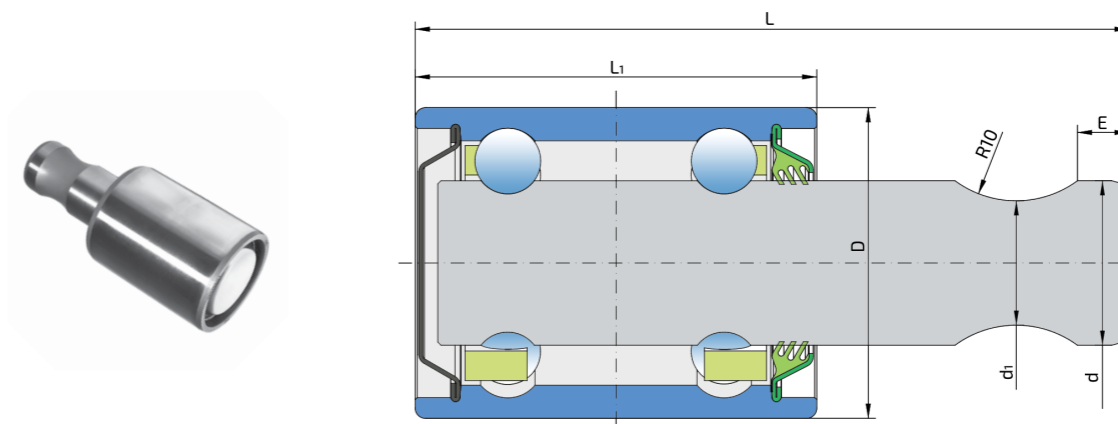
Seeding Machine Solutions
Ležajevi i ležajne jed. sejačice

885152



Designation/Oznaka	d	D	L	L ₁	H	E	kg
885152	15.918	30	69.3	38.9	6.5	11.2	0.18

885154B.1



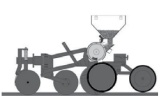
Designation/Oznaka	d	d ₁	D	L	L ₁	E	R	kg
885154B.1	15.88	12	30	69	38.8	5	10	0.18

Typical Applications:
Potencijalno mesto ugradnje i primena:

Seeding Machines
Sejačice

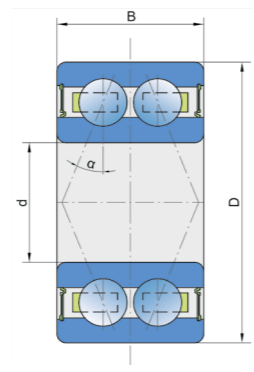
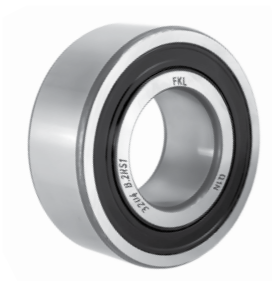
Double Row Angular Contact Ball Bearings

Dvoredni kuglični ležajevi sa kosim dodirom



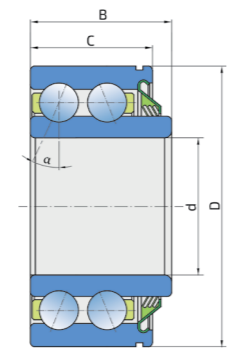
Seeding Machine Solutions
Ležajevi i ležajne jed. sejačice

3204 B.2RS1



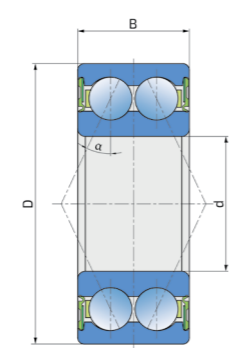
Designation/Oznaka	d	D	B	C	α	kg
3204 B.2RS1	20	47	20.6	-	25°	0.16

3204 T



Designation/Oznaka	d	D	B	C	α	kg
3204 T	20	47	25.2	22	25°	0.19

3205 B.2RS1



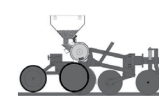
Designation/Oznaka	d	D	B	C	α	kg
3205 B.2RS1	25	52	20.6	-	25°	0.18

Typical Applications:
Potencijalno mesto ugradnje i primena:

Seeding Machines
Sejačice

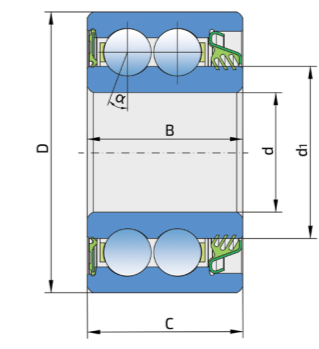
Double Row Angular Contact Ball Bearings

Dvoredni kuglični ležajevi sa kosim dodirom



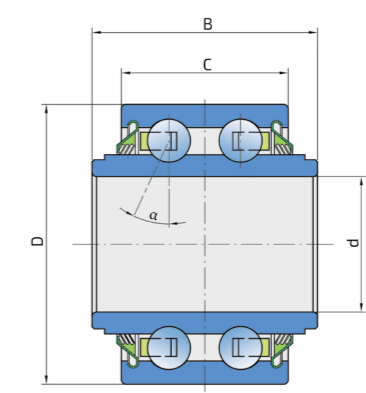
Seeding Machine Solutions
Ležajevi i ležajne jed. sejačice

SL 3204 TRS



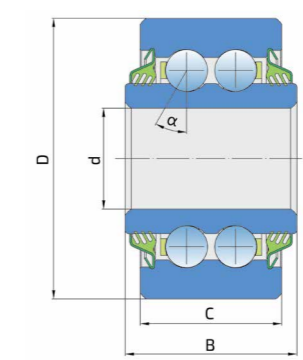
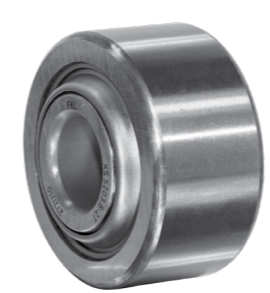
Designation/Oznaka	d	d ₁	D	B	C	α	kg
SL 3204 TRS	20	28.8	47	26	26	25°	0.20

5206 KPP3



Designation/Oznaka	d	D	B	C	α	kg
5206 KPP3	30.150	62	50	37	25°	0.50

XS 5203.B-2T



Designation/Oznaka	d	D	B	C	α	kg
XS 5203.B-2T	16.26	45.23	27.66	22.8	30°	0.18

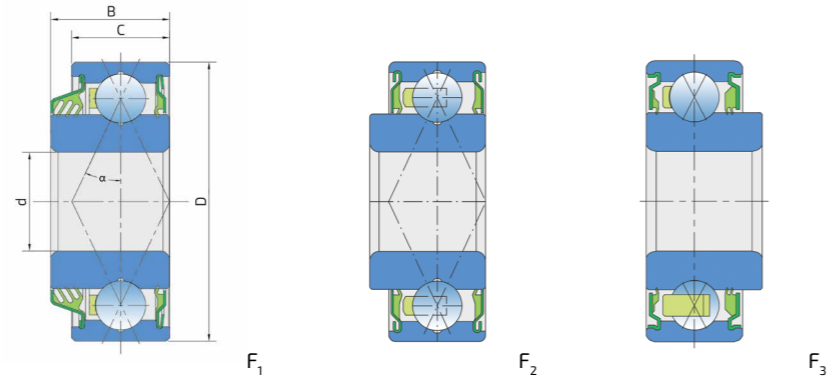
Typical Applications:
Potencijalno mesto ugradnje i primena:

Seeding Machines
Sejačice

Four point Contact Ball Bearing

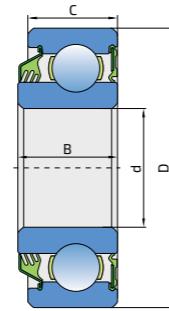
Kuglični ležaj sa dodirom u četiri tačke

06C04-TS
06C04-ZZ
06C04-DS



Designation/Oznaka	d	D	B	C	α	kg	Fig./Sl.
06C04-TS	16	45.2	18.67	15.4	25°	0.23	1
06C04-ZZ	16	45.2	18.67	15.4	25°	0.23	2
06C04-DS	16	45.2	18.67	15.4	27.5°	0.23	3

6204-RSL3



Designation/Oznaka	d	D	B	C	kg
6204-RSL3	20	47	16.5	15	0.19

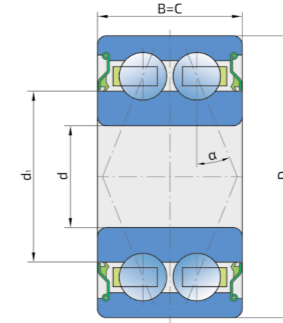
Typical Applications:
Potencijalno mesto ugradnje i primena:

Seeding Machines
Sejačice

Double Row Angular Contact Ball Bearings

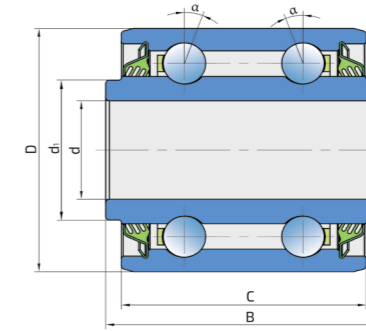
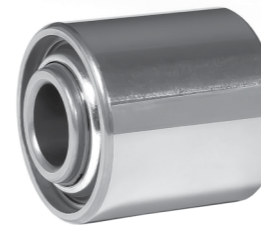
Dvoredni kuglični ležajevi sa kosim dodirom

SL 3303



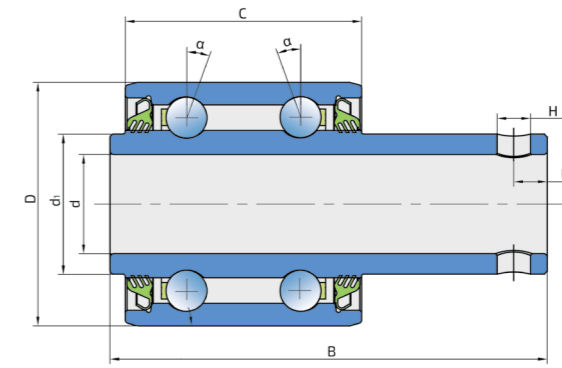
Designation/Oznaka	d	d ₁	D	B	C	H	E	α	kg
SL 3303 2S	17	28.5	47	24.2	24.2	-	-	25°	0.20
SL 3303-2S-20	20	28.2	47	24.2	24.2	-	-	25°	0.18

SL 5203



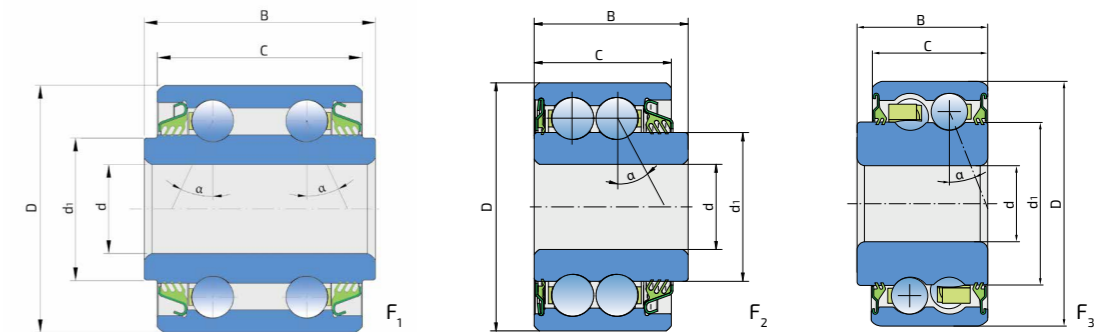
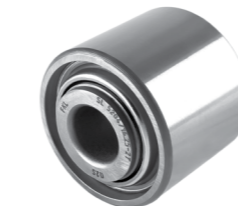
Designation/Oznaka	d	d ₁	D	B	C	H	E	α	kg
SL 5203.B-2T	16.256	23.5	40	44.12	39.12	-	-	30°	0.22
SL 5203.B-2T-A	16.256	23	40	43.88	38.93	-	-	20°	0.22
SL 5203/17.B-2T	16.8	23	40	44.12	39.12	-	-	30°	0.22

SL2 5203.B



Designation/Oznaka	d	d ₁	D	B	C	H	E	α	kg
SL2 5203.B-2T	16.3	23	40	72	39.12	6	5.5	30°	0.27

SL 5204
SL 5205 2D



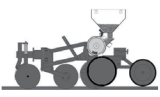
Designation/Oznaka	d	d ₁	D	B	C	H	E	α	kg	Fig./Sl.
SL 5204/16.25-2T	16.25	27	47	44	39	-	-	25°	0.33	1
SL 5204/20-2T	20	27	47	44	39	-	-	25°	0.29	1
SL 5204-ST	16.129	28.2	47	29.175	26	-	-	25°	0.23	2
SL 5205 2D	16.027	34.35	52	27.711	24.562	-	-	25°	0.29	3

Typical Applications:
Potencijalno mesto ugradnje i primena:

Seeding Machines
Sejačice

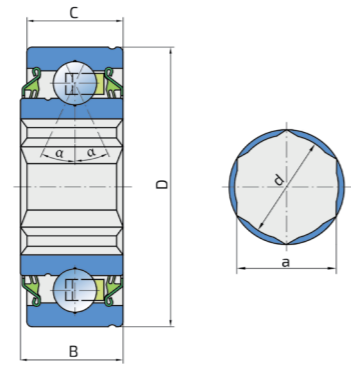
Four Point Contact Ball Bearings

Kuglični ležajevi sa dodirom u četiri tačke



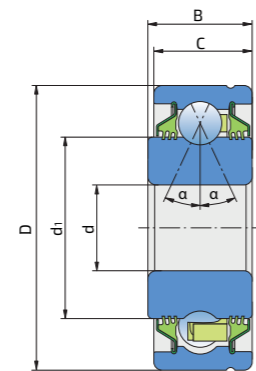
Seeding Machine Solutions
Ležajevi i ležajne jed. sejačice

SL 53-014-2T



Designation/Oznaka	a	d	D	B	C	α	kg
SL 53-014-2T	22.25	22.80	53.086	19.40	18.288	25°	0.17

SL 5316 2T



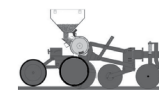
Designation/Oznaka	a	d	d ₁	D	B	C	α	kg
SL 5316 2T	-	16	33.74	53.086	19.4	18.288	25°	0.21

Typical Applications:
Potencijalno mesto ugradnje i primena:

Seeding Machines
Sejačice

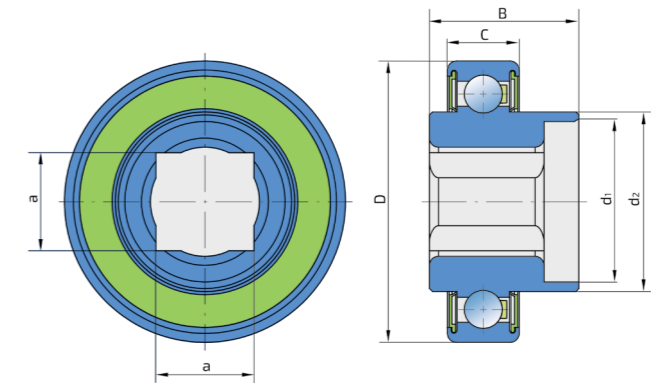
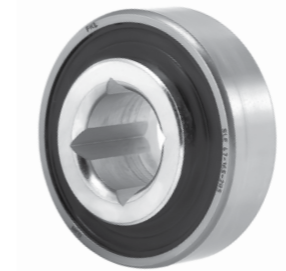
Four Point Contact Ball Bearings

Kuglični ležajevi sa dodirom u četiri tačke



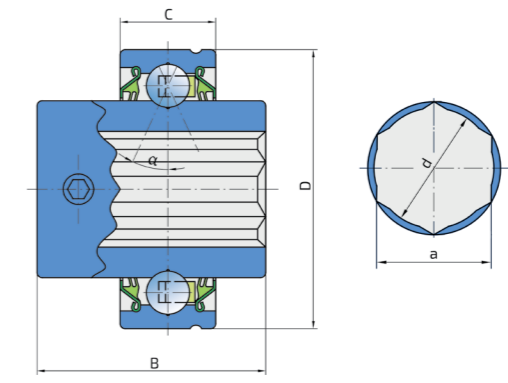
Seeding Machine Solutions
Ležajevi i ležajne jed. sejačice

SLE 47-165-2RS



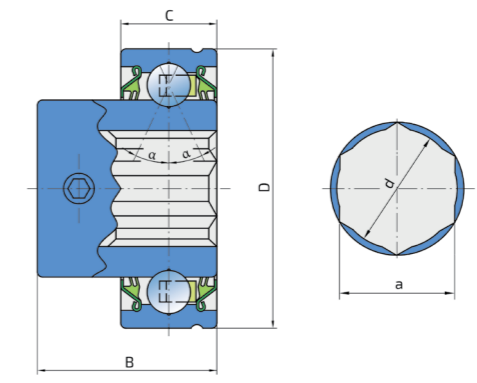
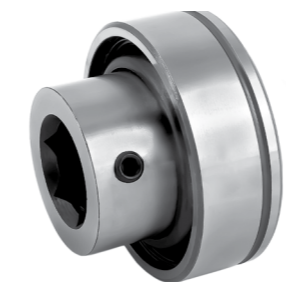
Designation/Oznaka	a	d	d ₁	d ₂	D	B	C	α	kg
SLE 47-165-2RS	16.4	-	26.8	30	47	25	12	-	0.11

SLE 53-012-2T



Designation/Oznaka	a	d	d ₁	d ₂	D	B	C	α	kg
SLE 53-012-2T	19.18	19.6	-	-	53.086	43.5	18.288	25°	0.30

SLU 53-012-2T



Designation/Oznaka	a	d	d ₁	d ₂	D	B	C	α	kg
SLU 53-012-2T	19.18	19.6	-	-	53.086	34.2	18.288	25°	0.26

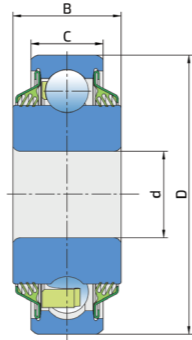
Typical Applications:
Potencijalno mesto ugradnje i primena:

Seeding Machines
Sejačice

Ball Bearings

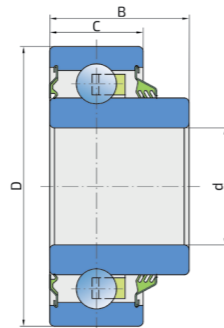
Kuglični ležajevi

206KPP16



Designation/Oznaka	d	D	B	C	kg
206KPP16	19.202	62	24	16	0.31

205KRP2



Designation/Oznaka	d	D	B	C	kg
205KRP2	19.202	52	21.1	15	0.28

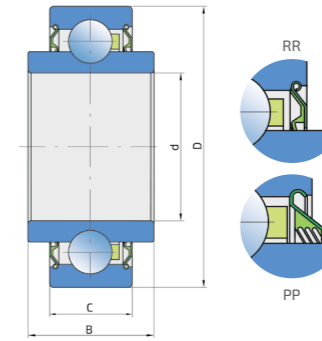
Typical Applications:
Potencijalno mesto ugradnje i primena:

Seeding Machines
Sejačice

Ball Bearings

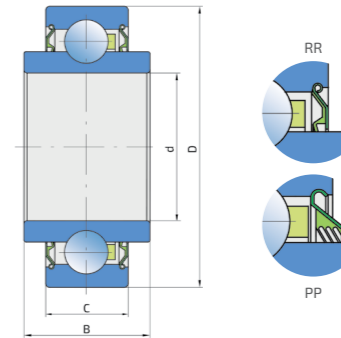
Kuglični ležajevi

203KRR.AH02
203KPP.AH02



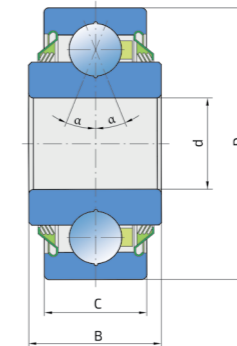
Designation/Oznaka	d	D	B	C	kg
203KRR.AH02/203KPP.AH02	16.26	40	18.29	12	0.07

203KRR.AH05
203KPP.AH05



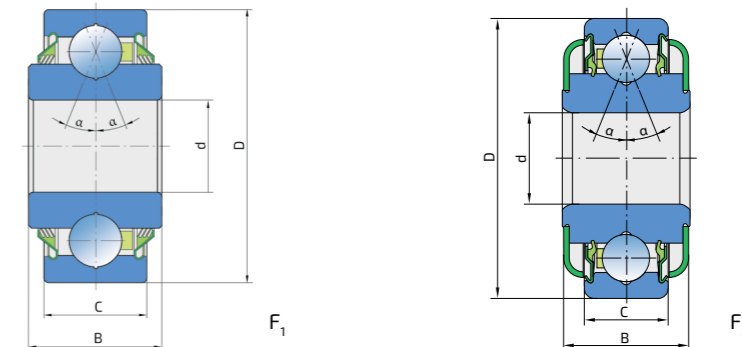
Designation/Oznaka	d	D	B	C	kg
203KRR.AH05/203KPP.AH05	13	40	18.29	12	0.09

Q 203PP.AH02



Designation/Oznaka	d	D	B	C	α	kg
Q 203PP.AH02	16.256	40	18.29	12	25°	0.08

Q 203PP.AH05
Q 203PP-CC.AH05

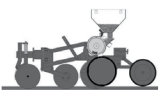


Designation/Oznaka	d	D	B	C	α	kg	Fig./Sl.
Q 203PP.AH05	13.081	40	18.29	12	25°	0.09	1
Q 203PP-CC.AH05	13	40	18.3	12	25°	0.09	2

Typical Applications:
Potencijalno mesto ugradnje i primena:

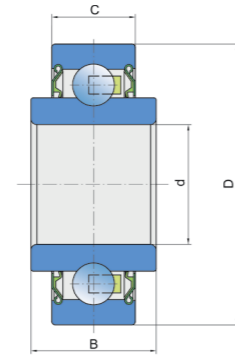
Seeding Machines/Sejačice
Sprockets/Lančanici

Ball Bearings Kuglični ležajevi



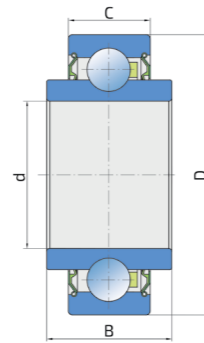
Seeding Machine Solutions
Ležajevi i ležajne jed. sejačice

204KRR



Designation/Oznaka	d	D	B	C	kg
204KRR	20	47	17.7	14	0.12

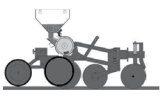
203KRR



Designation/Oznaka	d	D	B	C	kg
203KRR	17	40	18.3	12	0.09

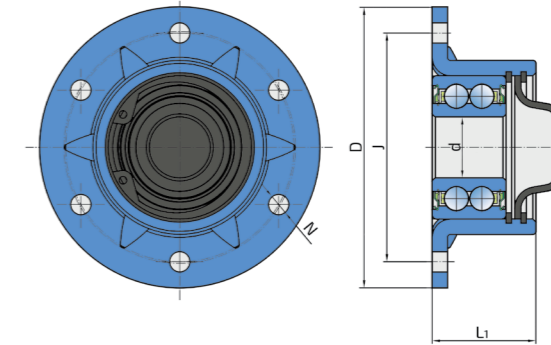
Bearing Units (Angular contact ball bearings in pressed steel housing)

Ležajne jedinice (Kuglični ležajevi sa kosim dodirom u limenom kućištu)



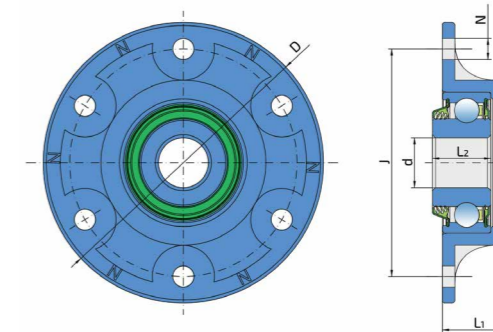
Seeding Machine Solutions
Ležajevi i ležajne jed. sejačice

PL-74XX
PL-75XX



Designation/Oznaka	d	D	J	N	L ₁	kg
PL-7516-SM	16	92	75	6.7	34	0.35
PL-7517	17	92	75	6.7	34	0.51
PL-7517-SM	17	92	75	6.7	34	0.54
PL-7420-SM	20	92	74	9	34	0.52
PL-7520	20	92	75	6.7	34	0.50
PL-7520-SM	20	92	75	6.7	34	0.53

PL90-73/6H-B16



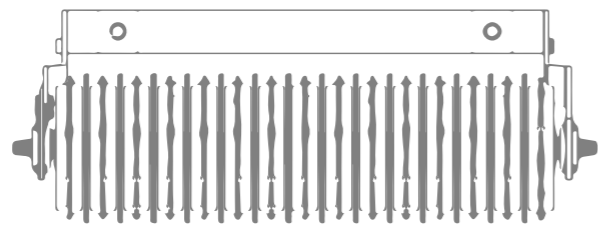
Designation/Oznaka	d	D	J	N	L ₁	L ₂	kg
PL90-73/6H-B16	16	90	73	6.8	23	18.67	0.40

Typical Applications:
Potencijalno mesto ugradnje i primena:

Seeding Machines
Sejačice

Seeding Machines
Sejačice

Typical Applications:
Potencijalno mesto ugradnje i primena:



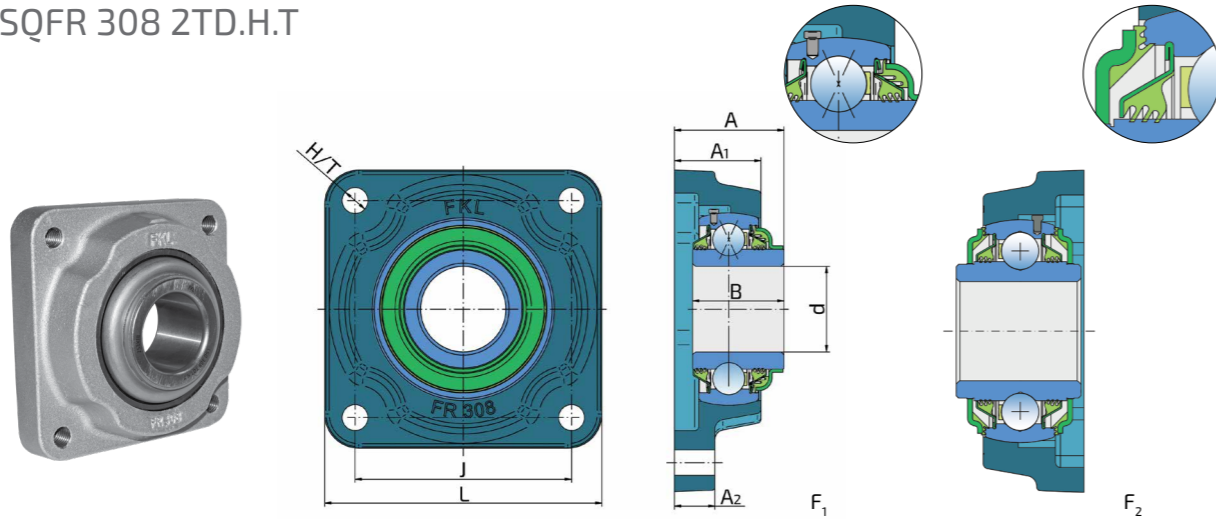
Packer Roller Solutions
Ležajevi i ležajne jedinice valjka

Bearing Units
Ležajne jedinice



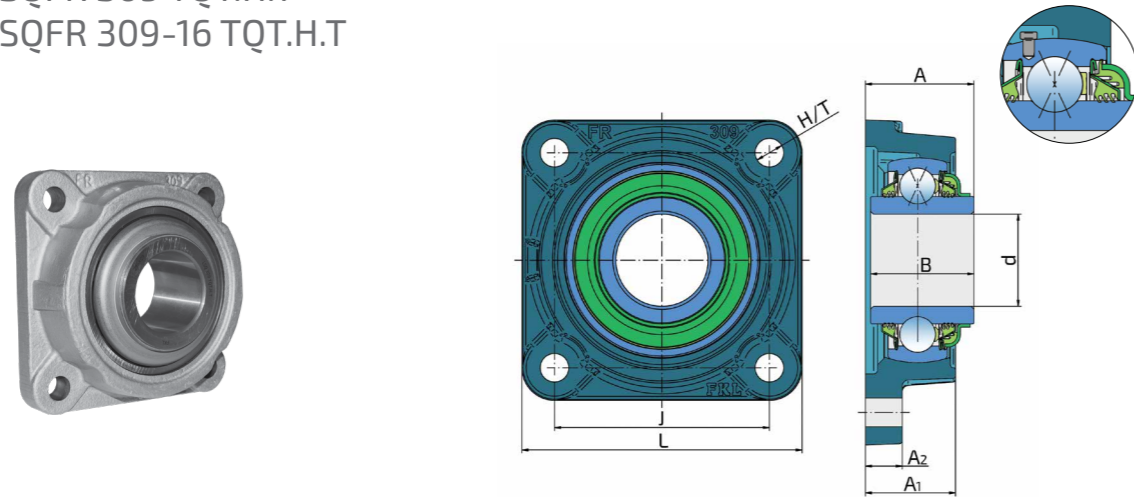
Packer Roller Solutions
Ležajevi i lež. jedinice valjka

LSQFR 308 TQT.H.T
LSQFR 308-13.5 TQT.H.T
LSQFR 308 2TD.H.T



Designation/Oznaka	d	L	J	H/T	A	A ₁	A ₂	B	kg	Fig./Sl.
LSQFR 308 TQT.H.T	40	130	101.5	M12	51.4	40.6	19	42.9	2.41	1
LSQFR 308-13.5 TQT.H.T	40	130	101.5	13.5	51.4	40.6	19	42.9	2.41	1
LSQFR 308 2TD.H.T	40	130	101.5	13	48.4	40.6	19	45.8	2.51	2

LSQFR 309 TQT.H.T
LSQFR 309-16 TQT.H.T



Designation/Oznaka	d	L	J	H/T	A	A ₁	A ₂	B	kg
LSQFR 309 TQT.H.T	45	137	105	14	53	44	18	50.45	3.06
LSQFR 309-16 TQT.H.T	45	137	105	16	53	44	18	50.45	3.06

Typical Applications:
Potencijalno mesto ugradnje i primena:

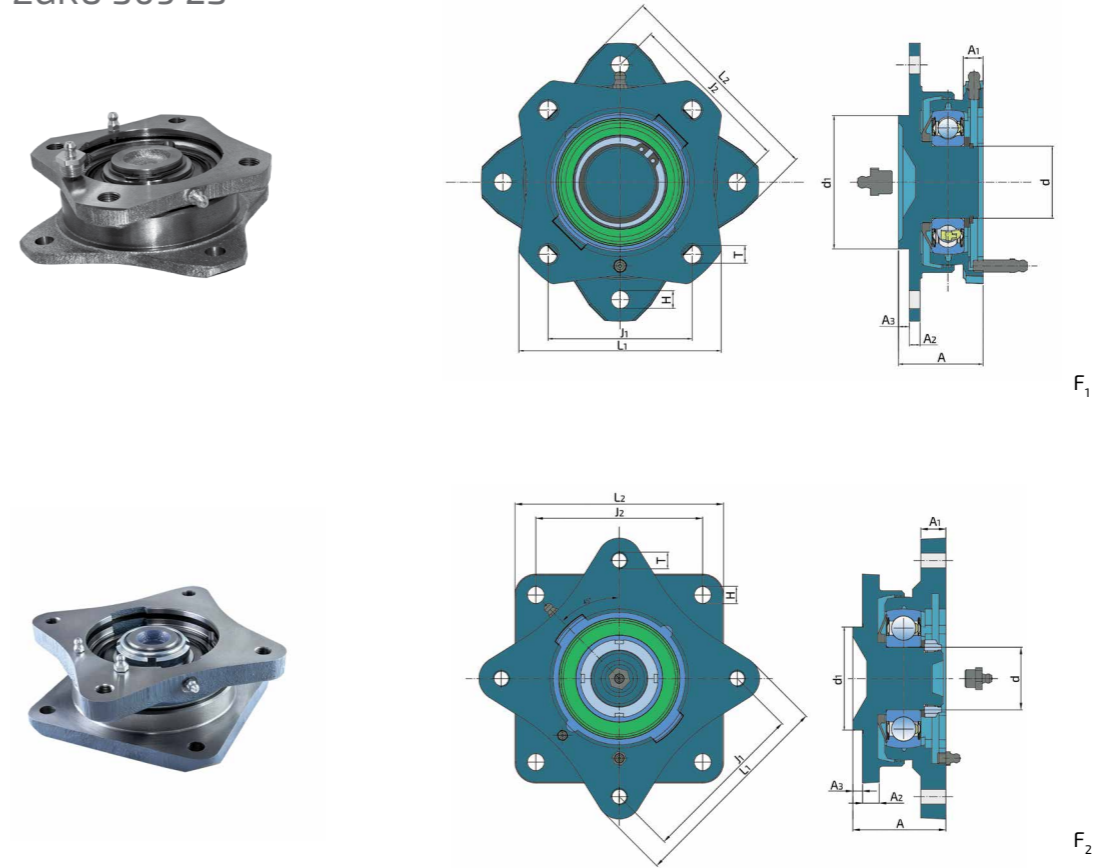
Packer Rollers
Valjci

Bearing Units
Ležajne jedinice



Packer Roller Solutions
Ležajevi i lež. jedinice valjka

ZGKU 208 2S
ZGKU 309 2S



Designation/Oznaka	d	d ₁	L ₁	L ₂	J ₁	J ₂	H	T	A	A ₁	A ₂	A ₃	kg	Fig./Sl.
ZGKU 208 2S	40	74	112.4	120.4	80	92	4x10	4xM12x1.25	47	11	6	6	2.3	1
ZGKU 309 2S	45	74	152	150	120	120	4x12.3	4xM12x1.25	66.9	18	12	7	5.6	2

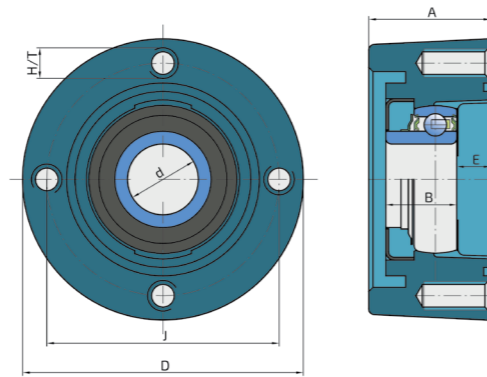
Typical Applications:
Potencijalno mesto ugradnje i primena:

Packer Rollers
Valjci

Bearing Units

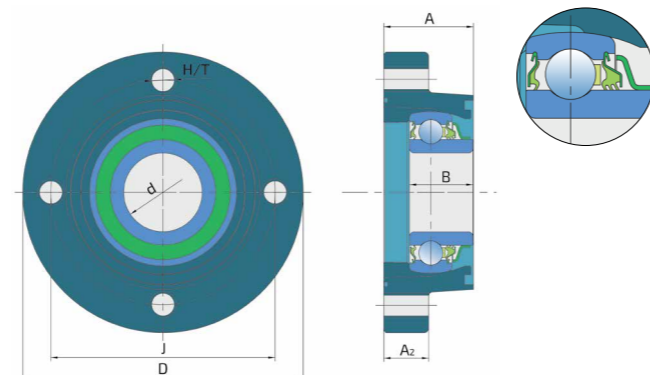
Ležajne jedinice

LSGR 205 FS



Designation/Oznaka	d	D	J	H/T	A	A ₂	B	E	kg
LSGR 205 FS	25	99	82	M10	43	-	25	12	1.55

LSGR 207 TBS

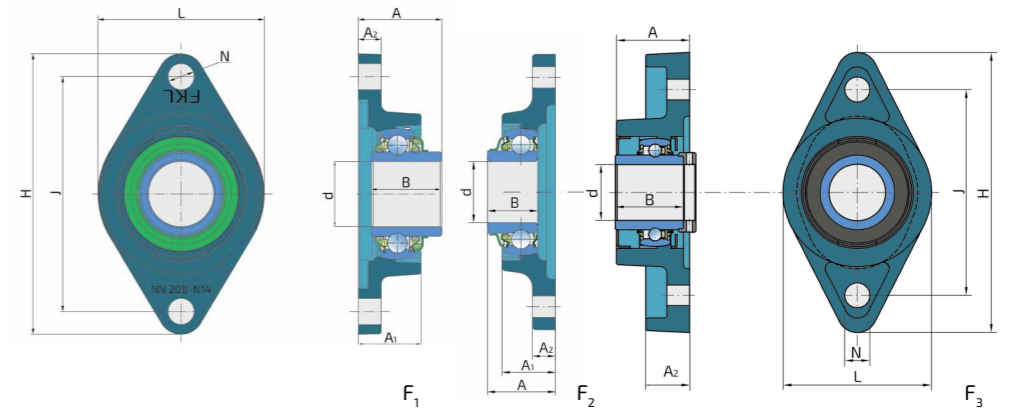


Designation/Oznaka	d	D	J	H/T	A	A ₂	B	E	kg
LSGR 207 TBS	35	125	100	M12	40	20	28.3	-	1.70

Bearing Units

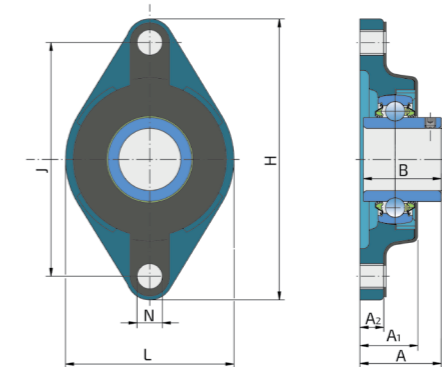
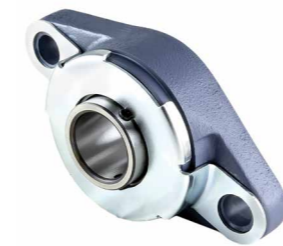
Ležajne jedinice

LSNN 208 TDT.H.T*K LSNR 205 2T LSNR 207 TBS



Designation/Oznaka	d	H	L	J	A	A ₁	A ₂	B	N	kg	Fig./Sl.
LSNN 208 TDT.H.T*K	40	172	102	144	51.2	-	14	43.2	16	1.78	1
LSNR 205 2T	25	135	71	99	35	-	21	34.8	11	0.91	3
LSNR 207 TBS	35	155	93	130	40	31	13	28.3	14	1.05	2

LENN 206 2TC.H LENN 208 2T LENN 210 2T



Designation/Oznaka	d	H	L	J	N	A	A ₁	A ₂	B	kg
LENN 206 2TC.H	30	148	80	117	16	40.2	30.5	13.5	38.1	1.12
LENN 208 2T	40	175	100	144	14	51.2	36	16	49.2	1.69
LENN 210 2T	50	195	115	157	19	54.6	40	18	51.6	2.13

Typical Applications:
Potencijalno mesto ugradnje i primena:

Packer Rollers
Valjci

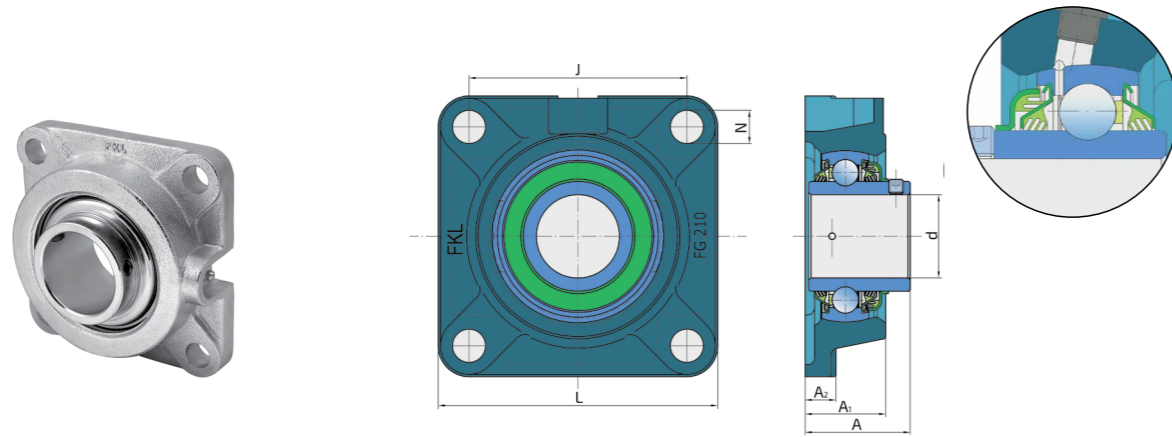
Packer Rollers
Valjci

Typical Applications:
Potencijalno mesto ugradnje i primena:

ARMOR Bearing Units

ARMOR ležajne jedinice

LEFG 2XX TDT



Metric sizes/Metričke veličine

Designation/Oznaka	d	A ₁	A ₂	J	L	N	A	kg
LEFG 206 TDT	30	31	13	83	108	12	40.2	1.20
LEFG 207 TDT	35	34	13	92	118	14	44.4	1.45
LEFG 208 TDT	40	36	14	102	130	16	51.2	1.95
LEFG 209 TDT	45	38	16	105	137	16	52.2	2.41
LEFG 210 TDT	50	40	16	111	143	16	54.6	2.78
LEFG 211 TDT	55	43	17	130	162	19	59.8	3.55
LEFG 212 TDT	60	48	19	143	175	19	68.5	4.64
LEFG 214 TDT	70	50.3	21.3	152	193	19	70.7	6.20

Inches sizes/Inč veličine

Designation/Oznaka	d	A ₁	A ₂	J	L	N	A	kg
LEFG 206-104 TDT	1 1/4"	31	13	83	108	12	40.2	1.10
LEFG 207-104 TDT	1 1/4"	34	13	92	118	14	44.4	1.60
LEFG 207-106 TDT	1 3/8"	34	13	92	118	14	44.4	1.60
LEFG 208-108 TDT	1 1/2"	36	14	102	130	16	51.2	1.95
LEFG 209-112 TDT	1 3/4"	34	16	105	137	16	52.2	2.15
LEFG 211-200 TDT	2"	43	17	130	162	19	59.8	3.55

Specify:
Specifičnosti:

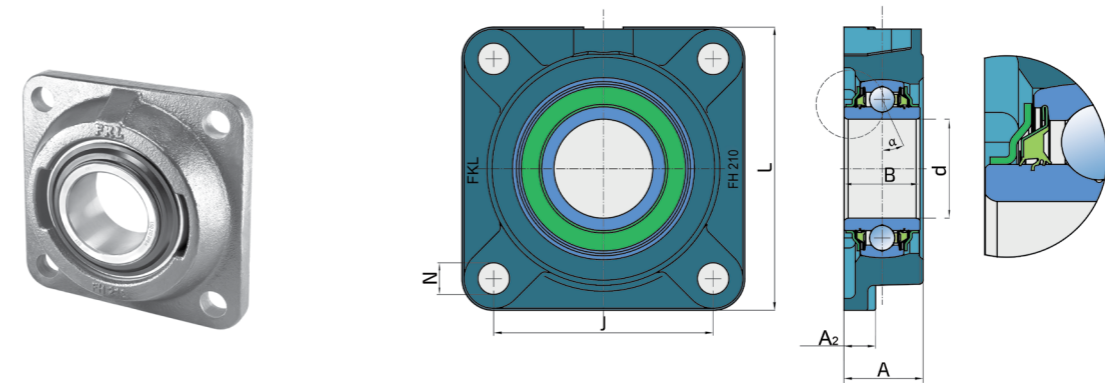
Universal Solutions
Univerzalna rešenja

Housing material: Ductile iron/Materijal kućišta: nodularni liv
Sealing: double triple lip/Zaptivanje: dupla trouzna zaptivka
Maintenance free option/Opcija bez podmazivanja

Bearing Units

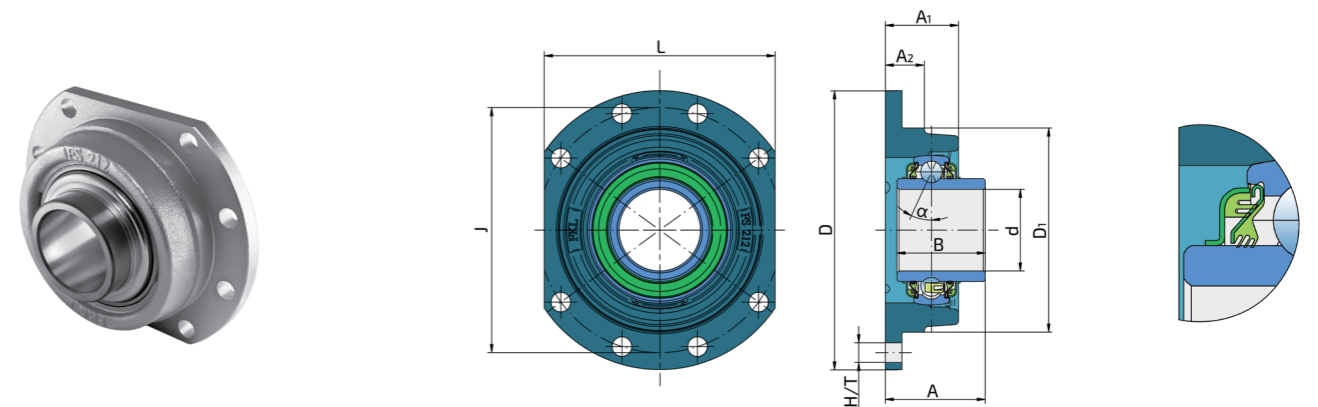
Ležajne jedinice

LSQFH 210 2PB.H



Designation/Oznaka	d	J	L	A	A ₂	B	N	α	kg
LSQFH 210 2PB.H	50	111	143	38.5	16	38.4	17	25°	2.65
LSQFH 210 2PB.H.40	40	111	143	38.5	13	38.4	Ø16H13	25°	2.60

LESQFS 212 2TD.H



Designation/Oznaka	d	D	D ₁	L	J	H/T	A	A ₁	A ₂	B	α	kg
LESQFS 212 2TD.H	60	205	150	170	180	14.5	73.7	54	28.7	65.1	25°	5.27

Typical Applications:
Potencijalno mesto ugradnje i primena:

Packer Rollers
Valjci

Note*/Napomena*
Maintenance free option*/Opcija bez podmazivanja*

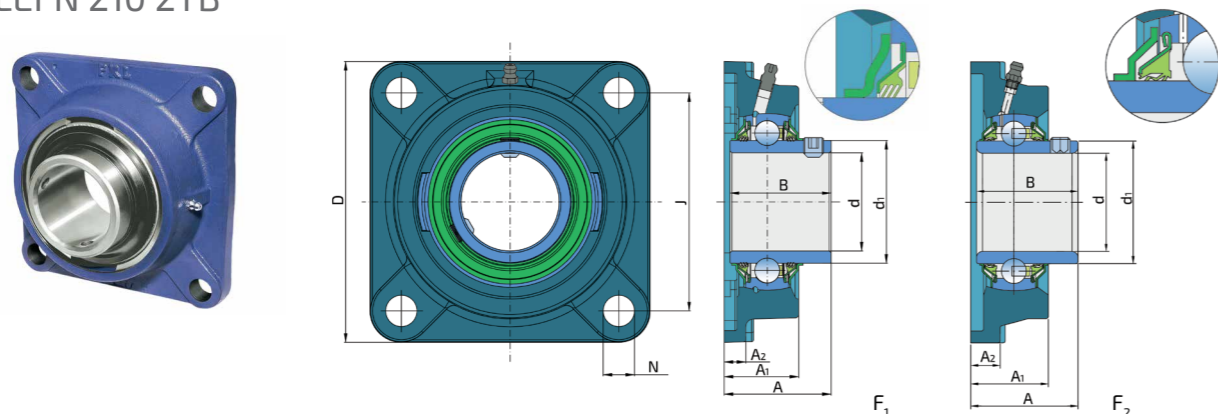
* LESQFS 212 2TD.H

Bearing Units

Ležajne jedinice



LEFN 212 2TB
 LEFN 212M 2TB
 LEFN 210 2TB



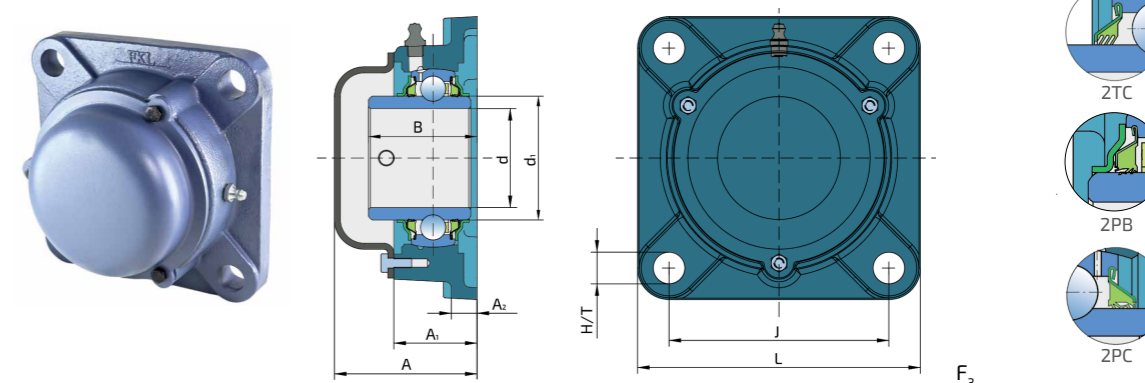
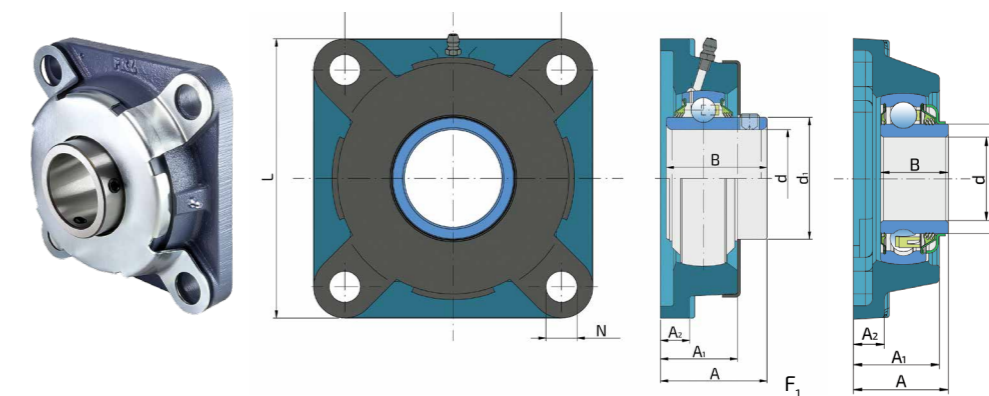
Designation/Oznaka	d	d ₁	L	J	N	A	A ₁	A ₂	B	kg	Fig./Sl.
LEFN 212 2TB	60	75.64	175	143	19	68.7	48	15	65.1	4.27	1
LEFN 212M 2TB	60	75.64	175	143	18	73.7	52	17	65.1	4.27	1
LEFN 210 2TB	50	62.5	143	111	Ø 16H13	54.6	40	11	51.6	2.6	2

Bearing Units

Ležajne jedinice



LEF 205 2TC
 LEFN 207 2TC
 LEFN 208 2TC
 LEFC 210 2PB
 LEFN 210 2PC
 LSFN 207 TBS



Designation/Oznaka	d	d ₁	L	J	N	A	A ₁	A ₂	B	kg	Fig./Sl.
LEF 205 2TC*	25	33.74	95	70	12	35.8	28.5	12	34.1	0.81	1
LEFN 207 2TC	35	46.1	118	92	14	44.4	34	13	42.9	1.47	1
LEFN 208 2TC	40	51.8	130	102	16	51.2	36	14	49.2	2.1	1
LEFC 210 2PB	50	62.5	143	111	16	72	42	17	51.6	3.12	3
LEFN 210 2PC	50	62.5	143	111	16	54.6	38	15	51.6	2.8	1
LSFN 207 TBS	35	46.1	118	92	14	37.8	34	11	28.3	1.45	2

*Housing material: Gray cast iron/Materijal kućišta: sivi liv

Typical Applications:
 Potencijalno mesto ugradnje i primena:

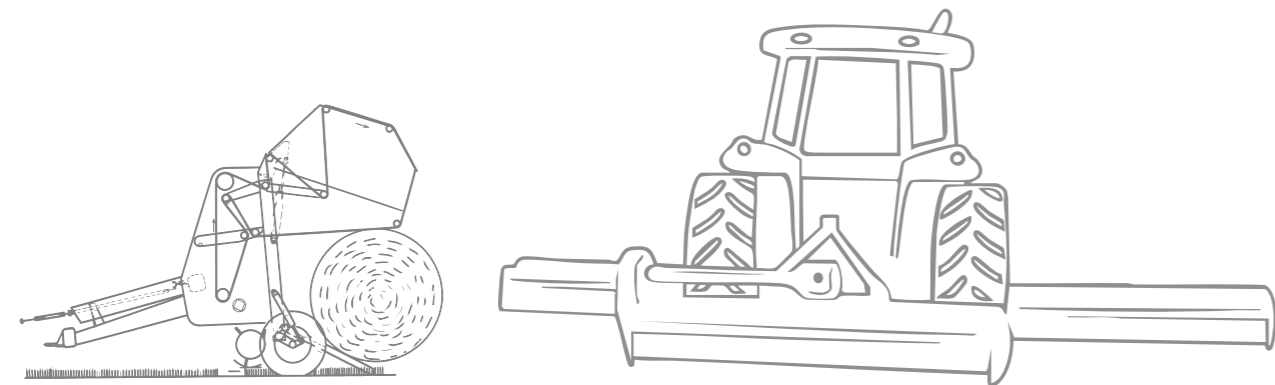
Packer Rollers
 Valjci

Note/Napomena
 Maintenance free option/Opcija bez podmazivanja

Universal Solutions
 Univerzalna rešenja

Sealing: triple lip or five lip/Zaptivanje: trosno ili petousno
 Housing material: Ductile iron/Materijal kućišta: nodularni liv
 Protective metal sheet and cap/Zaštitni metalni lim i kapa
 Maintenance free option/Opcija bez podmazivanja

Specificity:
 Specifičnosti:

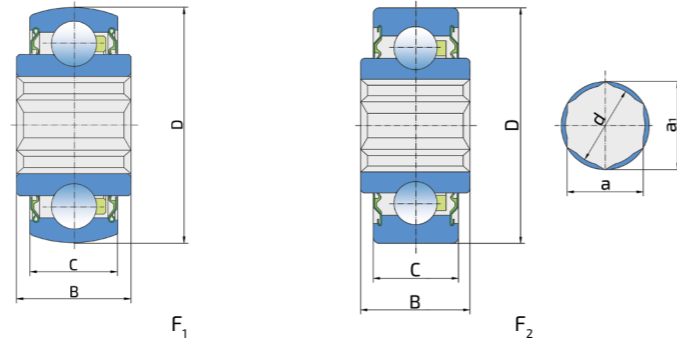


**Packer Baler and
Mower Solutions**
Ležajevi balirke i kosačice

Ball Bearings

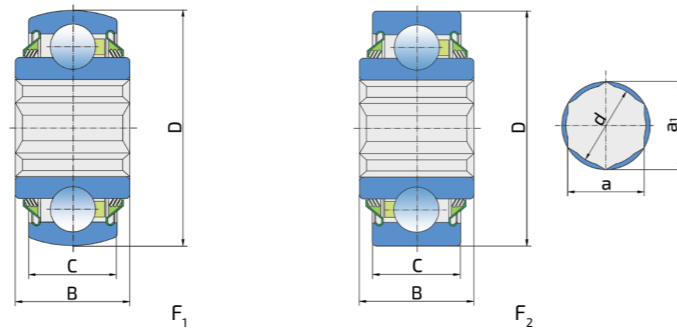
Kuglični ležajevi

- 206KRR6
- 207KRRB12
- 207KRRB17
- 209KPPB2
- 209KRRB2
- 210RRB6



Designation/Oznaka	a	a ₁	d	D	B	C	kg	Fig./Sl.
206KRR6	25.43	29.26	26	62	24	16	0.34	2
207KRRB12	28.6	33.05	29.3	72	25	17	0.40	1
207KRRB17	31.78	36.46	32.5	72	25	17	0.40	1
209KRRB2	38.12	43.94	39	85	30	19	0.58	1
210RRB6	38.12	43.94	39	90	30	22	0.80	2

- 205PP13
- 205PPB13
- 205KPPB2
- 206KPP3
- 207KPPB3
- 209KPPB2



Designation/Oznaka	a	a ₁	d	D	B	C	kg	Fig./Sl.
205PP13	22.25	25.65	22.8	52	25.4	15	0.20	2
205PPB13	22.25	25.65	22.8	52	25.4	15	0.20	1
205KPPB2	22.25	25.65	22.8	52	25.4	15	0.20	1
206KPP3	25.43	29.26	26	62	24	16	0.40	2
207KPPB3	31.78	36.40	32.5	80	36.5	18	0.40	1
209KPPB2	38.12	43.94	39	85	30	19	0.58	1

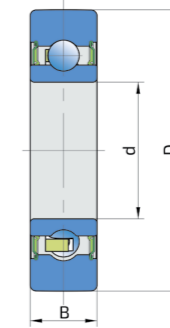
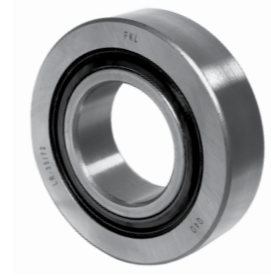
Typical Applications:
Potencijalno mesto ugradnje i primena:

Packer Balers
Balirke

Ball Bearings

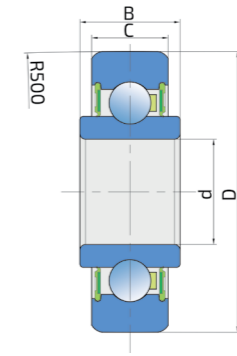
Kuglični ležajevi

LR-35/72



Designation/Oznaka	d	D	B	kg
LR-35/72	35	72	17	0.32

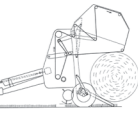
SL 15/40/14.4 2RS



Designation/Oznaka	d	D	B	C	kg
SL 15/40/14.4 2RS	15	40	14.4	11	0.08

Typical Applications:
Potencijalno mesto ugradnje i primena:

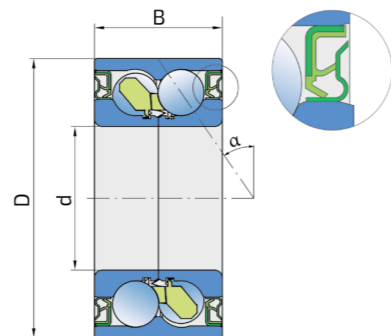
Packer Balers
Balirke



Double Row Angular Contact Ball Bearings

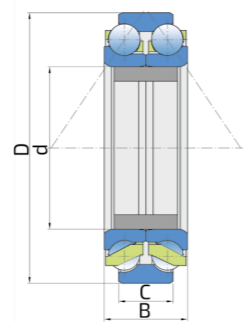
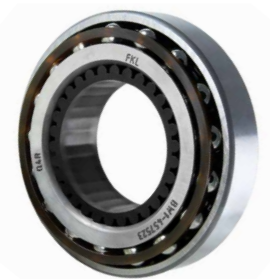
Dvoredni kuglični ležajevi sa kosim dodirom

BW1-357233



Designation/Oznaka	d	D	B	C	α	kg
BW1-357233	35	72.043	33	-	40°	0.55

BW1-457523



Designation/Oznaka	d	D	B	C	α	kg
BW1-457523	45	75	23	15	34°	0.35

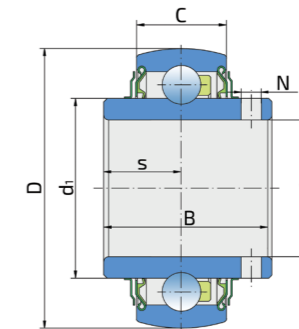
Typical Applications:
Potencijalno mesto ugradnje i primena:

Mowers
Kosačice

Ball Bearing

Kuglični ležaj

SLE 206-103 2F



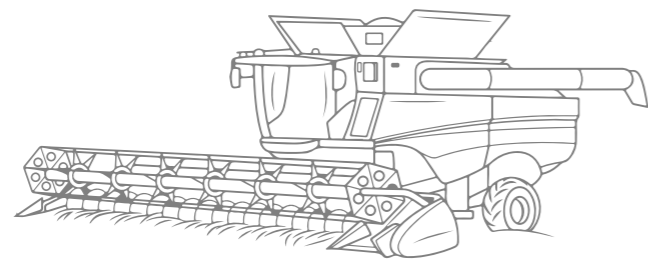
Designation/Oznaka	d	d ₁	D	B	C	s	N	kg
SLE 206-103 2F	30.162	39.7	62	38.1	18	15.9	7	0.28

Typical Applications:
Potencijalno mesto ugradnje i primena:

Mowers
Kosačice



Packer Baler and
Mower Solutions
Ležajevi balirke i kosačice

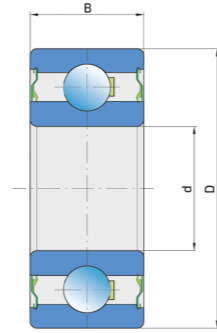
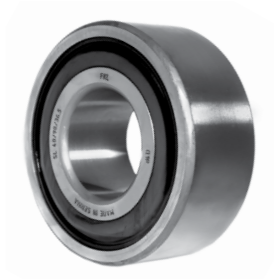


Combine Harvester Solutions
Ležajevi i lež. jedinice kombajna

Ball Bearings

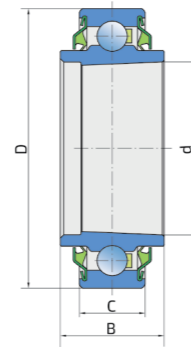
Kuglični ležajevi

SL 40/90/36.5



Designation/Oznaka	d	D	B	kg
SL 40/90/36.5	40	90	36.5	1.21

209 KRR K/50.135



Designation/Oznaka	a	a ₁	d	D	B	C	kg
209 KRR K/50.135	-	-	50.135	81	30	18	0.42

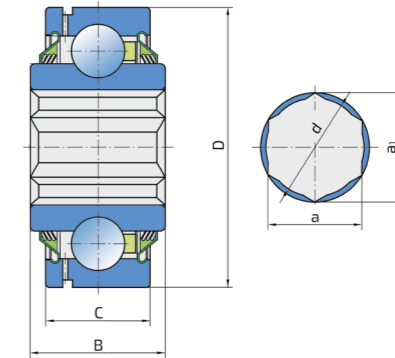
Typical Applications:
Potencijalno mesto ugradnje i primena:

Harvesters
Kombajni

Ball Bearing

Kuglični ležaj

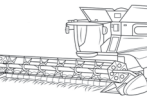
G207 KPP3 AH16



Designation/Oznaka	a	a ₁	d	D	B	C	kg
G207 KPP3 AH16	31.78	36.45	32.5	72	38	19	0.65

Typical Applications:
Potencijalno mesto ugradnje i primena:

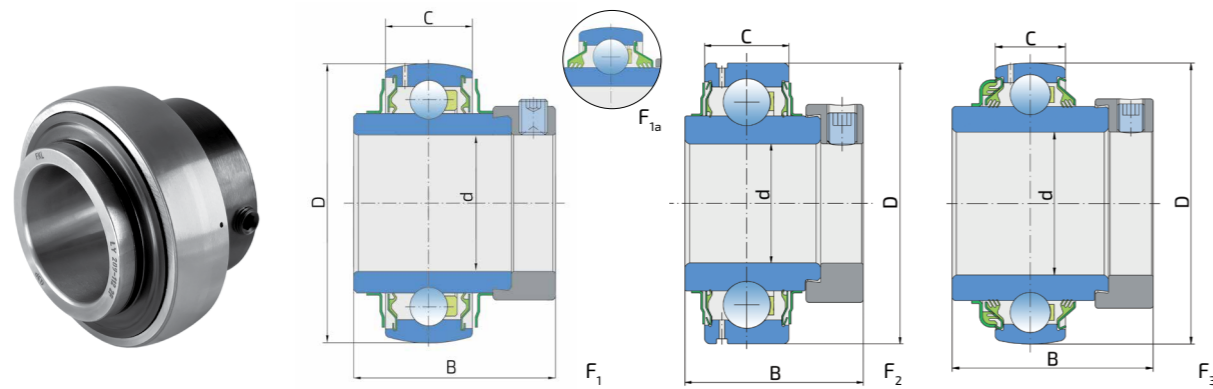
Harvesters
Kombajni



Ball Bearings

Kuglični ležajevi

Y-bearings with eccentric locking collar (LY)
Y-kuglični ležajevi sa ekscentrom za pritezanje (LY)



Designation/Oznaka	d	D	B	C	kg	Fig./Sl.
LY 205-100 2F	25.4	52	44.4	15	0.25	1
LY 205-100 2T.H	25.4	52	44.4	15	0.23	1a
LY 206-104 2F	31.75	62	48.4	18	0.21	1
LY 207-104 2F	31.75	72	51.1	19	0.61	1
LY 207-106 2F	34.925	72	51.1	19	0.57	1
LY 207-107 2F	36.512	72	51.1	20	0.61	1
LY 208-108 2F	38.1	80	56.3	21	0.80	1
LY 208-108 2F.SH	38.1	80	56.3	21	0.80	1
LY 208 2T.H	40	80	56.3	21	0.67	1a
LY 209-112 2F	44.45	85	56.3	22	0.76	1
LY 211-200 2F	50.8	100	71.4	25	1.40	1
LY 211-200 TDT	50.8	100	71.4	25	1.50	3
LY 308 2T.H	40	90	57.1	27	1.07	1a
LY 308-108 2F.SL	38.1	90	57.1	27	1.16	2

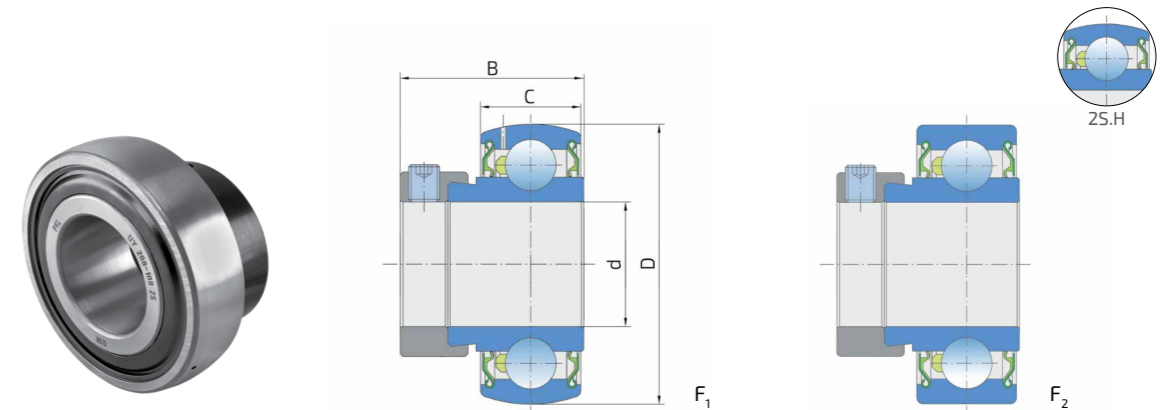
Typical Applications:
Potencijalno mesto ugradnje i primena:

Harvesters
Kombajni

Ball Bearings

Kuglični ležajevi

Y-bearings with eccentric locking collar (UY)
Y-kuglični ležajevi sa ekscentrom za pritezanje (UY)



Designation/Oznaka	d	D	B	C	kg	Fig./Sl.
UY 203/15 2S	15	40	28.6	12	0.15	1
UY 204 2S.SH	20	47	31	14	0.19	2
UY 204-012 2S	19.05	47	31	14	0.19	1
UY 204-012 2S.SH	19.05	47	31	14	0.19	2
UY 205-014 2S	22.225	52	31	15	0.20	1
UY 205-100 2S	25.4	52	31	15	0.20	1
UY 205-100 2S.H	25.4	52	31	15	0.20	1
UY 206-103 2S.SHY	30.162	62	35.7	18	0.31	2
UY 206-104 2S	31.75	62	35.7	16	0.27	1
UY 206-104 2S.H	31.75	62	35.7	16	0.27	1
UY 207-104 2S	31.75	72	38.9	19	0.48	1
UY 207-106 2S	34.925	72	38.9	19	0.48	1
UY 207-102 2S.SH	34.925	72	38.9	19	0.48	2
UY 207 2S.SH	35	72	38.9	19	0.31	2
UY 208-108 2S	38.1	80	43.7	21	0.63	1
UY 209-112 2S	44.45	85	43.7	22	0.65	1

Typical Applications:
Potencijalno mesto ugradnje i primena:

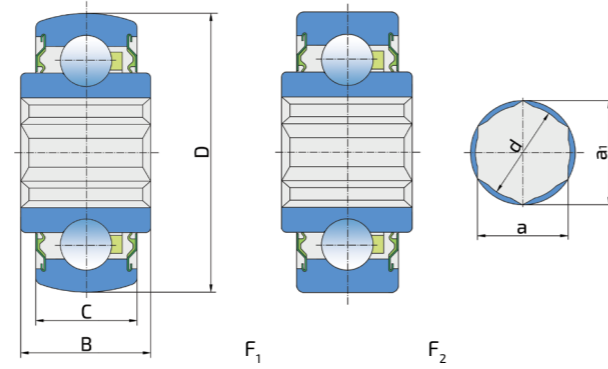
Harvesters
Kombajni



Ball Bearings

Kuglični ležajevi

204KRRB2
204KRR2
205KRRB2
205KRR2
206KRRB6
207KRRB9

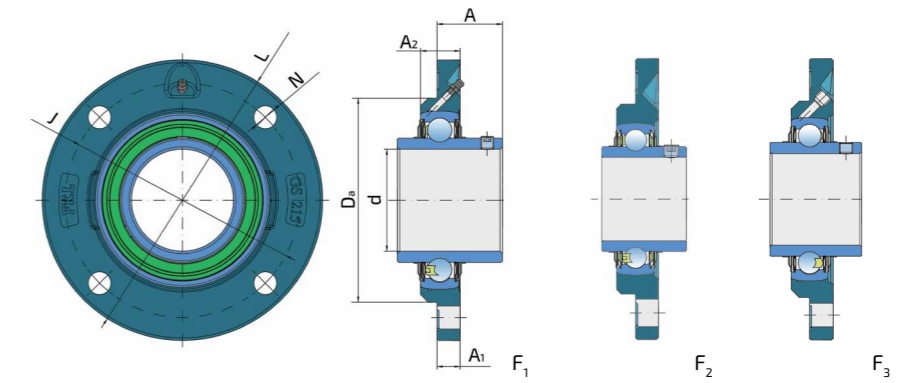


Designation/Oznaka	a	a ₁	d	D	B	C	kg	Fig./Sl.
204KRRB2	17.65	20.24	18.2	47	20.96	14	0.15	1
204KRR2	17.65	-	18.2	47	20.96	14	0.15	2
205KRRB2	22.25	25.65	22.8	52	25.4	15	0.2	1
205KRR2	22.25	25.65	22.8	52	25.4	15	0.2	2
206KRRB6	25.43	29.26	26	62	24	16	0.34	1
207KRRB9	28.6	32.95	29.3	72	37.7	17	0.51	1

Bearing Units with GS type housing

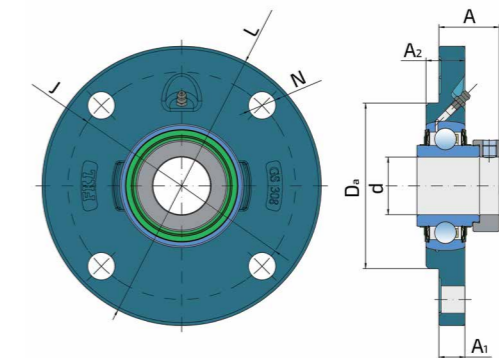
Ležajne jedinice sa kućištem tipa GS

LEGS 208 2F.H
LEGS 211 2F.H
LEGS 214 2F
LEGS 215 2F.C77.8
LEGS 216 2F.C82.6



Designation/Oznaka	d	A	A ₁	A ₂	D _a	L	J	N	kg	Fig./Sl.
LEGS 208 2F.H	40	29.2	11.5	23	100	145	120	11.5	1.66	2
LEGS 211 2F.H	55	33.4	15	27.5	125	185	150	18	3.07	2
LEGS 214 2F	69.9	39.7	18	32	150	215	177	18	4.89	3
LEGS 215 2F.C77.8	75	44.5	18	32	160	220	184	18	5.45	1
LEGS 216 2F.C82.6	80	51.3	18	31	160	220	184	18	5.31	1

LYGS 308 2F



Designation/Oznaka	d	A	A ₁	A ₂	D _a	L	J	N	kg
LYGS 308 2F	40	41.9	18	27	115	194	158	19	3.72

Typical Applications:
Potencijalno mesto ugradnje i primena:

Harvesters
Kombajni

Harvesters
Kombajni

Typical Applications:
Potencijalno mesto ugradnje i primena:



Providing the Best Solutions

Obezbeđivanje najboljih rešenja



Foreign Markets

Inostrana tržišta

FKL CZECH S.R.O.
Czech Republic/Slovakia, Kroměříž
Tel: +420 573 33 68 60
www.fkl-czech.cz

FKL DEUTSCHLAND GMBH
Germany, Heckelberg-Brunow
Tel: +49 33451 55 57 99
www.fkl-deutschland.de

FKL HUNGARY KFT
Hungary, Debrecen
Tel: +36 70 365 8187
www.fklhungary.hu

FKL IBERICA Bearings S.L.
Spain/Portugal, Lugo
Tel: +34 982 20 90 33
www.fkl-iberica.com

FKL POLSKA SP.Z.O.O.SP.K.
Poland/Baltic States, Kušlin
Tel: +48 605 48 68 78
www.fkl-polska.pl

FKL ROMANIA SRL
Romania/Moldova, Bragadiru
Tel: +40 374 64 02 27
www.fklromania.ro

FKL UKRAINE LTD
Ukraine, Lutsk
Tel: +38 332 77 43 99
www.fkl.ua

AGRIPARTNER - GANAYE SARL
France, Beaumont
Tel: +33 05 49 85 50 22
www.agripartner.fr

APPLIED INDUSTRIAL TECHNOLOGIES PTY LTD
Australia, Oakleigh
Tel: +61 3 9567 8700
www.appliedau.com.au

AS MODUATOR
Estonia, Põltsamaa
Tel: +372 776 86 53
www.moduator.ee

ABD GROUP
New Zealand, Auckland
Tel: +64 9 444 65 66
www.abdgroup.co.nz

CELSAN EUROPA S.R.L.
Italy, Argelato
Tel: +39 51 66 30 741
www.celsaneuropa.com

COMERCIAL RODAPLUS SPA
Osorno, Chile
Tel: +56 9 5699 1755
comercialrodaplus@gmail.com

EKOAL OOD
Bulgaria, Razgrad
Tel: +359 84 66 08 71
www.ekoalbg.com

TIVI GROUP INDUSTRY LTD
Bulgaria, Dimitrovgrad
Tel: +359 391 61 561
www.tivigroup.com

ELIT-TEHNICA SRL
Moldova, Chişinău
Tel: +373 22 855 711
sale@elit-tehnica.md

SRL ROMANCIUC ROMA SI CO
Moldova, Sîngerei
Tel: +373 69 16 83 82
romanciuci@mail.ru

FINNBEARING OY
Finland, Lohja
Tel: +358 40 900 2675
www.finnbearing.fi

HABIB DJAROUEH LTD
Syria/Lebanon/UAE/Saudi Arabia, Aleppo
Tel: +963 21 22 55 555
www.djaroueh-group.com

LAUDORTS SIA
Latvia, Riga
Tel: +371 20 52 15 59
www.laudorts.lv

PNS TECH
Canada, Saint-Agapit
Tel: +1 418 888 5200
www.pnstech.ca

PO BEARINGS S.R.O.
Slovakia, Prešov
Tel: +421 51 74 950 86
www.loziska-bearings.sk

SE-KRA DOO
Croatia, Sesvetski Kraljevec
Tel: +385 01 204 80 23
www.se-kra.hr

SFERODYNAMIKI PC
Greece, Thessaloniki
Tel: +30 231 052 19 66
www.sfaio.gr

SISA OTOMOTIV DIS TICARET LTD
Turkey/Iraq, Izmir
Tel: +90 232 375 22 81
sisa.dis.tic@superonline.com

TEMKO DOO
North Macedonia, Skoplje
Tel: +389 2 3066 068
goran.temko@gmail.com

TEMO PARTS
South Africa, Boksburg North
Tel: +27 10 023 8781
www.temoparts.co.za

TOPMECHANIKS LLC
Azerbaijan, Baku
Tel: +994 10 260 02 41
www.topmechaniks.com

UAB IGNERA
Lithuania, Kaunas
Tel: +370 37 35 35 15
www.ignera.lt

VULIN DOO
Bosnia and Herzegovina, Bijeljina
Tel: +387 55 49 03 40
vulindoo@yahoo.com

JUSEL DOO
Bosnia and Herzegovina, Bijeljina
Tel: +387 55 240 024
www.jusel.com

WEARPARTS TILLAGE TOOLS LLC
USA, Gothenburg
Tel: +1 888 425 2337
www.wearpartssl.com

Domestic Market

Domaće tržište

AGROL DOO
Serbia, Temerin
Tel: +381 21 842 365
www.agrol.rs

AGROMARKET DOO
Serbia, Veternik
Tel: +381 21 82 34 24
www.agromarket021.com

DB-RAZVITAK DOO
Serbia, Veternik
Tel: +381 21 895 072
www.dbrazvitak.rs

JUSEL DOO
Serbia, Šabac
Tel: +381 15 30 00 00
www.jusel.com

MIKRON DOO
Serbia, Sirig
Tel: +381 21 849 538
www.mikron-doo.rs

NEPTUN DOO
Serbia, Temerin
Tel: +381 21 84 62 55
www.neptundoo.rs

TENEJ DOO
Serbia, Beograd
Tel: +381 11 74 65 655
www.tenej.com



Industrijska zona bb
21235 Temerin
SERBIA

Industrijska zona bb
21235 Temerin
SRBIJA

Sales Director +381 21 6841 222
Head of Sales +381 21 6841 190

Direktor prodaje +381 21 6841 222
Šef prodaje +381 21 6841 190

Foreign Markets +381 21 6841 205
+381 21 6841 188

Inostrana tržišta +381 21 6841 205
+381 21 6841 188

Domestic Market +381 21 6841 187

Domaće tržište +381 21 6841 187

Marketing +381 21 6841 201

Marketing +381 21 6841 201

sales@fkl-serbia.com
prodaja@fkl-serbia.com
marketing@fkl-serbia.com



www.fkl-serbia.com