



Product catalogue/Katalog

Customer Tailored Solutions in Agriculture

Poljoprivredni program prema zahtevu kupca



CATALOGUE

KATALOG

Edition 2023.

Izdanje 2023.

Copyright © 2023 FKL. All rights reserved.

These contents are the copyright of the publisher and may not be reproduced, in total or partially, without express consent of the publisher. Every precautions were taken to ensure the accuracy of the information in this publication but no liability can be accepted for any errors or omissions.

Prepared by FKL DOO Temerin, Serbia

Editors in Chief: Ljiljana Marić and Dejan Zrilić

Copy Editor: Laslo Koman, Biljana Obrenović, Jovan Tomić, Nina Đaković, Milan Mijušković and Rade Stanivuk

Photos, Layout and Prepress: Monja Madić and Oleg Vorobev

Print: LITOGRAF DOO NOVI SAD, March 2023.

Sadržaj ove publikacije je zaštićeno autorsko pravo izdavača i ne može se reprodukovati (ni u izvodima), bez izričite saglasnosti izdavača. Sva je moguća pažnja preduzeta da se osigura tačnost i ispravnost informacija, koje sadrži ova publikacija, ali se ne može prihvatiti nikakva odgovornost za bilo kakvu grešku ili propust.

Pripremljeno u FKL DOO Temerin, Srbija

Glavni urednici: Ljiljana Marić i Dejan Zrilić

Tehnički urednici: Laslo Koman, Biljana Obrenović, Jovan Tomić, Nina Đaković, Milan Mijušković i Rade Stanivuk

Grafičko uređenje i priprema za štampu: Monja Madić i Oleg Vorobev

Štampa: LITOGRAF DOO NOVI SAD, Mart 2023.

FKL[®]

Your partner for

Providing the Best Solutions



AGRO POINT HUBS
AGRO POINT GLAVČINE

- 10 IL10
- 11 IL20
- 12 IL20S
- 13 IL25
- 14 IL30
- 15 IL35
- 16 IL40
- 17 IL40 M
- 18 IL50
- 19 IL50 without shaft
- 20 IL50 M
- 21 IL50 with solid forged holder
- 22 IL50S
- 23 IL50A
- 24 IL50B
- 25 IL60
- 26 Adaptable IL60 for disc angle change
- 27 IL60C
- 28 IL70

Disc Harrow Solutions
Ležajevi i lež. jedinice tanjirače

- 30 PL-127-G
- 31 PL-140
- 32 PL-185-M30-R (L)
- 33 306230
BW1-306037
357234A
BW1-357233
BW1-457523
- 34 3206 B.2RS1
3209 NPPB.AH02
3307 B.2RS1
- 35 GWST 209PPB13
GWST 209PPB29
GWST 211PPB20
- 36 GWST 209PPB12 *ZN
GWST 209PPB39
GWST 209PPB40
GWST 211PPB15
GWST 211PPB15.H
GWST 209PPB32
GWST 211PPB40
GWST 211PPB40.X2
- 37 GW 209PPB12
GW 209PPB30
GW 211PP202
- 38 GW 211PPB20
GW 211PPB21
GW 211PP25
- 39 GWR 209PPB30
GWR 211PPB21
- 40 SBX 1227
- 41 GWHG 211PP25
GWHGR 211PP202

Seeding Machine Solutions
Ležajevi i lež. jedinice sejačice

- 44 VP-16/40/74,5
VP-M20x1.5/40/72-R (L)
- 45 885152
885154B.1
- 46 3204 B.2RS1
3204 T
3205 B.2RS1
- 47 5206 KPP3
XS 5203.B-2T
- 48 06C04-TS
- 49 SL 3303 2S
SL 3303-2S-20
SL 5203.B-2T
SL 5203.B-2T-A
SL 5203/17.B-2T
SL2 5203.B-2T
SL 5204/16.25-2T
SL 5204/20-2T
SL 5204-ST
- 50 SL 53-014-2T
SL 5316 2T
- 51 SLE 47-16S-2RS
SLE 53-012-2T
SLU 53-012-2T
- 52 205KRP2
- 53 203KRR.AH02
203KPP.AH02
203KRR.AH05
203KPP.AH05
Q 203PP.AH02
Q 203PP.AH05
Q 203PP-CC.AH05
- 54 204KRR2
204KRRB2
204KRR
203KRR
- 55 PL-7517
PL-7420
PL-7520

- 59 ZGKU 208 2S
ZGKU 309 2S
- 60 LSQR 205 FS
LSQR 207 TBS
- 61 LSNN 208 TDT.H.T*K
LSNR 205 2T
LSNR 207 TBS
- 62 LSQFH 210 2PB.H
- 63 LESQFS 212 TDT.H
- 64 ARMOR Bearing Unit
- 65 LENN 206 2TC.H
LENN 208 2T
LENN 210 2T
LEFN 205 2TC
LEFN 208 2TC
LEFC 210 2PB
LEFN 210 2PC
LEFN 210 2PB
- 66 LEFN 212 2TB
LEFN 212 M 2TB

Packer Baler Solutions
Ležajevi balirke

- 68 CBK 320
- 69 LR-35/72
- 70 SL 15/40/14.4 2RS

Harvester Solutions
Ležajevi i lež. jedinice kombajna

- 72 SL 40/90/36.5
- 73 209 KRR K/50.135
207KRRB9
G207 KPP3 AH16
- 74 LY
- 75 UY
- 76 W 208PPB16
W 208PP16
- 77 Bearing Units with GS type housing

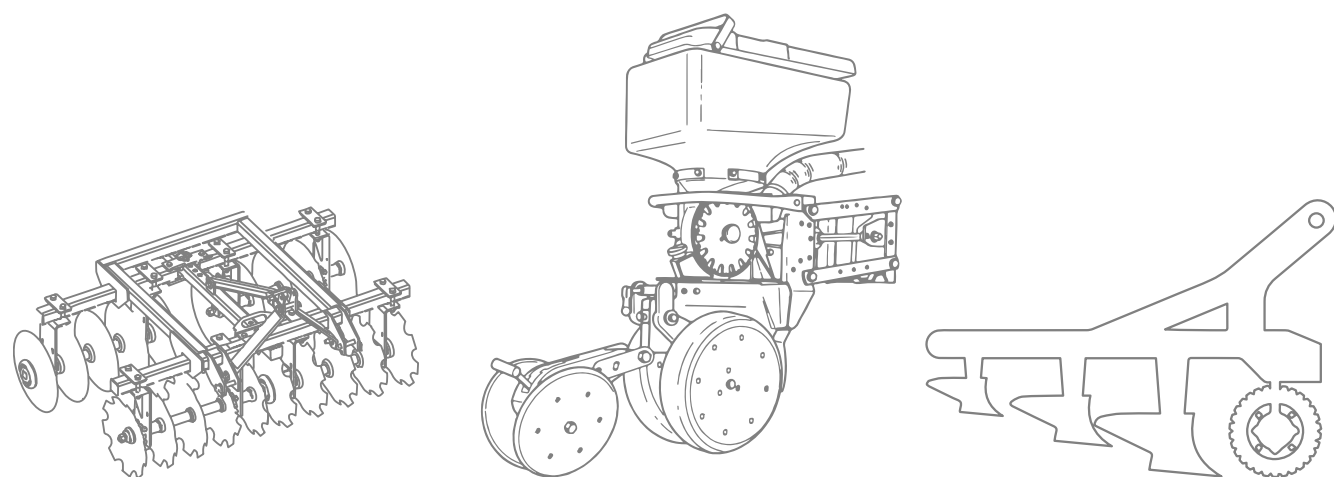
Packer Roller Solutions
Ležajevi i lež. jedinice valjka

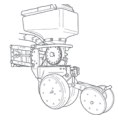
- 58 LSQFR 308 TDT.H.T
LSQFR 308 2TB.H.T
LSQFR 308-13.5 TDT.H.T
LSQFR 309 2TB.H.T
LSQFR 309-16-2TB.H.T

- 80 FKL Distributors/*FKL Distributeri*



AGRO POINT HUBS
AGRO POINT GLAVČINE

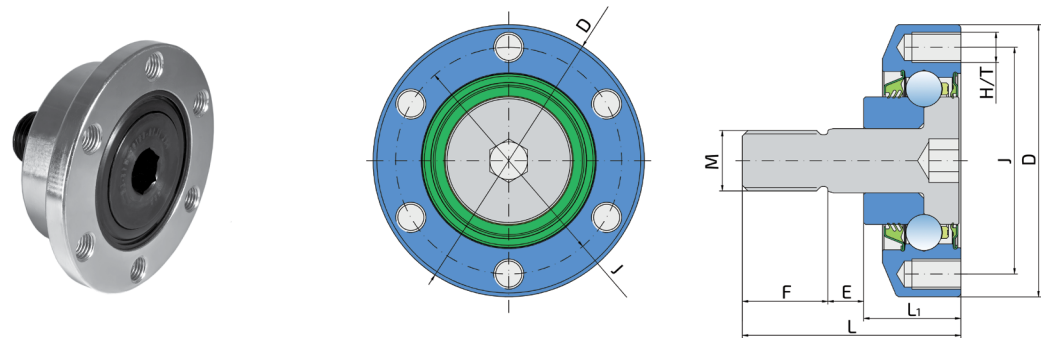




AGRO POINT HUB

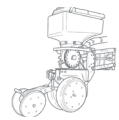
AGRO POINT GLAVČINA

IL10



C = 32 kN
C₀ = 22 kN

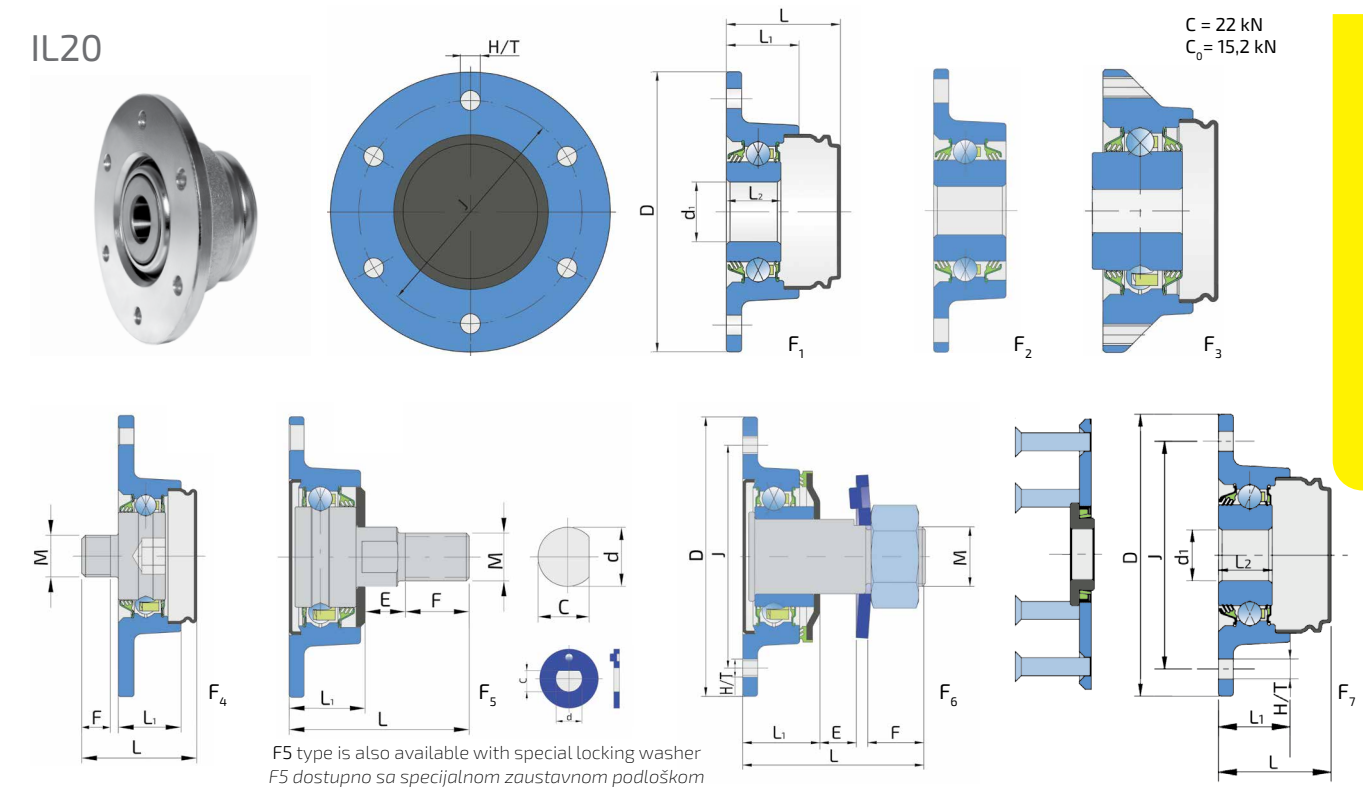
Designation/Oznaka	J	D	H/T	M	L	L ₁	E	F	kg
IL10-60/6T-M16-58	60	72	6xM8x1	M16x1.5	58	25.8	9.5	22.7	0.59



AGRO POINT HUB

AGRO POINT GLAVČINA

IL20



C = 22 kN
C₀ = 15.2 kN

F5 type is also available with special locking washer
F5 dostupno sa specijalnom zaustavnom podloškom

Designation/Oznaka	J	D	H/T	d	C	d ₁	M	L	L ₁	L ₂	E	F	kg	Fig./Sl.
IL20-70/6T-B12	70	80	6xM6	-	-	12.2	-	32.5	25.5	25.5	-	-	0.59	3
IL20-71/6T-B16	71	81	6xM8	-	-	16.03	-	25.5	-	22.5	-	-	0.51	2
IL20-73/6H-B16	73.5	94	6x6.4	-	-	16	-	40.7	24	27	-	-	0.75	1
IL20-74/6H-B20	74	94	6x9	-	-	20	-	37.7	24	18	-	-	0.48	1
IL20-75/4H-M20x1.5-T-44	75	94	4x8.5	25	23	-	M20x1.5	61	26	-	-	20	0.77	6
IL20-75/6H-B16	75	94	6x6.4	-	-	16	-	37.7	24	18	-	-	0.50	1
IL20-75/6H-B17	75	94	6x6.4	-	-	17	-	37.7	24	18	-	-	0.50	1
IL20-75/6T-B17	75	94	6xM8	-	-	17	-	37.7	24	18	-	-	0.50	1
IL20-75/6H-B17+GK	75	94	6x6.4	-	-	17	-	37.7	24	18	-	-	0.75	7
IL20-75/6H-B20	75	94	6x6.4	-	-	20	-	37.7	24	18	-	-	0.50	1
IL20-75/6T-M20x1.5-T-44	75	94	6xM6	25	23	-	M20x1.5	61	26	-	-	20	0.77	6
IL20-79/6H-B16	79.4	94	6x8.1	-	-	16	-	24	-	24	-	-	0.50	2
IL20-80/5H-M16	80	94	5x8.5	20	18.5	-	M16	60.5	25.5	-	13.5	21.5	0.66	5
IL20-80/6H-B16	80	108	6x16	-	-	16	-	44.2	31.5	18	-	-	0.70	1
IL20-80/6H-M16	80	94	6x8.5	20	18.5	-	M16	60.5	25.5	-	13.5	21.5	0.59	5
IL20-80/6T-M16x2	80	94	6xM8x1.25	20	18.5	-	M16x2	71.6	38	-	12.4	21.2	0.73	5
IL20-82/5T-B16	82	108	5xM8	-	-	16.2	-	24	-	24	-	-	0.64	2
IL20-85/6H-B20	85	95	6x6.4	-	-	20	-	37.7	24	18	-	-	0.48	1
IL20-92/5H-M16-R	92	108	5x6.4	-	-	-	M16x1.5-R	51.7	24	-	-	14	0.67	4
IL20-92/5H-M16-L	92	108	5x6.4	-	-	-	M16x1.5-L	51.7	24	-	-	14	0.67	4

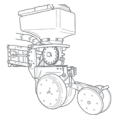
Typical Applications:
Potencijalno mesto ugradnje i primena:

Seeding Machines
Sejačice

Typical Applications:
Potencijalno mesto ugradnje i primena:

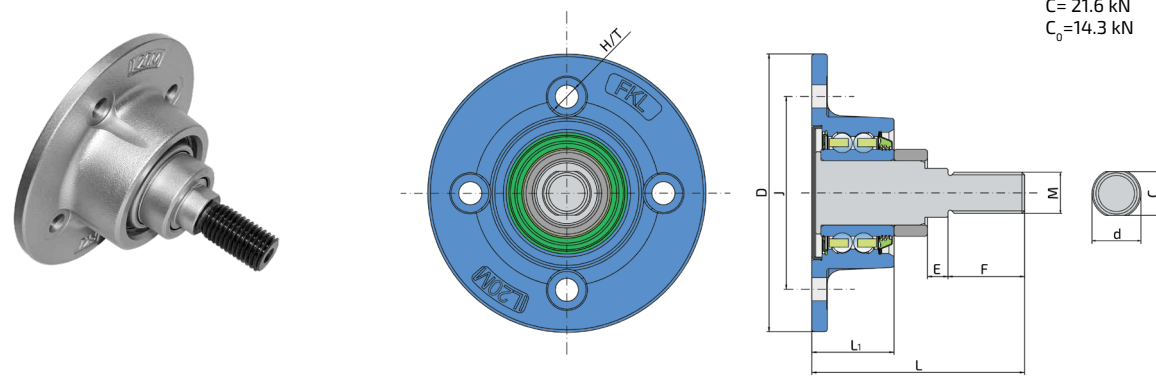
Seeding Machines
Sejačice

Note/Napomena
Metal protective cap is set by the user/Limenu zaštitnu kapu postavlja korisnik



AGRO POINT HUB AGRO POINT GLAVČINA

IL205



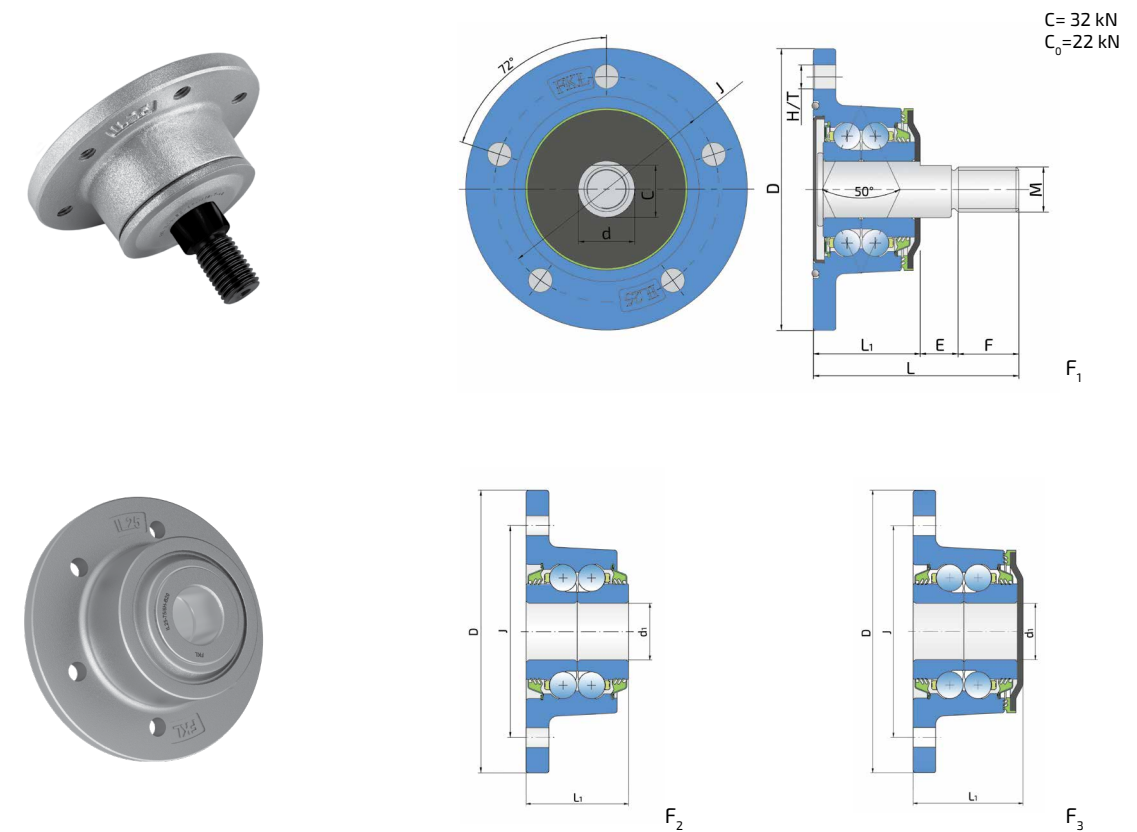
Designation/Oznaka	J	D	H/T	d	C	M	L	L ₁	E	F	kg
IL205 -75/4H-M16	75	108	4x9	19	17	M16	82.8	32	8	29.8	0.973

Typical Applications:
Potencijalno mesto ugradnje i primena:

Seeding Machines
Sejačice

AGRO POINT HUB AGRO POINT GLAVČINA

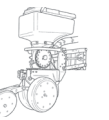
IL25



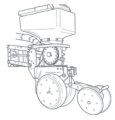
Designation/Oznaka	J	D	H/T	d	C	d ₁	M	L	L ₁	E	F	kg	Fig./Sl.
IL25-75/6H-B20	75	100	5x7	-	-	20	-	-	36	-	-	0.78	2
IL25-75/6H-B20-T	75	100	5x7	-	-	20	-	-	39	-	-	0.78	3
IL25-80/5H-M16-T	80	100	5x8.5	20	18.5	-	M16	73	38	13.5	21.5	0.99	1
IL25-80/6T-M16-T-40	80	100	6xM8	20	18.5	-	M16	73	38	13.5	21.5	0.99	1
IL25-80/6T-M16-T	80	100	6xM8	20	18.5	-	M16	73	38	11	24	0.99	1
IL25-85/4T-B20-T	85	100	4xM8	-	-	20	-	-	39	-	-	0.78	3
IL25-85/4T-M16-T	85	100	4xM8	20	18.5	-	M16	73	38	13.5	21.5	0.94	1
IL25-98/4T-B20	98	117	4xM12x1.25	-	-	20	-	-	36	-	-	0.78	2
IL25-98/4T-B20-T	98	117	4xM12x1.25	-	-	20	-	-	39	-	-	0.78	3

Typical Applications:
Potencijalno mesto ugradnje i primena:

Finger weeders/Prstasti diskovi za uklanjanje korova
Seeding machines for No-till and Strip-till/Diskovi sejačica za "No-till" i "Strip-till" obradu
Coulter discs for seeding machines/Diskovi-raonici na sejačicama
Marker discs for ploughs and seeding machines/Diskovi obeleživači na plugovima i sejačicama



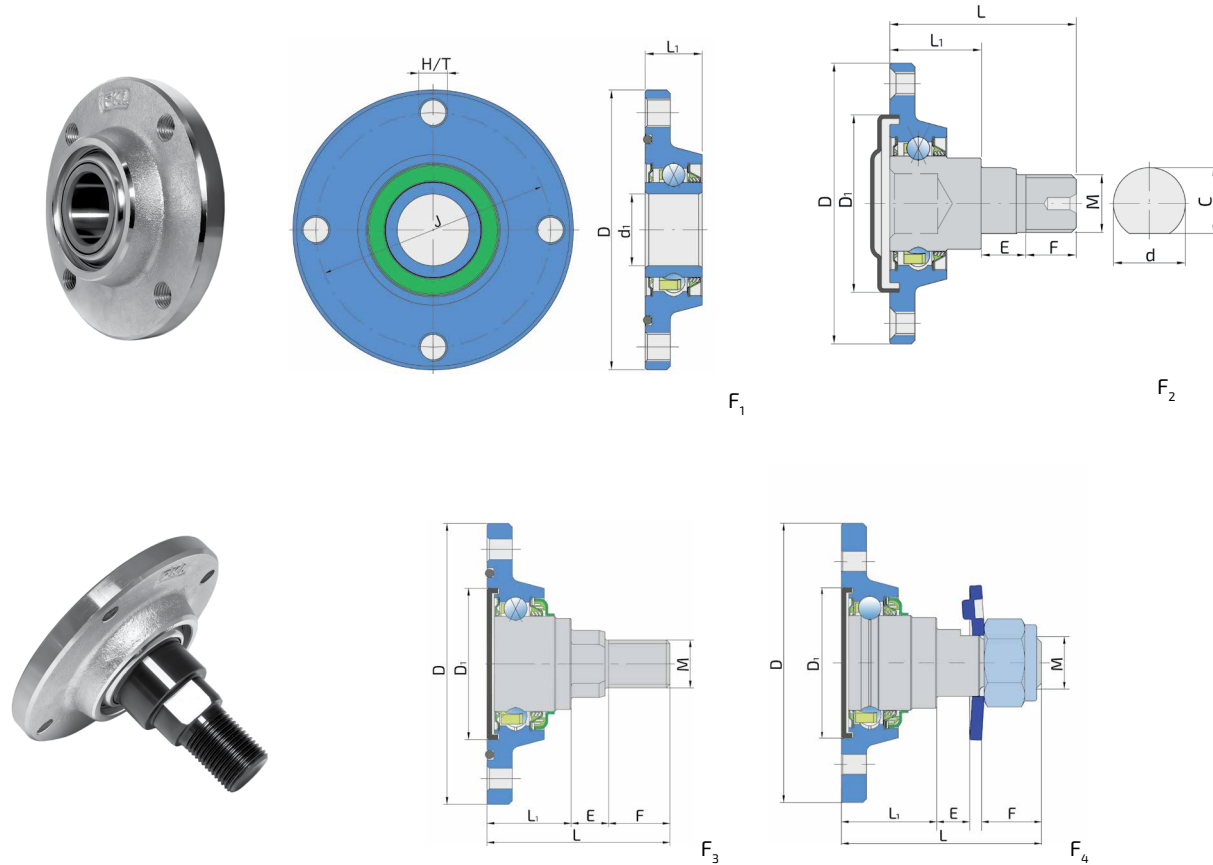
AGRO POINT HUB
AGRO POINT GLAVČINA



AGRO POINT HUBS
AGRO POINT GLAVČINE

IL30

C = 29,6 kN
C₀ = 21 kN

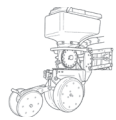


Designation/Oznaka	J	D	D ₁	H/T	d	C	d ₁	M	L	L ₁	E	F	kg	Fig./SL
IL30-85/4H-M22-04	85	117	63	4x8.3	28	25.4	-	M22x1.5	81	40	12	25	1.50	4
IL30-95/6H-M20	95.5	117	63	6x8.5	28	25.4	-	M20	76	35	15.5	25.5	1.21	3
IL30-98/4T-B30	98	117	-	4xM12x1.25	-	-	30	-	-	23.8	-	-	0.91	1
IL30-98/4T-M20	98	117	63	4xM8	20	17	-	M20	77	40	7	30	1.14	3
IL30-98/4H-B30	98	117	-	4x10	-	-	30	-	-	23.8	-	-	0.91	1
IL30-98/5T-B30	98	117	-	5xM12x1.5	-	-	30	-	-	24.8	-	-	0.93	1
IL30-100/4T-M24x2	100	117	74	4xM10	30	27.5	-	M24x2	89	42.3	18.7	28	1.51	2

Typical Applications:
Potencijalno mesto ugradnje i primena:

Seeding machines for No-till and Strip-till farming technology / Diskovi sejačica za "No-till" i "Strip-till" obradu
Coulter discs for seeding machines / Diskovi-raonici na sejačicama
Marker discs for ploughs / Diskovi obeleživači na plugovima

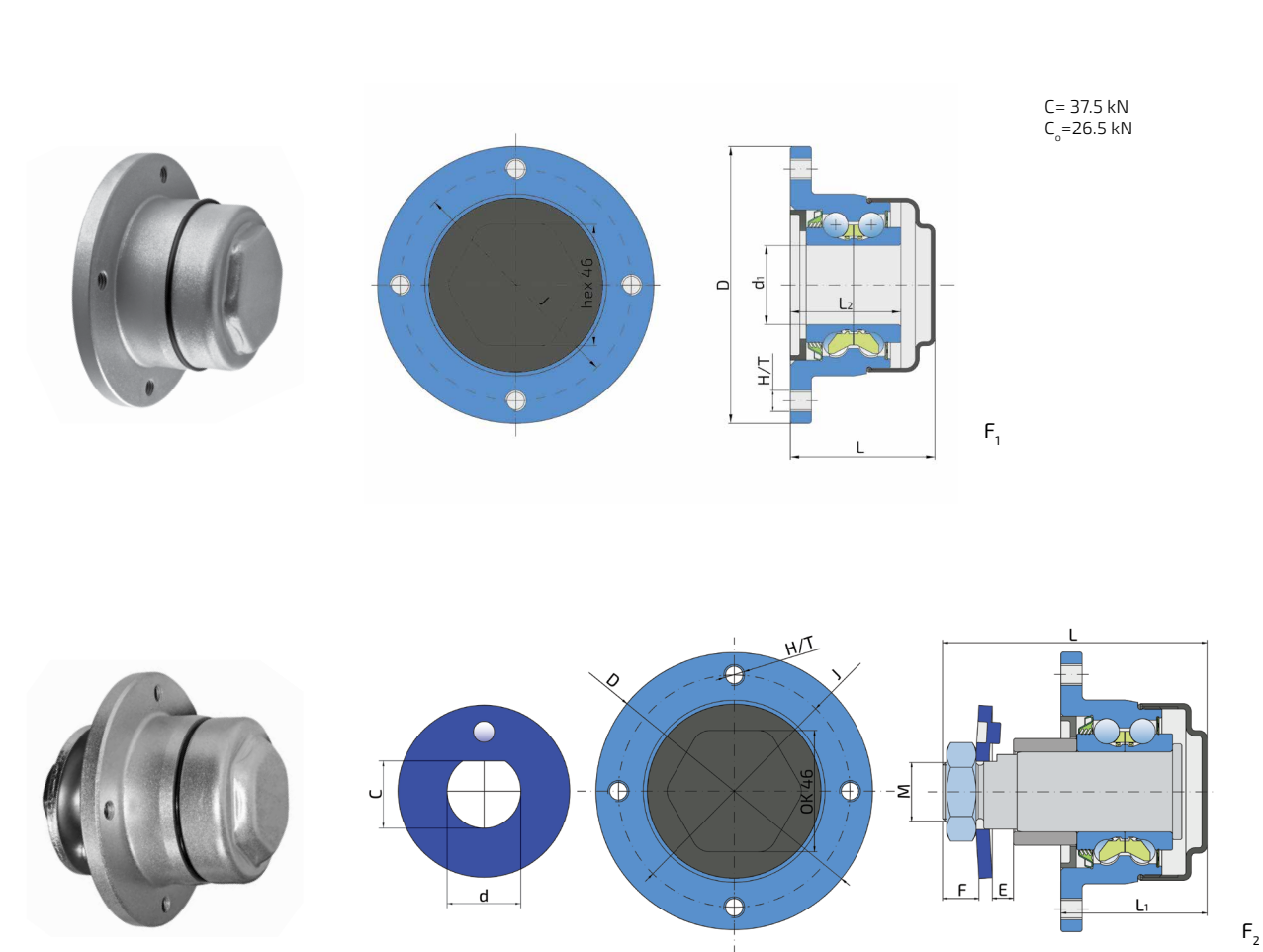
AGRO POINT HUB
AGRO POINT GLAVČINA



AGRO POINT HUBS
AGRO POINT GLAVČINE

IL35

C = 37.5 kN
C₀ = 26.5 kN



Designation/Oznaka	J	D	H/T	d	d ₁	C	M	L	L ₁	L ₂	E	F	kg	Fig./SL
IL35-88/4T-04	88	105	4x8x1.25	30	-	24.7	M22x1.5	108	55	-	8	13.5	1.75	2
IL35-88/4T-B30	88	105	4x8x1.25	-	30	-	-	55	-	42	-	-	1.05	1

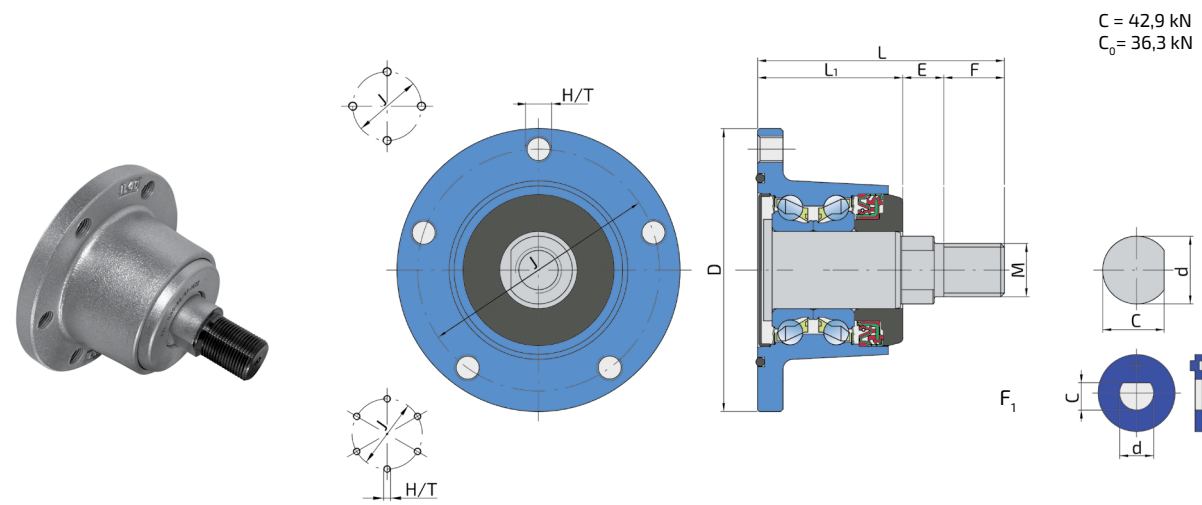
Typical Applications:
Potencijalno mesto ugradnje i primena:

Seeding Machines and Manure Handling Machines
Sejačice i mašine za dubrenje

AGRO POINT HUB AGRO POINT GLAVČINA

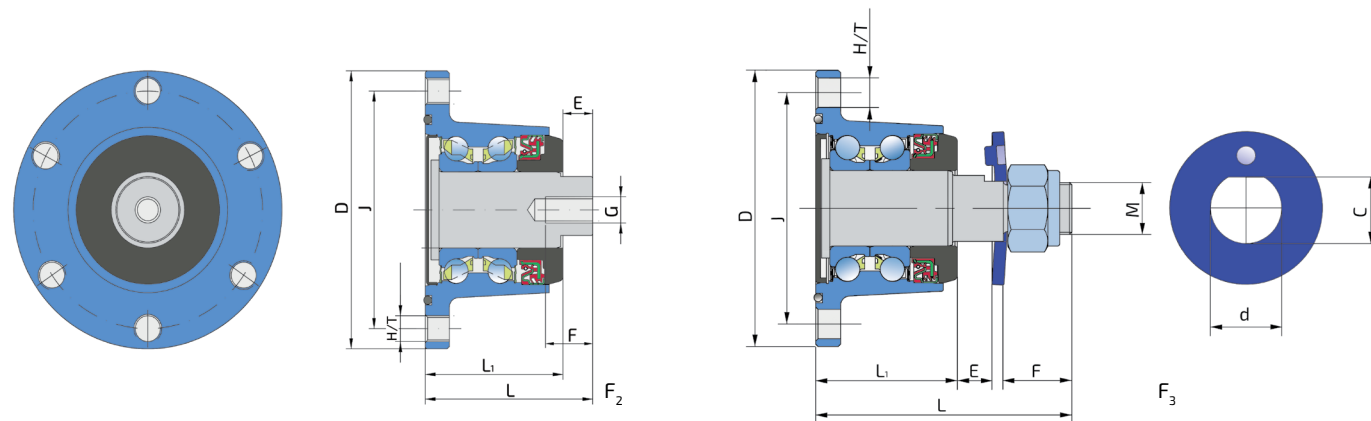


IL40



Available hole patterns - H-hole, T-threaded hole
Vrsta otvora na prirubnici: H - bez navoja, T - sa navojem

Available with special locking washer
Dostupno sa specijalnom
zaustavnom podloškom



Designation/Oznaka	J	D	H/T	d	C	M	G	L	L ₁	E	F	kg	Fig./Sl.
IL40-98/4T-M22	98	117	4xM12x1.25	27.95	25.4	M22x1.5	-	102	60	17	25	2.16	1
IL40-98/4T-M24x2-44	98	117	4xM12x1.25	30	27.5	M24x2	-	106	60	10	31	2.38	3
IL40-98/5T-M22	98	117	5xM12x1.25	27.95	25.4	M22x1.5	-	102	60	17	25	2.16	1
IL40-98/6T-M22	98	117	6xM12x1.25	27.95	25.4	M22x1.5	-	102	60	17	25	2.16	1
IL40-98/4T-M24	98	117	4xM12x1.25	30	27.5	M24x2	-	106	60	17	29	2.16	1
IL40-98/5H-M22-04	98	117	5x12.5	27.95	25.4	M22x1.5	-	108.5	60	16	29	2.36	3
IL40-98/5T-M24	98	117	5xM12x1.25	30	27.5	M24x2	-	106	60	17	29	2.20	1
IL40-98/6T-M24	98	117	6xM12x1.25	30	27.5	M24x2	-	106	60	17	29	2.20	1
IL40-100/6T-M20x1.5	100	117	6xM10	34	31	-	M20x1.5	69	55	14	26	2	2

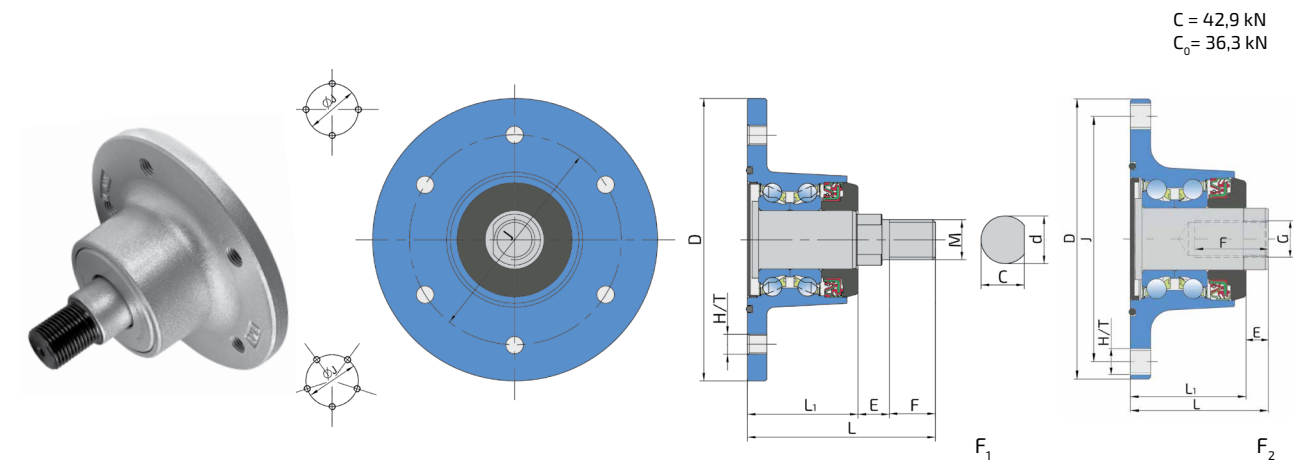
Typical Applications:
Potencijalno mesto ugradnje i primena:

Disc Harrows
Tanjirače

AGRO POINT HUB AGRO POINT GLAVČINA



IL40 M



Designation/Oznaka	J	D	H/T	d	C	M	G	L	L ₁	E	F	kg	Fig./Sl.
IL40-104/5T-M22x1.5-01	104	145	5xM12x1.25	27.95	25.4	M22x1.5	-	101	55	21	25	2.48	1
IL40-108/5T-M22x1.5	108	145	5xM12x1.25	27.95	25.4	M22x1.5	-	102	60	17	29	2.70	1
IL40-110/4H-M24x1.5	110	145	4x13	24	22.5	M24x1.5	-	129	74	20	35	2.81	1
IL40-110/4H-M30x2	110	145	4x13	34.9	32.4	M30x2	-	134	76	20	38	3.20	1
IL40-110/6H-M22x1.5	110	145	6x10.5	28	25.4	M22x1.5	-	110	60	17	33	2.62	1
IL40-112/5T-M24x2	112	145	5xM12x1.5	30	28	M24x2	-	101	55	21	25	2.48	1
IL40-115/5H-M22x1.5	115	145	5x13	28	25.5	M22x1.5	-	101	55	18	28	2.48	1
IL40-120/4H-M22x1.5	120	145	4x11	28	25.4	M22x1.5	-	110	60	17	33	2.79	1
IL40-127/4T-3/4-16UNF	127	145	4x1/2"-13UNC	31.8	29	-	3/4"-16 UNF	71.5	60	11.5	38.1	2.50	2

Typical Applications:
Potencijalno mesto ugradnje i primena:

Disc Harrows
Tanjirače

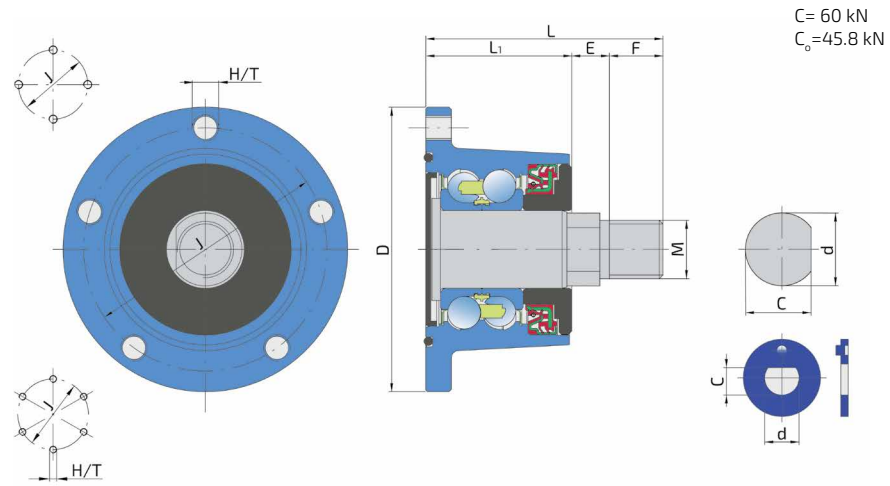
AGRO POINT HUB

AGRO POINT GLAVČINA



AGRO POINT HUBS
AGRO POINT GLAVČINE

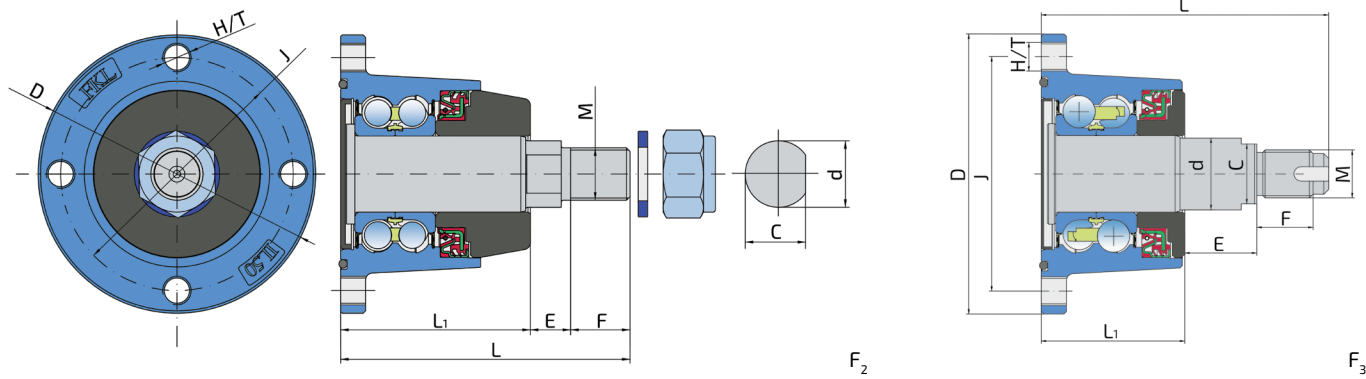
IL50



C = 60 kN
C₀ = 45,8 kN

Available hole patterns - H-hole, T-threaded hole
Vrsta otvora na priрубnici: H - bez navoja, T - sa navojem

Available with special locking washer
Dostupno sa specijalnom zaustavnom podloškom



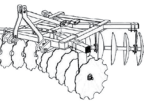
Designation/Oznaka	J	D	H/T	d	C	C ₁	M	L	L ₁	E	F	kg	Fig./Sl.
IL50-98/4T-M20x1.5	98	117	4xM12x1.25	30	25	-	M20x1.5	120.1	60	30.1	23.5	2.57	3
IL50-98/4T-M22	98	117	4xM12x1.25	27.95	25.4	-	M22x1.5	102	60	17	25	2.51	1
IL50-98/4T-M22x1.5-44	98	117	4xM12x1.25	27.95	25.4	-	M22x1.5	107	60	19	28	2.72	1
IL50-98/4T-M22x1.5-117	98	117	4xM12x1.25	27.95	25.4	-	M22x1.5	117	60	17	27	2.55	1
IL50-98/4T-M22-122-02	98	117	4xM12x1.25	27.95	25.4	-	M22x1.5	122	80	17	25	3.15	2
IL50-98/5T-M22	98	117	5xM12x1.25	27.95	25.4	-	M22x1.5	102	60	17	25	2.50	1
IL50-98/6T-M22	98	117	6xM12x1.25	27.95	25.4	-	M22x1.5	102	60	17	25	2.51	1
IL50-98/6T-M22-113	98	117	6xM12x1.25	27.95	25.4	-	M22x1.5	113	60	28	25	2.54	1
IL50-98/4T-M24	98	117	4xM12x1.25	30	27.5	-	M24x2	106	60	17	29	2.55	1
IL50-98/5T-M24	98	117	5xM12x1.25	30	27.5	-	M24x2	106	60	17	29	2.55	1
IL50-98/6T-M24	98	117	6xM12x1.25	30	27.5	-	M24x2	106	60	17	29	2.51	1
IL50-100/4T-1"	100	117	4xM10	30	27.95	-	1" SAE14h	125	60	36	29	2.67	1
IL50-100/6T-M24.R	100	117	6xM10x1.25	30	27	-	M24x1.5	97.5	60	15.5	22	2.51	1
IL50-100/6T-M24.L	100	117	6xM10x1.25	30	27	-	M24x1.5-L	97.5	60	15.5	22	2.51	1
IL50-103/5T-M22	103	119	5xM12x1.25	27.95	25.4	-	M22x1.5	102	60	17	25	2.51	1

Typical Applications:
Potencijalno mesto ugradnje i primena:

Disc Harrows
Tanjirače

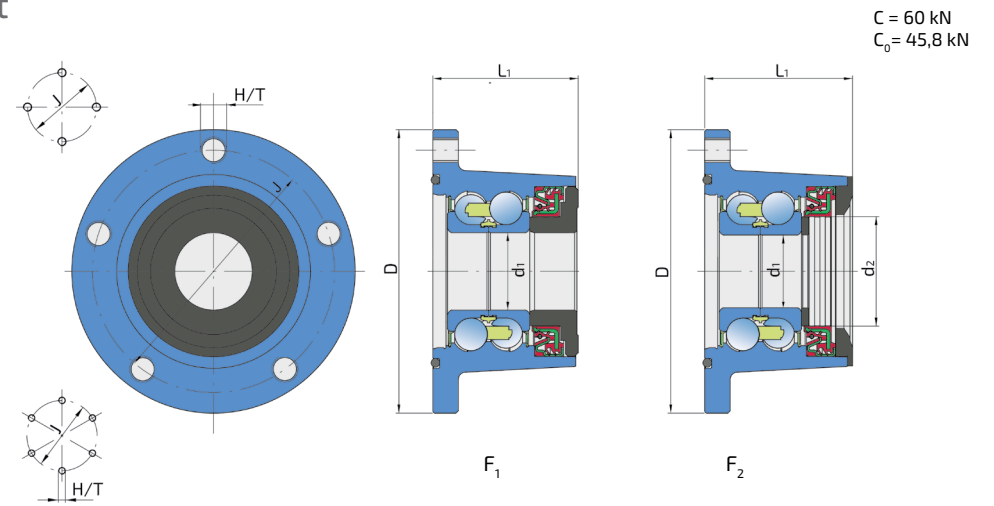
AGRO POINT HUB

AGRO POINT GLAVČINA



AGRO POINT HUBS
AGRO POINT GLAVČINE

IL50 without shaft
IL50 bez osovine



C = 60 kN
C₀ = 45,8 kN

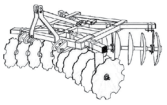
Available hole patterns - H-hole, T-threaded hole
Vrsta otvora na priрубnici: H - bez navoja, T - sa navojem

Designation/Oznaka	J	D	H/T	d ₁	d ₂	L ₁	kg	Fig./Sl.
IL50-98/4T-B30-F	98	117	4xM12x1.25	30	45	61	1.87	2
IL50-98/4T-B30-J	98	117	4xM12x1.25	30	-	60	1.96	1
IL50-98/6T-B30-J	98	117	6xM12x1.25	30	-	60	1.95	1

Typical Applications:
Potencijalno mesto ugradnje i primena:

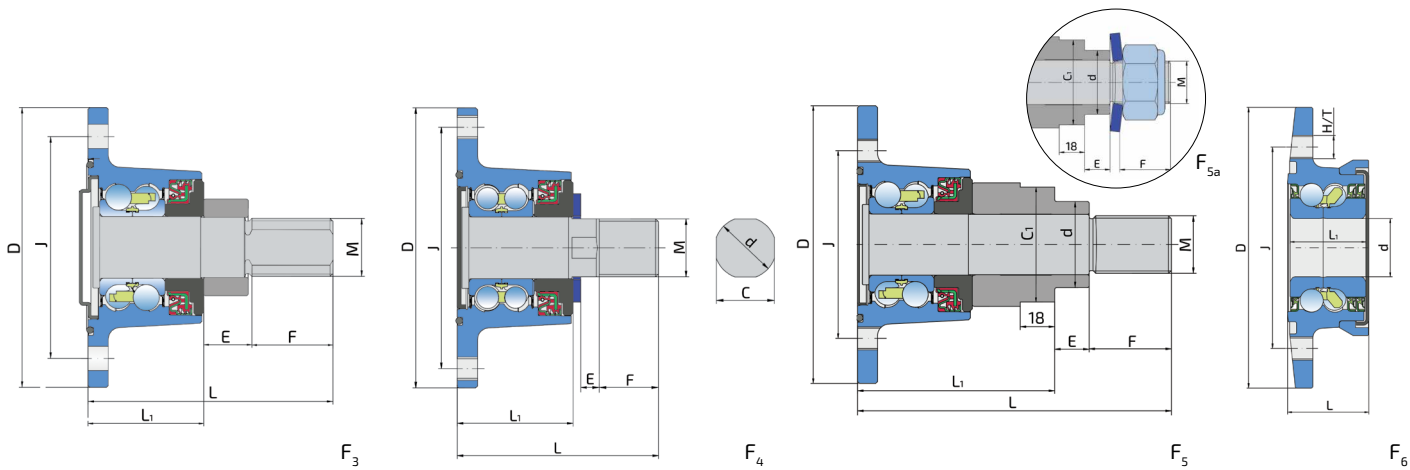
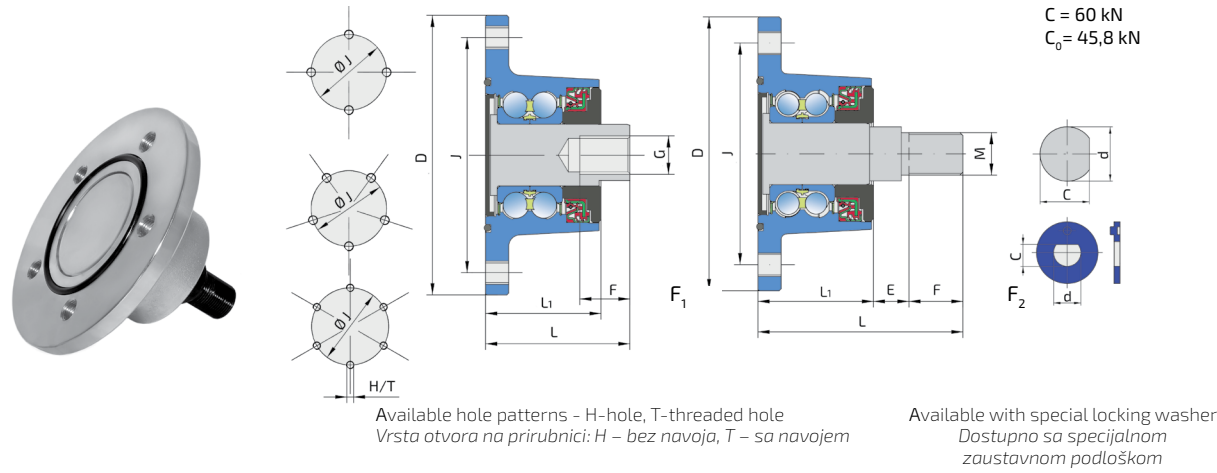
Disc Harrows
Tanjirače

AGRO POINT HUB
AGRO POINT GLAVČINA



AGRO POINT HUBS
AGRO POINT GLAVČINE

IL50 M



Designation/Oznaka	J	D	H/T	d	C	C ₁	M	G	L	L ₁	E	F	kg	Fig./Sl.
IL50-98/4T-M30x2-164	98	145	4xM12x1.25	45	-	60	M30x2	-	164	103	18	43	4.37	5
IL50-104/4T-B30	104	145	4xM12x1.25	30	28	-	-	-	41.8	39	-	-	3.41	6
IL50-104/5T-04	104	145	5xM12	27.95	25.4	-	M22x1.5	-	107	60	15	27	3.18	2
IL50-105/4H-M24x1.5-RH	105	145	4x12.3	30	27	-	M24x1.5-RH	-	97.5	60	15.5	22	3.10	2
IL50-105/4H-M24x1.5-LH	105	145	4x12.3	30	27	-	M24x1.5-LH	-	97.5	60	15.5	22	3.10	2
IL50-112/5T-M24x2	112	145	5xM12x1.25	30	28	-	M24x2	-	106	60	20	26	3.02	2
IL50-115/5H-M22	115	145	5x13	27.95	25.4	-	M22x1.5	-	102	60	17	25	2.95	2
IL50-115/4H-M30x2	115	145	4x12.5	30	26.9	-	M30x2	-	127	60	25	42	3.38	3
IL50-120/6H-M24x1.5	120	145	6x13	30	27	-	M24x1.5	-	97.5	60	15.5	22	2.96	2
IL50-122/6T-M20x1.5	122	145	6xM12x1.25	31.8	29	-	-	M20x1.5	75	60	15	26	2.99	1
IL50-125/4T-M30x2	125	145	4xM12-6H	32	30	-	M30x2	-	104.3	60	9.5	30.7	3.15	4
IL50-125/6T-M30x2-164	125	145	6xM12x1.75	45	-	60	M30x2	-	164	103	18	36	4.79	5a

Typical Applications:
Potencijalno mesto ugradnje i primena:

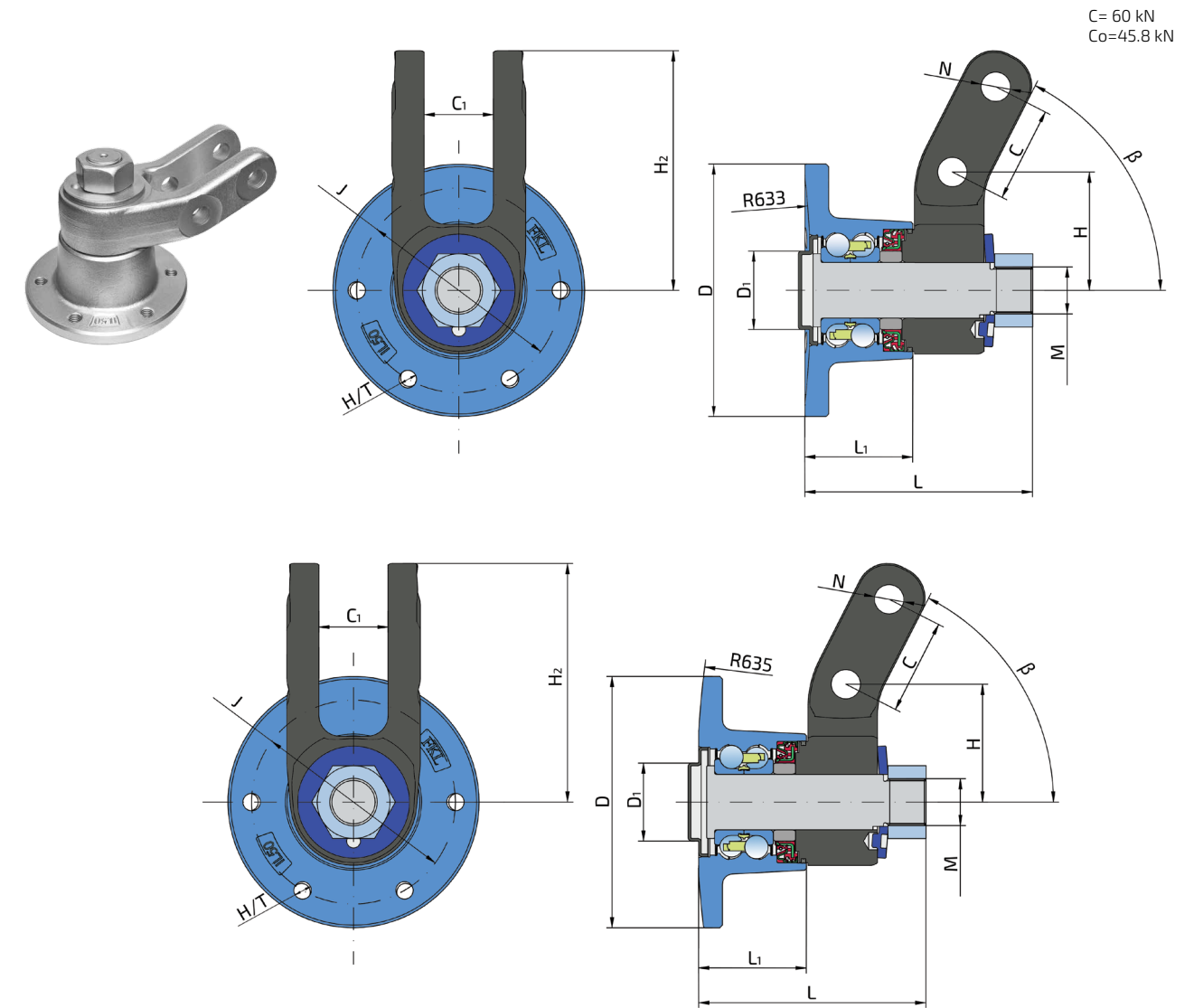
Disc Harrows
Tanjirače

AGRO POINT HUB
AGRO POINT GLAVČINA



AGRO POINT HUBS
AGRO POINT GLAVČINE

IL50 with solid forged holder
IL50 sa čvrstim kovanim nosačem



Designation/Oznaka	J	D	D ₁	C	C ₁	M	H/T	H	H ₂	N	L	L ₁	R	β	kg	Fig./Sl.
IL50-120/6T-44-R633-ED2	120	145	45	55	40	M27x2	6xM12x1.75	68	137.7	17	131.2	62.2	633	63	6.08	1
IL50-120/6T-44-R635-ED2	120	145	45	55	40	M27x2	6xM12x1.75	68	137.7	17	131.2	62.2	635	63	6.08	2

Typical Applications:
Potencijalno mesto ugradnje i primena:

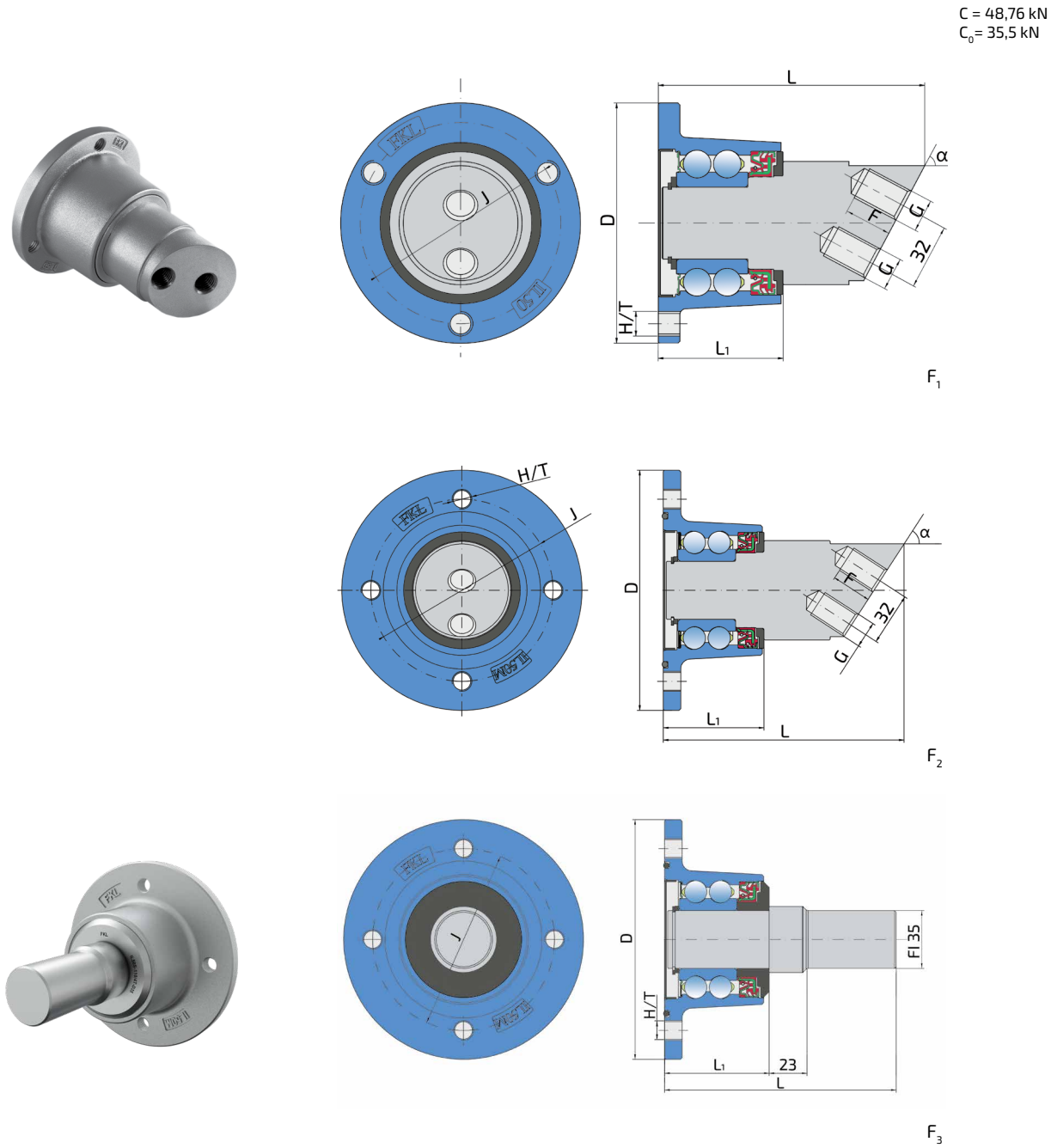
Disc Harrows
Tanjirače

AGRO POINT HUB
AGRO POINT GLAVČINA



AGRO POINT HUBS
AGRO POINT GLAVČINE

IL50S

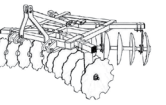


Designation/Oznaka	J	D	H/T	G	L	L ₁	F	α	kg	Fig./Sl.
IL50S-98/3T-2xM16	98	117	3xM12	M16x2	130	59.8	23	62	3.40	1
IL50S-110/4T-D35	110	145	4xM12x1.25	-	140	63	-	-	3.317	3
IL50S-110/4T-2xM16-40	110	145	4xM12x1.25	M16x2	145.4	61	24	57	3.973	2

Typical Applications:
Potencijalno mesto ugradnje i primena:

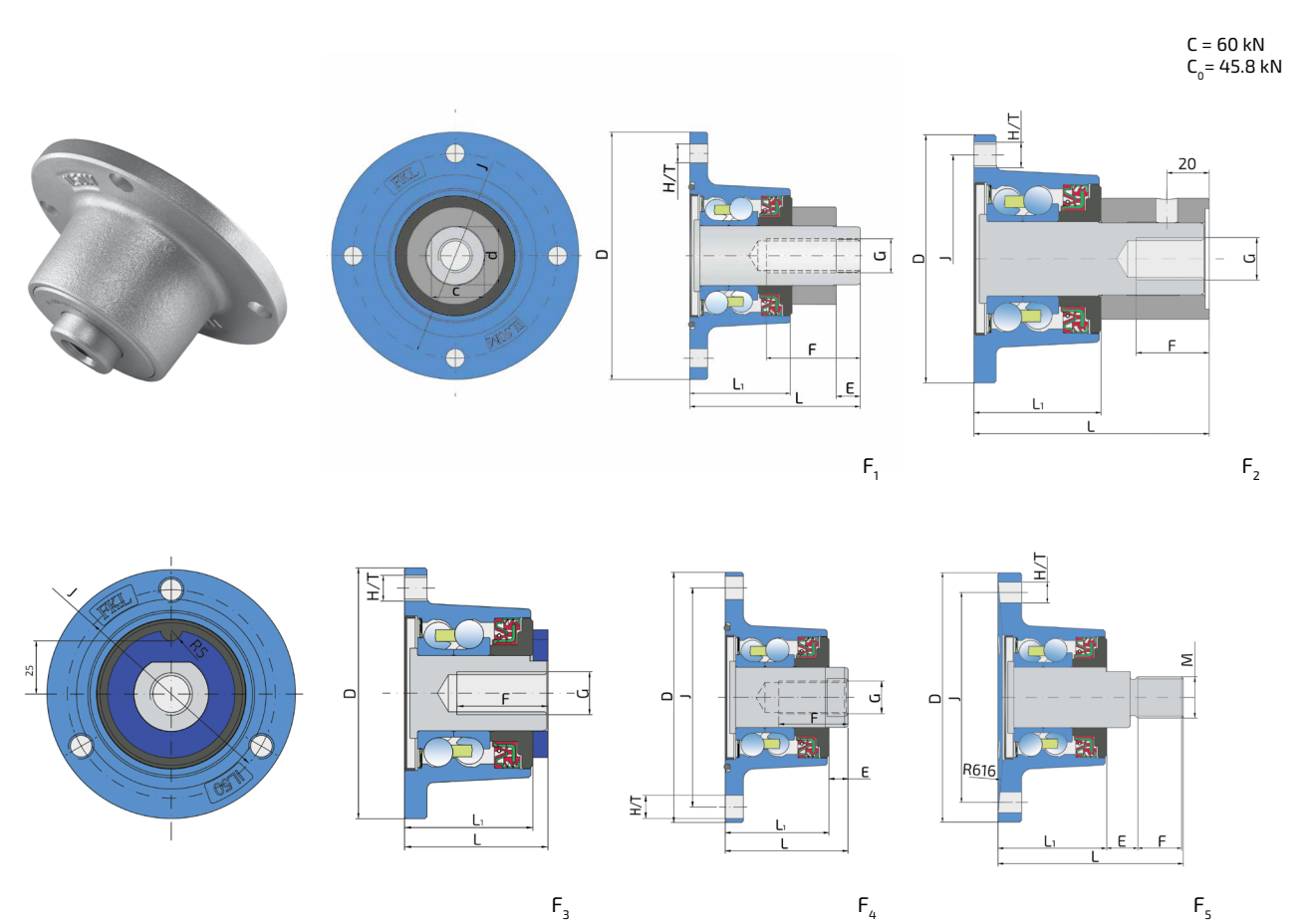
Disc Harrows
Tanjirače

AGRO POINT HUB
AGRO POINT GLAVČINA



AGRO POINT HUBS
AGRO POINT GLAVČINE

IL50A



Designation/Oznaka	J	D	H/T	d	C	M	G	L	L ₁	E	F	kg	Fig./Sl.
IL50A-98/3T-M20-10.2 *	98	117	3xM12	-	-	-	M20	111	60	-	32	3.19	2
IL50A-98/3T-M20-R5 *	98	117	3xM12	35	32.5	-	M20	67	60	-	42	2.34	3
IL50A-120/4H-M24	120	145	4x11	34	28	M24	-	100	60	14	55	3.17	1
IL50A-120/4H-M20	120	145	4x11	34	31	-	M20	100	60	14	55	3.23	1
IL50A-122/6H-M24x2-R616 *	122	145	6x12	35	32.5	M24x2	-	107.7	63.2	18	26.5	3.01	5
IL50A-127/4H-3/4-16UNF	127	145	4x13.5±0.7	34.9	31	-	3/4"-16UNF	71	60	11	40	2.70	4

*Replacement for IL50S

Typical Applications:
Potencijalno mesto ugradnje i primena:

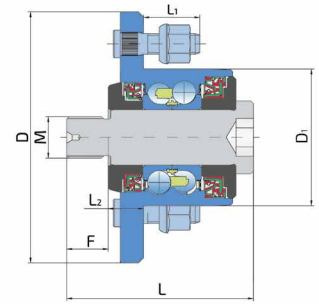
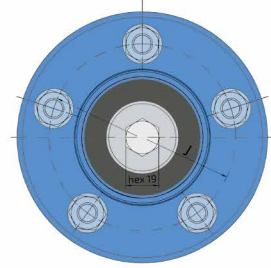
Disc Harrows
Tanjirače

AGRO POINT HUB
AGRO POINT GLAVČINA

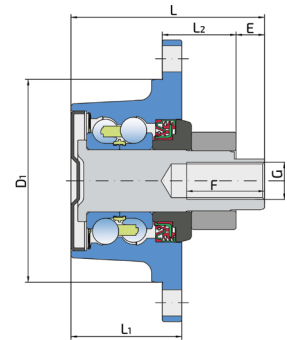
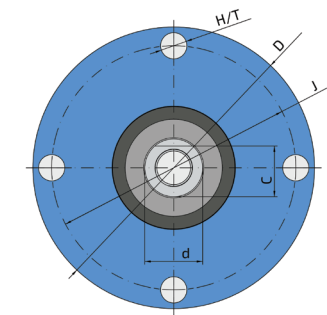


AGRO POINT HUBS
AGRO POINT GLAVČINE

IL50B



C = 60 kN
C₀ = 45.8 kN



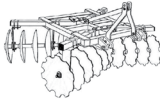
F₂

Designation/Oznaka	J	D	D ₁	H/T	d	C	M	G	L	L ₁	L ₂	E	F	kg	Fig./Sl.
IL50B-108/5T-M24x2-RH	108	145	79	5xM12x1.5	-	-	M24x2-RH	-	108	-	20.5	-	24	3.99	1
IL50B-108/5T-M24x2-LH	108	145	79	5xM12x1.5	-	-	M24x2-LH	-	108	-	20.5	-	24	3.99	1
IL50B-125.7/4H-3/4-16UNF	125.7	145	104.5	4x13.5	29.75	26.1	-	3/4"-16UNF	99.6	57	38	14.6	40	3.25	2

Typical Applications:
Potencijalno mesto ugradnje i primena:

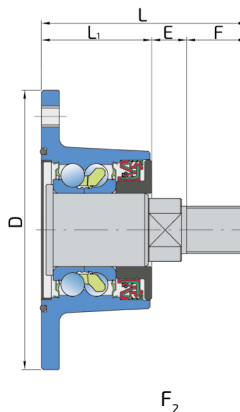
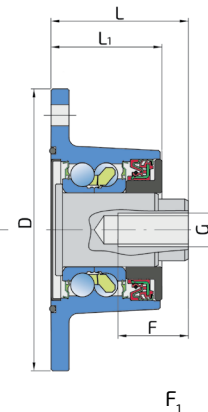
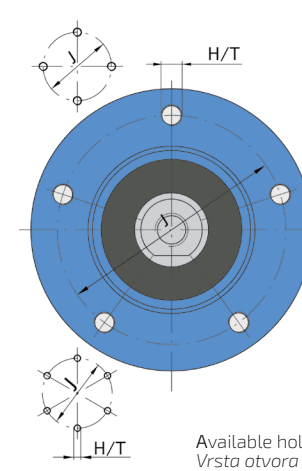
Disc Harrows
Tanjirače

AGRO POINT HUB
AGRO POINT GLAVČINA



AGRO POINT HUBS
AGRO POINT GLAVČINE

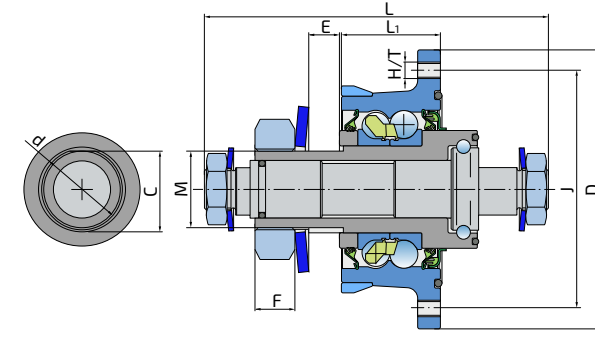
IL60



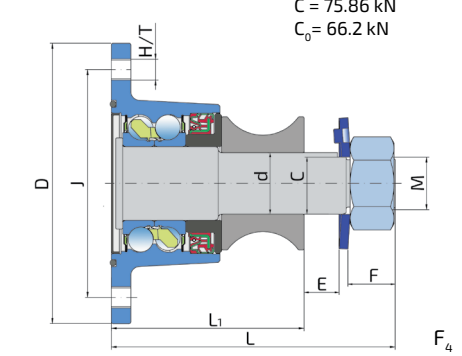
C = 75.86 kN
C₀ = 66.2 kN

Available hole patterns - H-hole, T-threaded hole
Vrsta otvora na priрубnici: H - bez navoja, T - sa navojem

Available with special locking washer
Dostupno sa specijalnom zaustavnom podloškom



C = 66.35 kN
C₀ = 56.49 kN



C = 75.86 kN
C₀ = 66.2 kN

Designation/Oznaka	J	D	H/T	d	C	M	G	L	L ₁	E	F	kg	Fig./Sl.
IL60-00-M20x1.5	-	160	blank	31	34.9	-	M20x1.5	78	63	-	40	4.20	1
IL60-115/6T-M20	115	135	6xM8	42	39.5	M39x1.5	-	167	48	15	26	4.21	3
IL60-120/4H-M20	120	160	4x11	34	31	-	M20	96	82	-	14	4.35	1
IL60-122/6H-M24	122	160	6x12	35	32.5	M24x2	-	106.5	63	16.5	27	4.20	2
IL60-127/4T-1 1/4"	127	160	4x1/2-13 UNC	36	33.5	M27x2	-	129.5	63	34.3	32.2	4.08	2
IL60-130/6T-M20x1.5	130	160	6xM12x1.25	34.9	31	-	M20x1.5	82	63	-	40	3.72	1
IL60-130/6T-M24	130	160	6xM12x1.25	30	28	M24x2	-	117.5	63	24.5	33.5	4.10	2
IL60-130/6T-M27	130	160	6xM12x1.25	36	33.5	M27x2	-	117.5	63	21	33.5	4.40	2
IL60-130/6T-M27x2-122.5	130	160	6xM12x1.25	36	33.5	M27x2	-	122.5	63	25	34.5	4.45	2
IL60-130/6T-M30-03	130	160	6xM12x1.25	40	37	M30x1.5	-	124	63	32	29	4.40	2
IL60-130/6T-M30-04	130	160	6xM12x1.25	35	32.5	M30x1.5	-	162	110	20	27.01	5.54	4
IL60-130/6T-M30-112-03	130	160	6xM12x1.25	40	37	M30x1.5	-	112	63	20	29	4.40	2
IL60-133/4H-3/4-16UNF	133.35	160	4x13.5	31	34.9	-	3/4"-16UNF	78	63	-	40	4.10	1
IL60-140/5T-M27	140	160	5xM12x1.25	36	33.5	M27x2	-	117.5	63	21	33.5	4.40	2
IL60-140/5H-M30	140	160	5x13	35	32.5	M30x1.5	-	110.5	63	19.5	26	4.30	2
IL60-140/5H-M30-44	140	160	5x13	35	32.5	M30x1.5	-	110.5	63	16	26.5	4.32	2
IL60-140/6T-M27	140	160	6xM12x1.25	36	33.5	M27x2	-	117.5	63	21	33.5	4.40	2
IL60-140/6T-M30	140	160	M12x1.5	35	32.5	M30x1.5	-	110.5	63	24.8	22.7	3.971	2
IL60-150/6T-M33-04	150	180	6xM12x1.25	40	37	M33x2	-	116.5	63	20	30	4.94	2

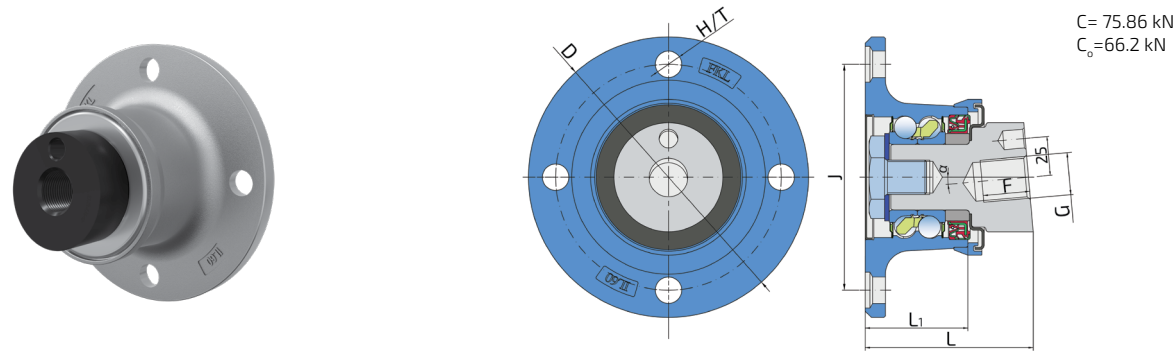
Typical Applications:
Potencijalno mesto ugradnje i primena:

Disc Harrows
Tanjirače

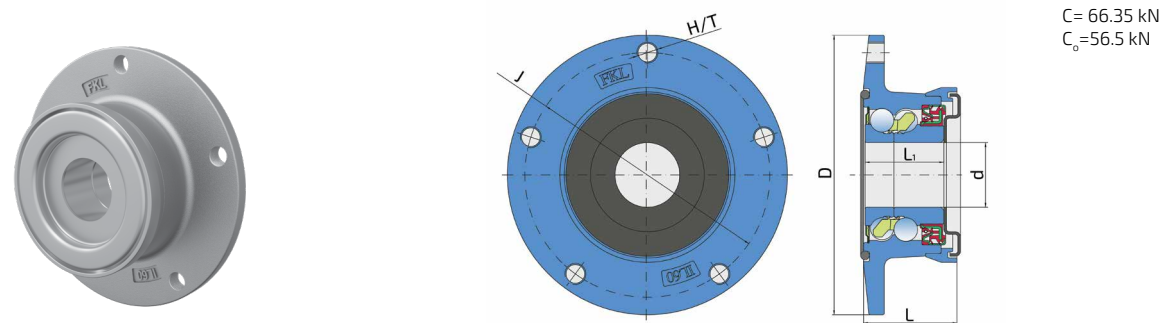
AGRO POINT HUB

AGRO POINT GLAVČINA

Adaptable IL60 for disc angle change
Prilagodljiva IL60 glavčina sa promenom ugla diska



Designation/Oznaka	J	D	H/T	G	L	L ₁	F	α	kg
IL60-145/4H-M27x2-RH-40	145	180	4x17	M27x2-7H-R	108	66	30	5°	5.48
IL60-145/4H-M27x2-LH-40	145	180	4x17	M27x2-7H-L	108	66	30	5°	5.48



Designation/Oznaka	J	D	d	H/T	L	L ₁	kg
IL60-140/5T-B37	140	160	37	5xM12x1.25	53.4	45	3.41

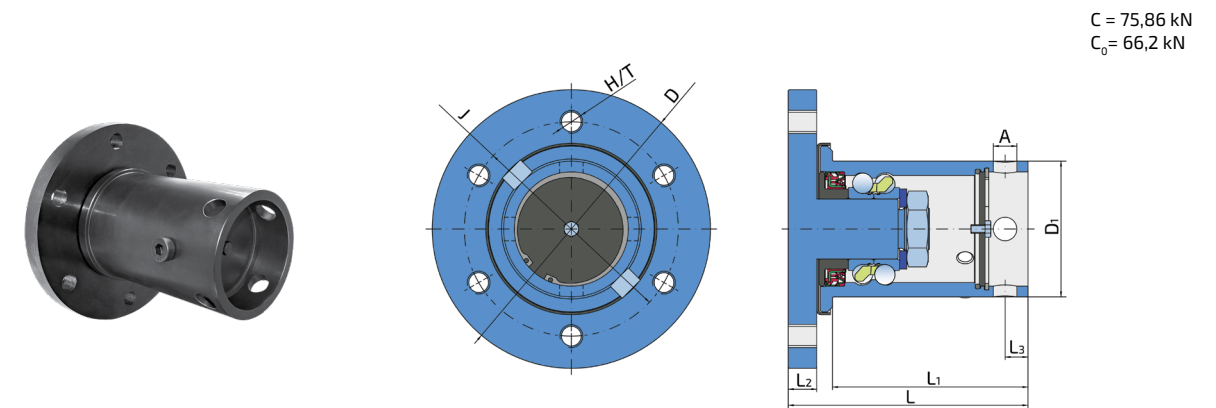
Typical Applications:
Potencijalno mesto ugradnje i primena:

Disc Harrows
Tanjirače

AGRO POINT HUB

AGRO POINT GLAVČINA

IL60C



Designation/Oznaka	J	D	D ₁	H/T	L	L ₁	L ₂	L ₃	A	kg
IL60C-150/6T-D95	150	195	95	6xM16	168	137	20	16	4x16.5	9.744

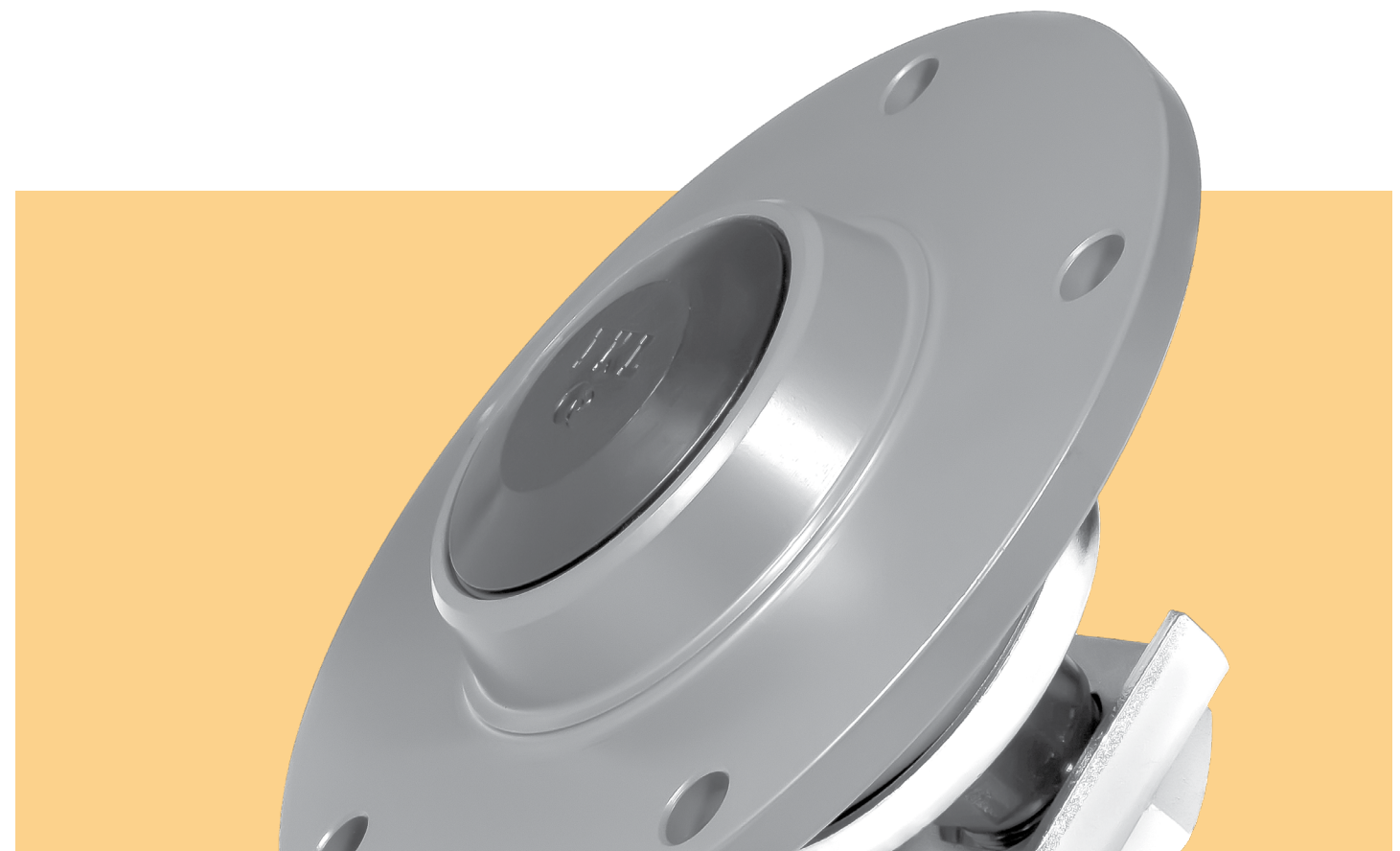
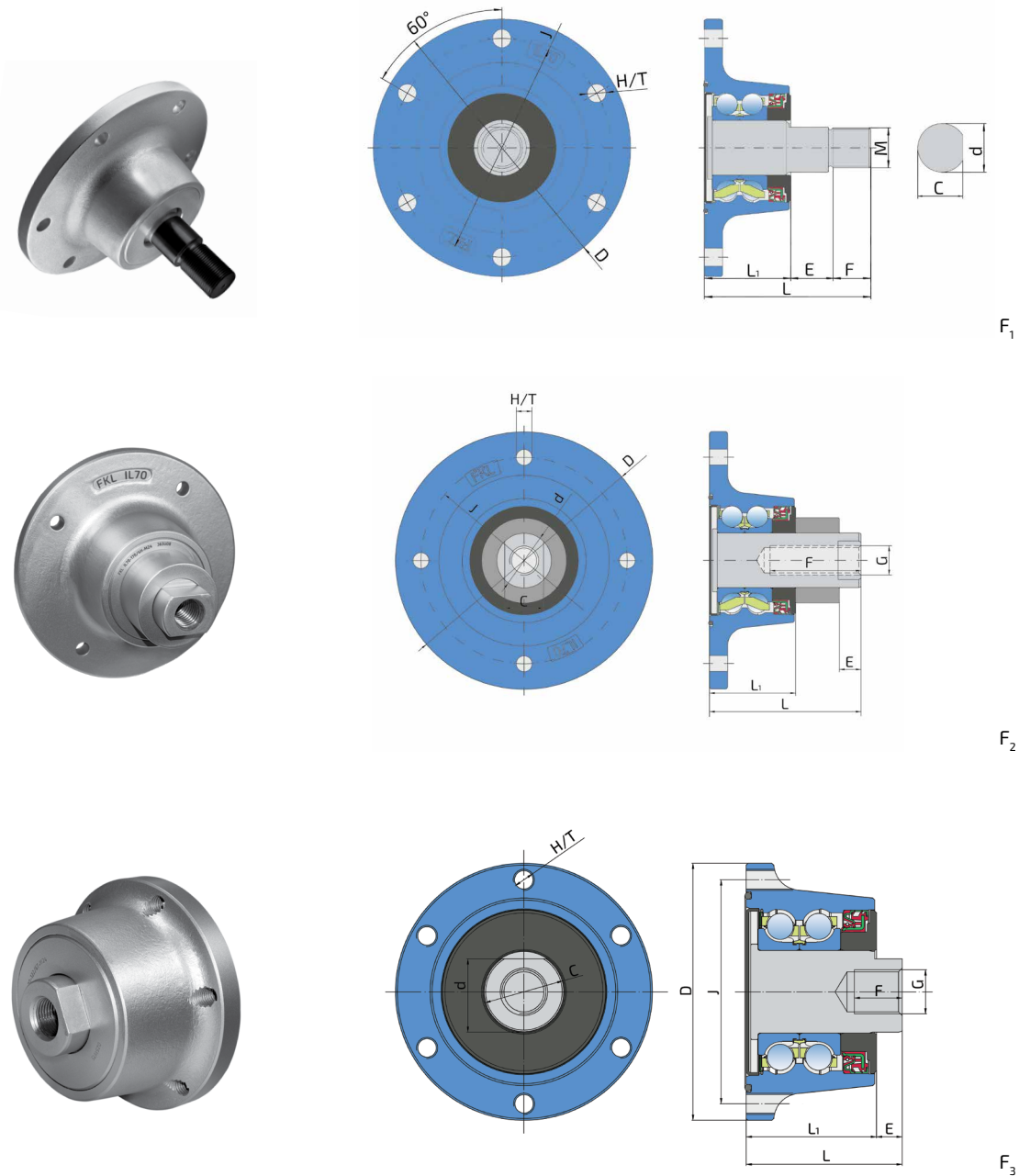
Typical Applications:
Potencijalno mesto ugradnje i primena:

Disc Harrows
Tanjirače

AGRO POINT HUB
AGRO POINT GLAVČINA

IL70

C= 94.45 kN
C₀=77.88 kN

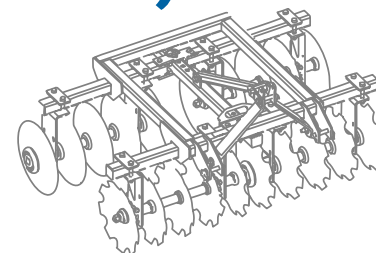


Designation/Oznaka	J	D	d	C	H/T	M	G	L	L ₁	E	F	kg	Fig./Sl.
IL70-122/6T-M24	122	140	44	40	6xM12	-	M24x2	85	71	14	26	4.80	3
IL70-170/4H-M24	170	212	45	32	4x13	-	M24	125	71	18	75	8.13	2
IL70-170/6H-M33x2	170	212	40	37	6x18	M30x2	-	125	71	19	35	7.55	1
IL70-180/6H-M33x2	180	212	40	37	6x15	M30x2	-	137	71	31	32	7.96	1

Typical Applications:
Potencijalno mesto ugradnje i primena:

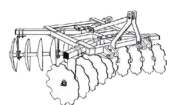
Disc Harrows
Tanjirače

Disc Harrow Solutions
Ležajevi i ležajne jedinice tanjirače

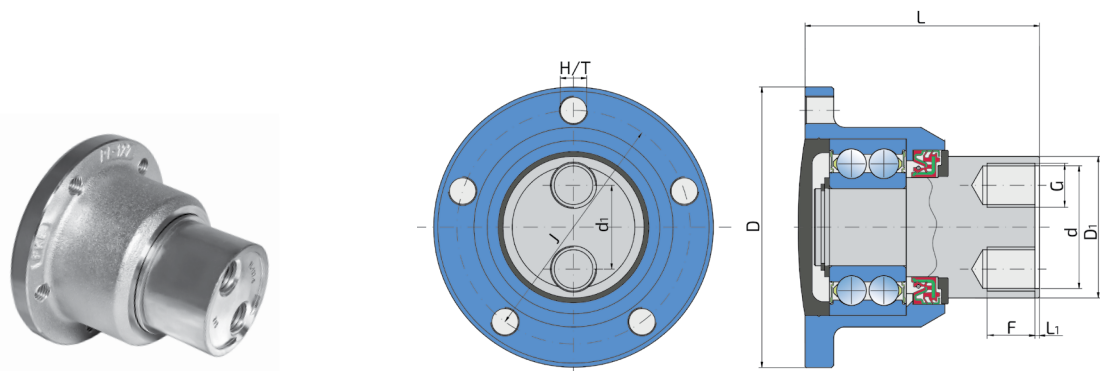


Bearing Unit

Ležajna jedinica



PL-127-G



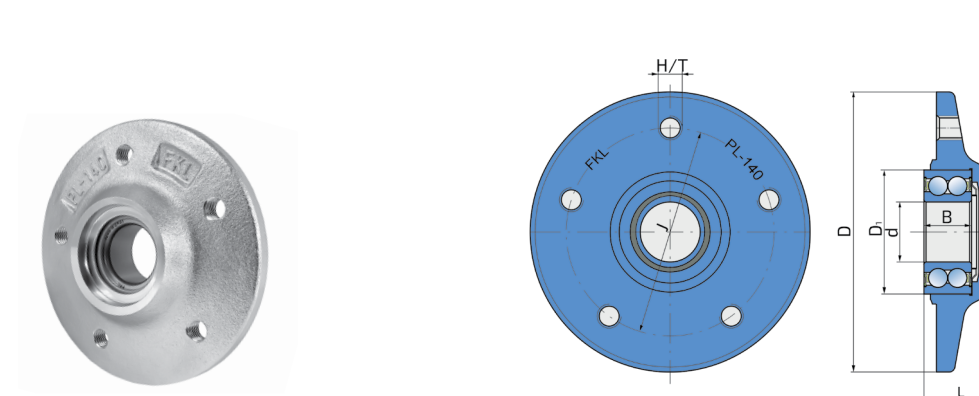
Designation/Oznaka	J	D	D ₁	d	d ₁	H/T	G	L	L ₁	F	kg
PL-127-G	106	127.3	64.2	55.7	38	M12	2xM20	106.5	2	25	3.81

Bearing Unit

Ležajna jedinica



PL-140



Designation/Oznaka	J	D	D ₁	d	H/T	L	B	kg
PL-140	104	140	62	30	M12	35	23.8	1.5

Typical Applications:
Potencijalno mesto ugradnje i primena:

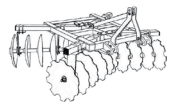
Disc Harrows
Tanjirače

Disc Harrows
Tanjirače

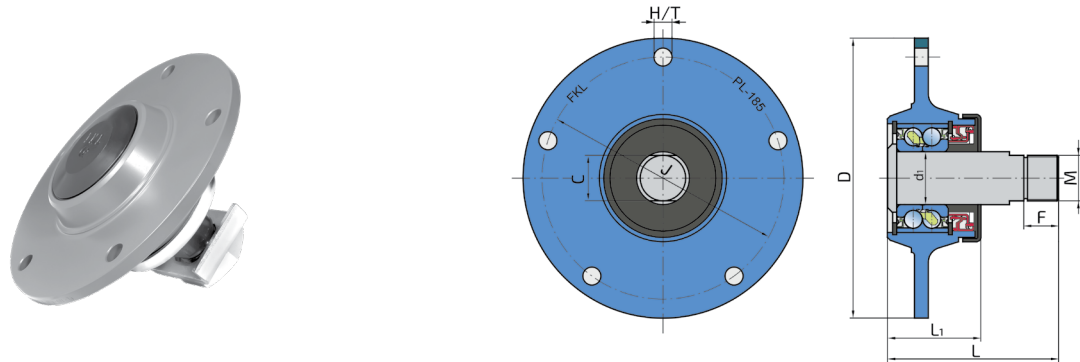
Typical Applications:
Potencijalno mesto ugradnje i primena:

Bearing Unit

Ležajna jedinica



PL-185-M30-R (L)



Designation/Oznaka	D	d ₁	C	J	H/T	L	L ₁	F	M	kg
PL-185-M30-R	185	35	30	160	12	113	61.6	23	M30x1.5-RH	3.92
PL-185-M30-L	185	35	30	160	12	113	61.6	23	M30x1.5-LH	3.92

Part/Deo	FKL designation/FKL oznaka
Nut/Navrtka	M 30x1,5 DIN 439 ZN6.PS.CB M 30x1,5-LH DIN 439 ZN6.PS.CB
Cap/Poklopac	PL-185/4
Washer/Podloška	PL-185/9
Dirtblock seal/Zaptivka	ST16 45-70-14/17

Typical Applications:
Potencijalno mesto ugradnje i primena:

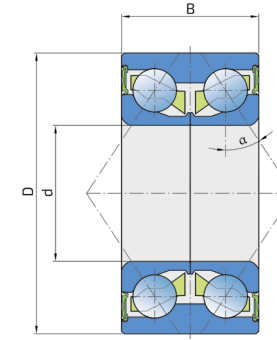
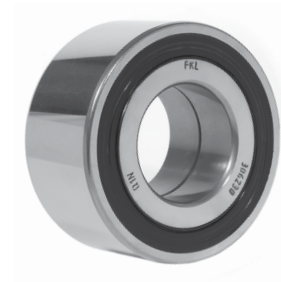
Disc Harrows
Tanjirače

Double Row Angular Contact Ball Bearings

Dvoredni kuglični ležajevi sa kosim dodirom

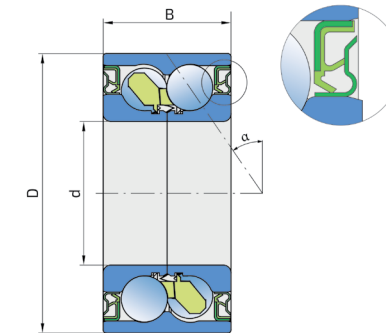
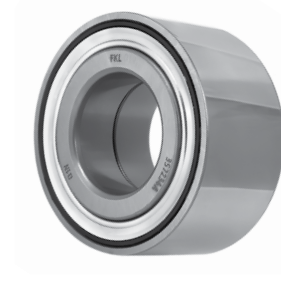


306230



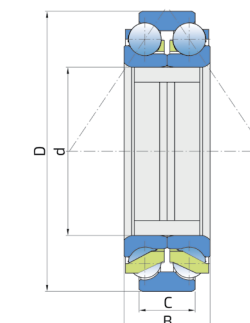
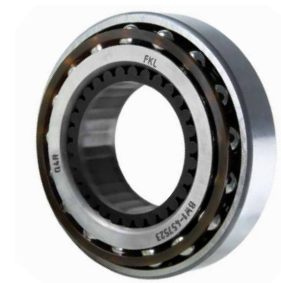
Designation/Oznaka	d	D	B	C	α	kg
306230	30	62	30	-	34°	0.390
BW1-306037	30	60.030	37	-	34°	0.47

357234A



Designation/Oznaka	d	D	B	C	α	kg
357234A	35	72	34	-	40°	0.539
BW1 - 357233	35	72.043	33	-	40°	0.553

BW1-457523

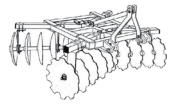


Designation/Oznaka	d	D	B	C	α	kg
BW1 - 457523	45	75	23	15	34°	0.345

Typical Applications:
Potencijalno mesto ugradnje i primena:

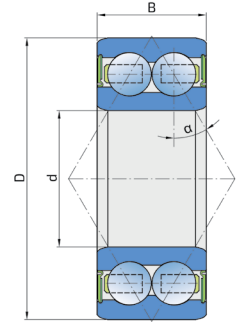
Disc Harrows
Tanjirače

Double Row Angular Contact Ball Bearings Dvoredni kuglični ležajevi sa kosim dodirom



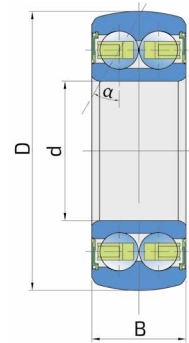
Disc Harrow Solutions
Ležajevi i lež. jed. tanjirače

3206 B.2RS1



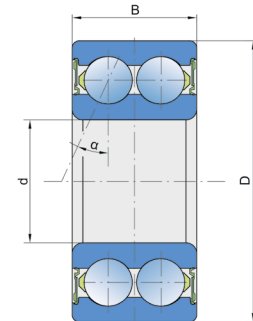
Designation/Oznaka	d	D	B	α	kg
3206 B.2RS1	30	62	23.8	30°	0.285

3209 NPPB.AH02



Designation/Oznaka	d	D	B	α	kg
3209 NPPB.AH02	45	90	30.2	30°	0.63

3307 B.2RS1

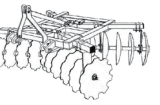


Designation/Oznaka	d	D	B	α	kg
3307 B.2RS1	35	80	34.9	25°	0.7

Typical Applications:
Potencijalno mesto ugradnje i primena:

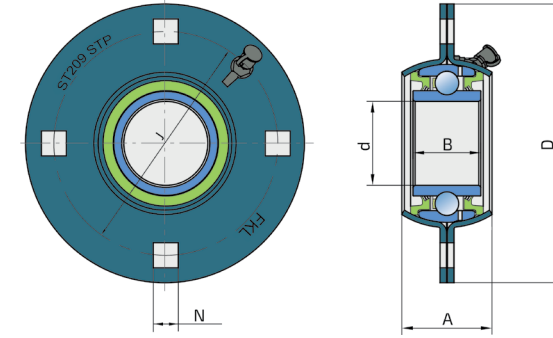
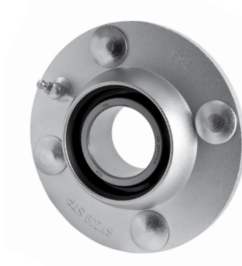
Disc Harrows
Tanjirače

Bearing Units with Pressed Steel Housing Ležajne jedinice sa limenim kućištem



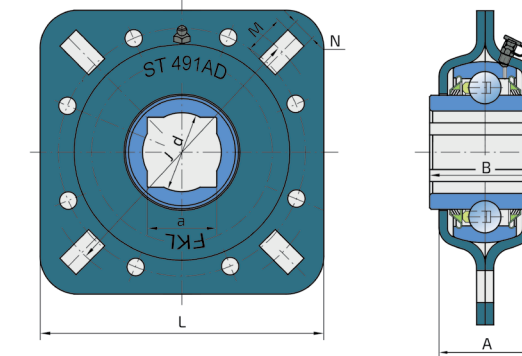
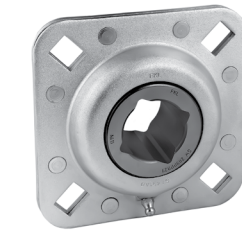
Disc Harrow Solutions
Ležajevi i lež. jed. tanjirače

GWST 209PPB13



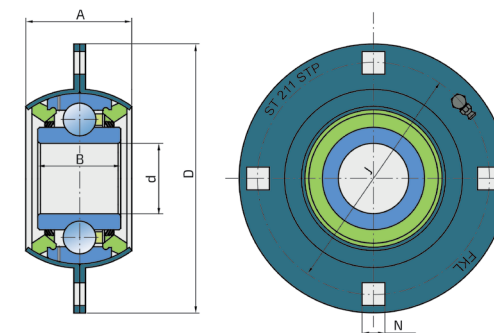
Designation/Oznaka	a	d	D	J	A	B	N	kg
GWST 209PPB13	-	45.24	150	120.5	48.5	36.53	13.5	1.836

GWST 209PPB29



Designation/Oznaka	a	d	J	L	A	B	M	N	kg
GWST 209PPB29	32.8	35.5	127	127	39	42.85	17.5	13.5	1.63

GWST 211PPB20



Designation/Oznaka	d	D	J	A	B	N	kg
GWST 211PPB20	55.7	167	138	56.5	39.7	13.5	2.706

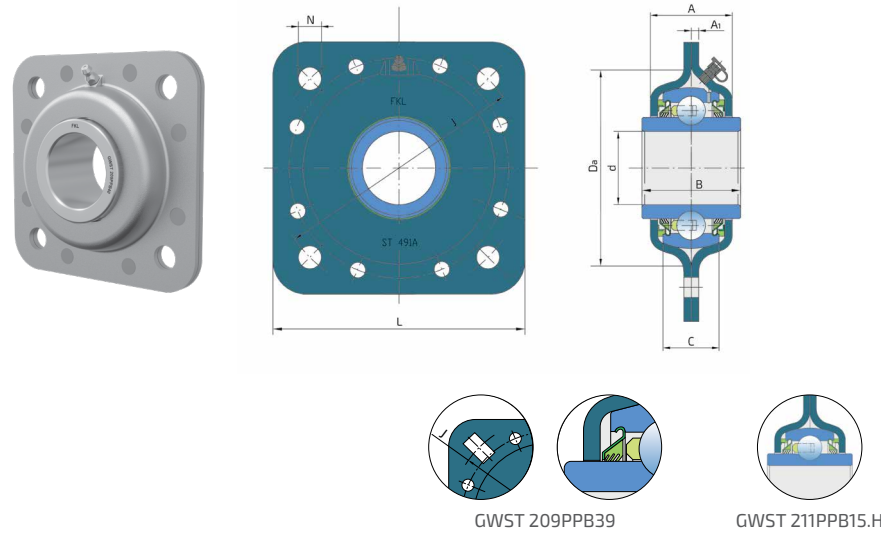
Typical Applications:
Potencijalno mesto ugradnje i primena:

Disc Harrows
Tanjirače

Bearing Units with Pressed Steel Housing

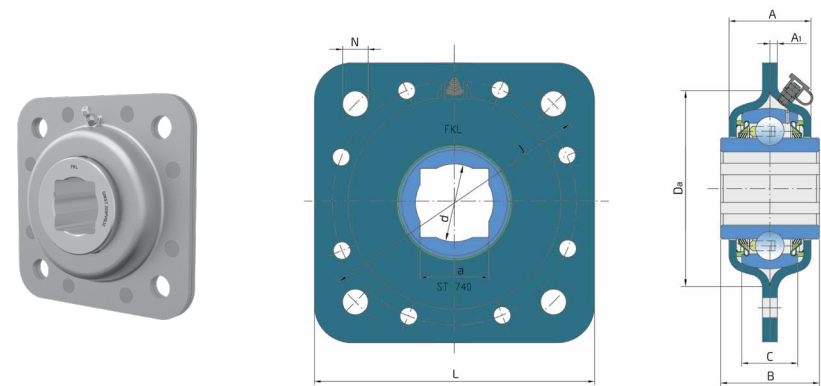
Ležajne jedinice sa limenim kućištem

GWST 209PPB12 *ZN
 GWST 209PPB39
 GWST 209PPB40
 GWST 211PPB15
 GWST 211PPB15.H



Designation/Oznaka	d	B	A	A ₁	C	D _a	L	J	N	kg
GWST 209PPB12 *ZN	44.83	42.85	39	3.5	22	97	127	127	13.5	1.51
GWST 209PPB39	38.7	42.85	39	3.5	22	97	127	127	13.5	1.63
GWST 209PPB40	40	42.85	39	3.5	22	97	127	127	13.5	1.62
GWST 211PPB15	55.58	55.55	44.7	4	31.8	113	140	140	13.5	2.05
GWST 211PPB15.H	55.58	55.55	44.7	4	31.8	113	140	140	13.5	2.05

GWST 209PPB32
 GWST 211PPB40
 GWST 211PPB40.X2



Designation/Oznaka	a	d	B	A	A ₁	C	D _a	L	J	N	kg
GWST 209PPB32	30	32	45	39	3.5	22	97	127	127	13.5	1.77
GWST 211PPB40	40.5	45.5	45	44.7	4	31.8	113	140	140	13.5	2.25
GWST 211PPB40.X2	35	38	55.5	44.7	4	31.8	113	140	140	13.5	2.65

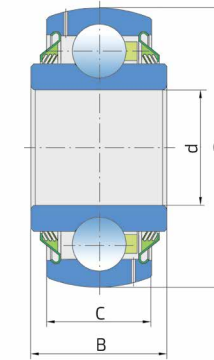
Typical Applications:
 Potencijalno mesto ugradnje i primena:

Disc Harrows
 Tanjirače

Ball Bearings

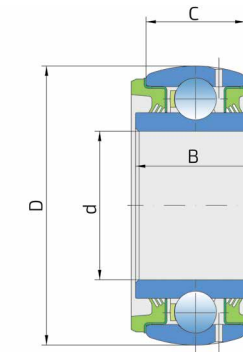
Kuglični ležajevi

GW 209PPB12



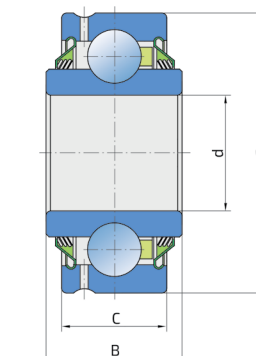
Designation/Oznaka	d	D	B	C	kg
GW 209PPB12	44.831	85	42.85	22	0.68

GW 209PPB30



Designation/Oznaka	d	D	B	C	kg
GW 209PPB30	44.958	88.7	42.86	31.75	0.92

GW 211PP202

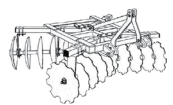


Designation/Oznaka	d	D	B	C	kg
GW 211PP202	51.308	100	60.3	33.34	1.11

Typical Applications:
 Potencijalno mesto ugradnje i primena:

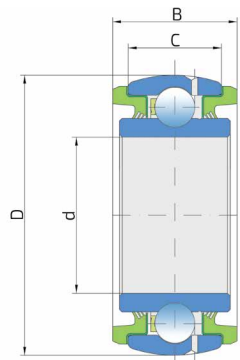
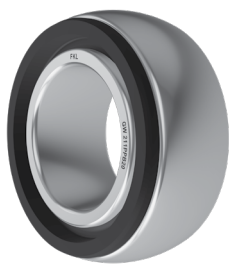
Disc Harrows
 Tanjirače

Ball Bearings
Kuglični ležajevi



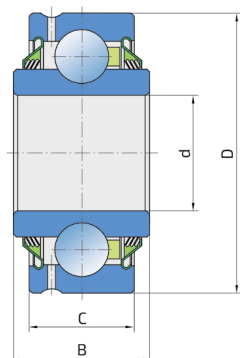
Disc Harrow Solutions
Ležajevi i lež. jed. tanjirače

GW 211PPB20



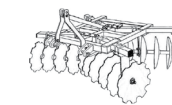
Designation/Oznaka	d	D	B	C	kg
GW 211PPB20	55.7	100	44.6	33.4	1.003

GW 211PP25



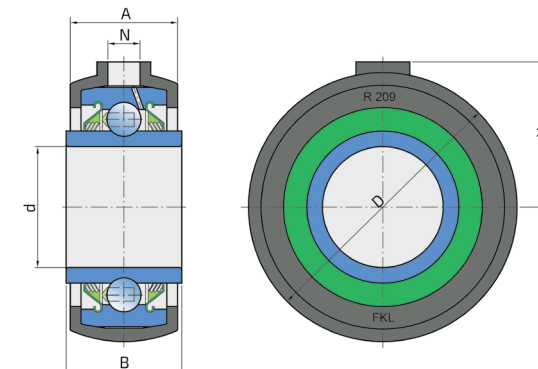
Designation/Oznaka	d	D	B	C	kg
GW 211PP25	45.212	100	44.5	33.34	1.11

Rubberized Bearing Units
Gumirane ležajne jedinice



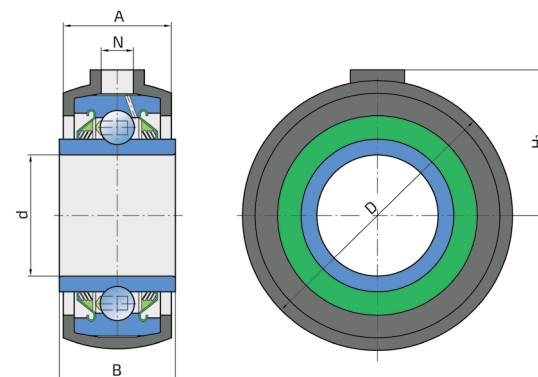
Disc Harrow Solutions
Ležajevi i lež. jed. tanjirače

GWR 209PPB30



Designation/Oznaka	d	D	A	B	H ₁	N	kg
GWR 209PPB30	44.958	101	40	42.86	54	12.7	0.92

GWR 211PPB21



Designation/Oznaka	d	D	A	B	H ₁	N	kg
GWR 211PPB21	45.212	113	44.7	53.975	60.5	12.7	1.620

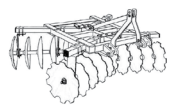
Typical Applications:
Potencijalno mesto ugradnje i primena:

Disc Harrows
Tanjirače

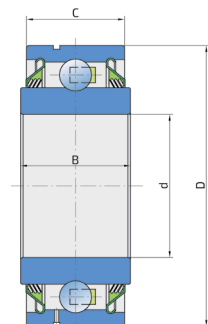
Disc Harrows
Tanjirače

Typical Applications:
Potencijalno mesto ugradnje i primena:

Ball Bearing Kuglični ležaj

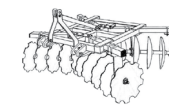


SBX 1227

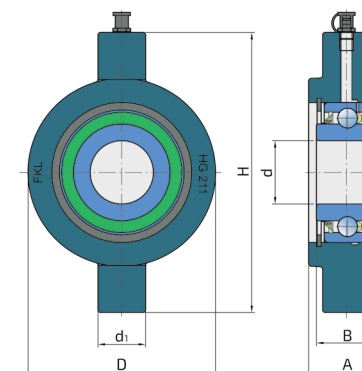


Designation/Oznaka	d	D	B	C	kg
SBX 1227	55.562	110	55.562	38.3	1.8

Trunnion Bearing Units Podesive ležajne jedinice

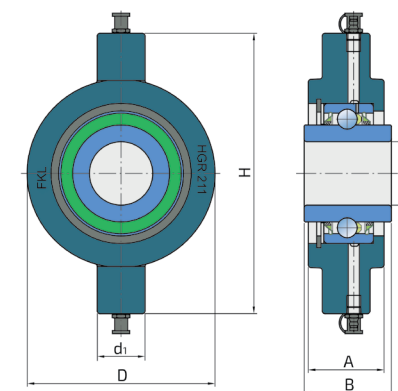


GWHG 211PP25



Designation/Oznaka	d	d ₁	D	A	B	H	kg
GWHG 211PP25	45.212	34	134	54	44.5	200	4.88

GWHGR 211PP202



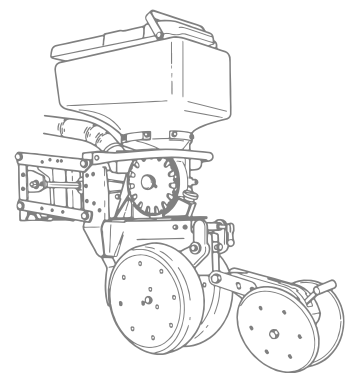
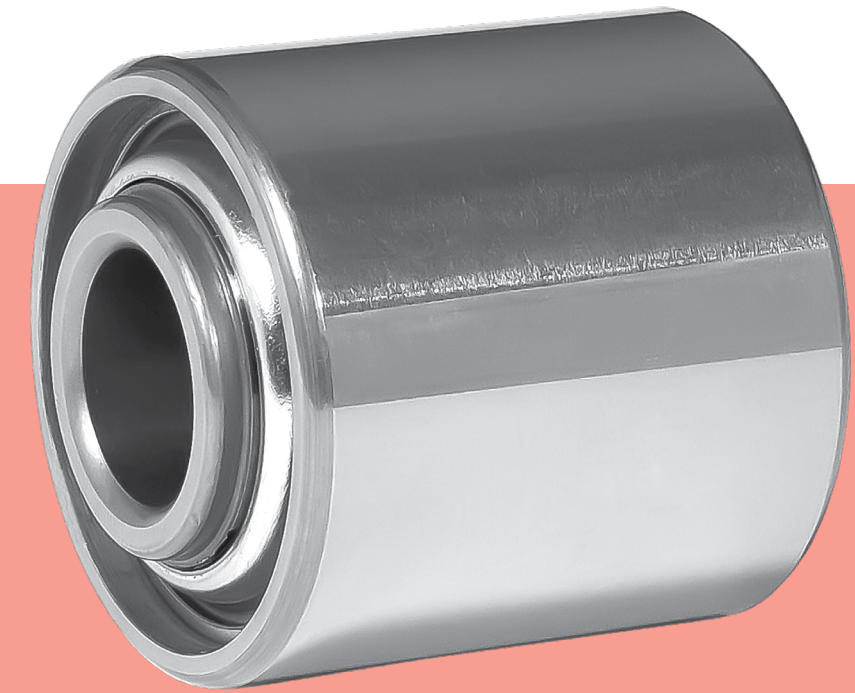
Designation/Oznaka	d	d ₁	D	A	B	H	kg
GWHGR 211PP202	51.308	37	129.5	57	60.3	202.5	4.8

Typical Applications:
Potencijalno mesto ugradnje i primena:

Disc Harrows
Tanjirače

Disc Harrows
Tanjirače

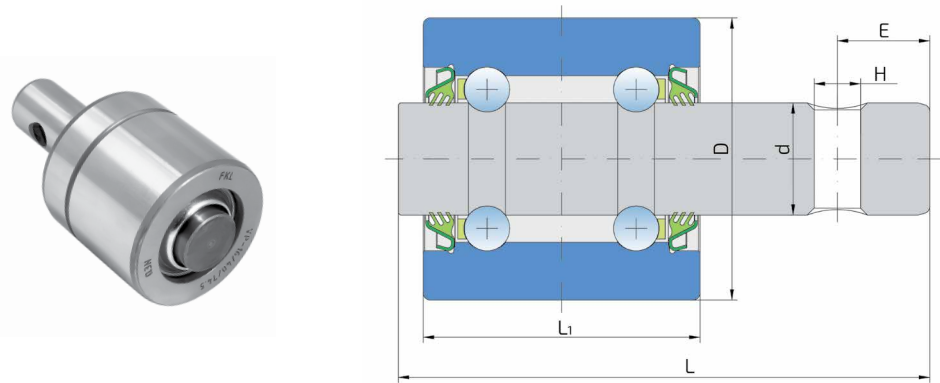
Typical Applications:
Potencijalno mesto ugradnje i primena:



Seeding Machine Solutions
Ležajevi i ležajne jedinice sejačice

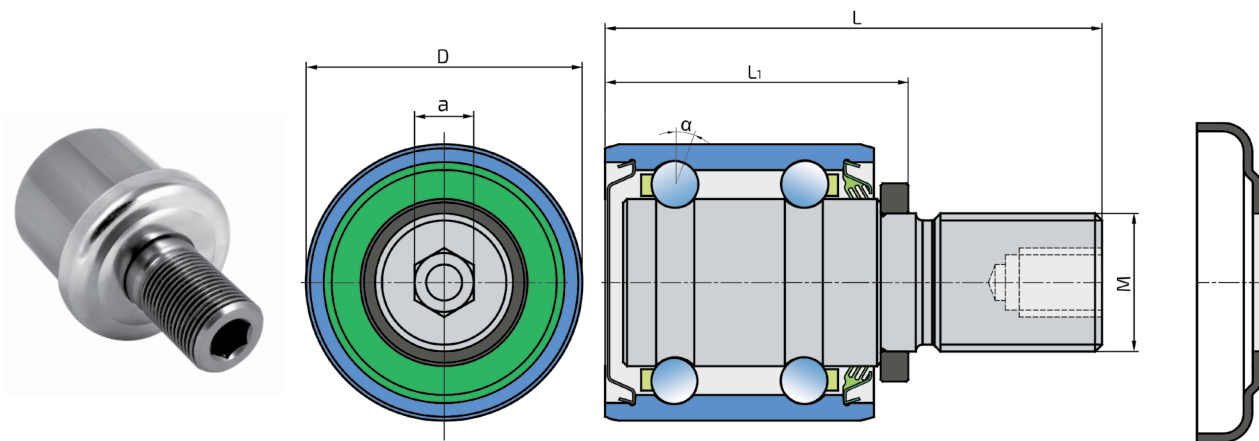
Double Row Ball Bearings with Shaft Dvoredni kuglični ležajevi sa osovnicom

VP-16/40/74.5



Designation/Oznaka	d	D	L	L ₁	H	E	α	kg
VP-16/40/74.5	15.918	40	74.5	38.9	6.5	12.95	20°	0.44

VP-M20x1.5/40/72-R (L)



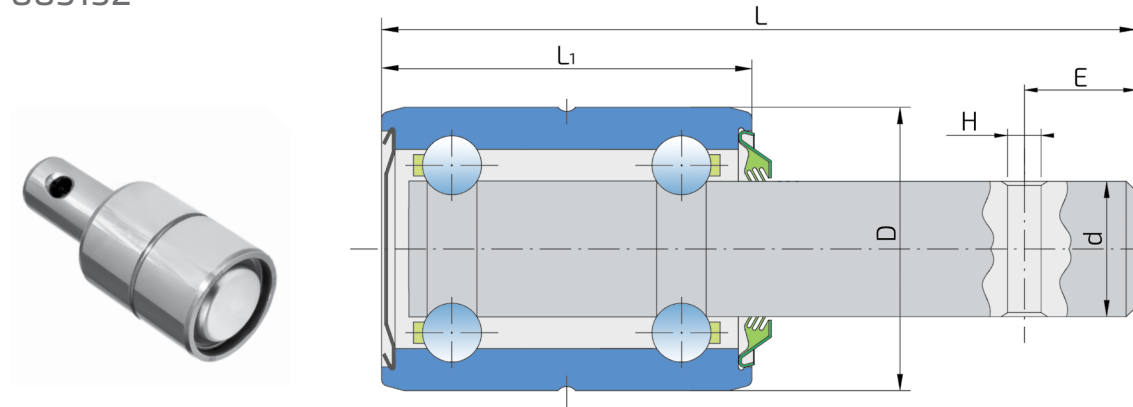
Designation/Oznaka	a	d	D	L	L ₁	M	α	kg
VP-M20x1.5/40/72-R(L)	10	24.2	40	72	44	M20x1.5	20°	0.44

Typical Applications:
Potencijalno mesto ugradnje i primena:

Seeding Machines
Sejačice

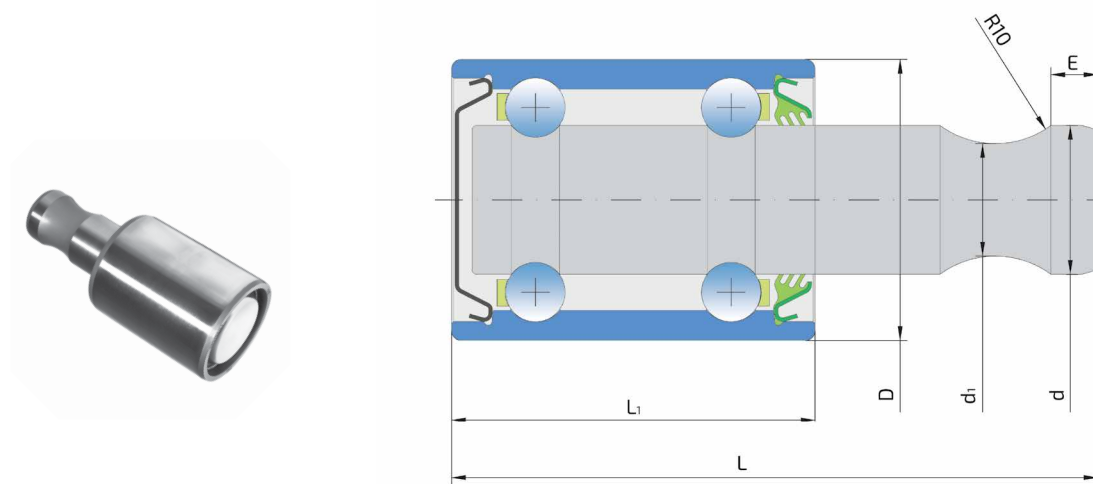
Double Row Ball Bearings with Shaft Dvoredni kuglični ležajevi sa osovnicom

885152



Designation/Oznaka	d	D	L	L ₁	H	E	kg
885152	15.918	30	69.3	38.9	6.5	11.2	0.178

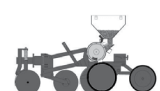
885154B.1



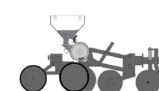
Designation/Oznaka	d	d ₁	D	L	L ₁	E	R	kg
885154B.1	15.88	12	30	69	38.8	5	10	0.183

Typical Applications:
Potencijalno mesto ugradnje i primena:

Seeding Machines
Sejačice



Seeding Machine Solutions
Ležajevi i ležajne jed. sejačice



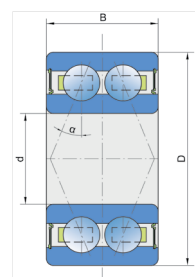
Seeding Machine Solutions
Ležajevi i ležajne jed. sejačice

Double Row Angular Contact Ball Bearings

Dvoredni kuglični ležajevi sa kosim dodirom

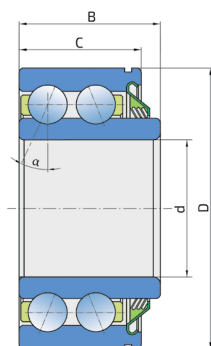


3204 B.2RS1



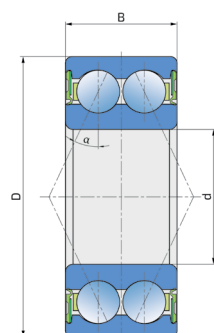
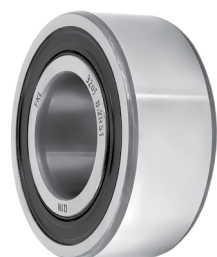
Designation/Oznaka	d	D	B	C	α	kg
3204 B.2RS1	20	47	20.6	-	25°	0.16

3204 T



Designation/Oznaka	d	D	B	C	α	kg
3204 T	20	47	25.2	22	25°	0.185

3205 B.2RS1



Designation/Oznaka	d	D	B	C	α	kg
3205 B.2RS1	25	52	20.6	-	25°	0.18

Typical Applications:
Potencijalno mesto ugradnje i primena:

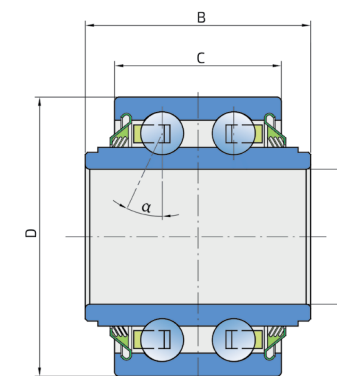
Seeding Machines
Sejačice

Double Row Angular Contact Ball Bearings

Dvoredni kuglični ležajevi sa kosim dodirom

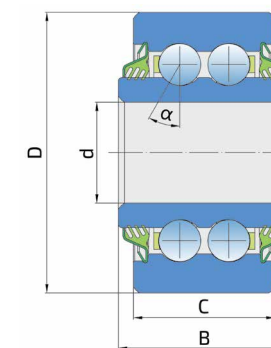


5206 KPP3



Designation/Oznaka	d	D	B	C	α	kg
5206 KPP3	30.150	62	50	37	25°	0.50

XS 5203.B-2T



Designation/Oznaka	d	D	B	C	α	kg
XS 5203.B-2T	16.26	45.23	27.66	22.8	30°	0.18

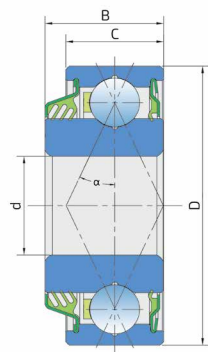
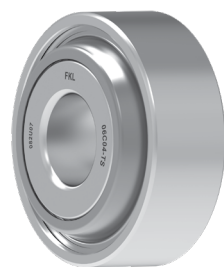
Typical Applications:
Potencijalno mesto ugradnje i primena:

Seeding Machines
Sejačice

Four point Contact Ball Bearing

Kuglični ležaj sa dodirom u četiri tačke

06C04-TS



Designation/Oznaka	d	D	B	C	α	kg
06C04-TS	16	45.2	18.67	15.4	25°	0.23

Seeding Machine Solutions
Ležajevi i ležajne jed. sejačice

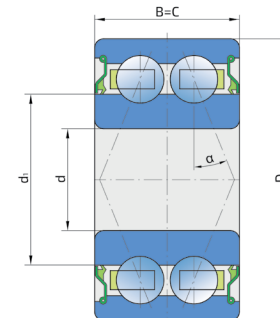
Typical Applications:
Potencijalno mesto ugradnje i primena:

Seeding Machines
Sejačice

Double Row Angular Contact Ball Bearings

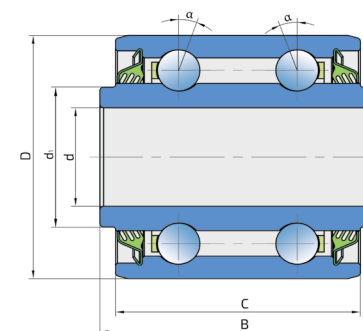
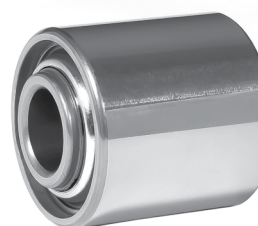
Dvoredni kuglični ležajevi sa kosim dodirom

SL 3303



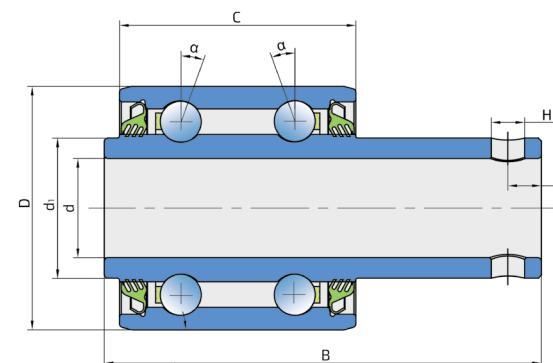
Designation/Oznaka	d	d ₁	D	B	C	H	E	α	kg
SL 3303 2S	17	28.5	47	24.2	24.2	-	-	25°	0.200
SL 3303-2S-20	20	28.2	47	24.2	24.2	-	-	25°	0.184

SL 5203.B



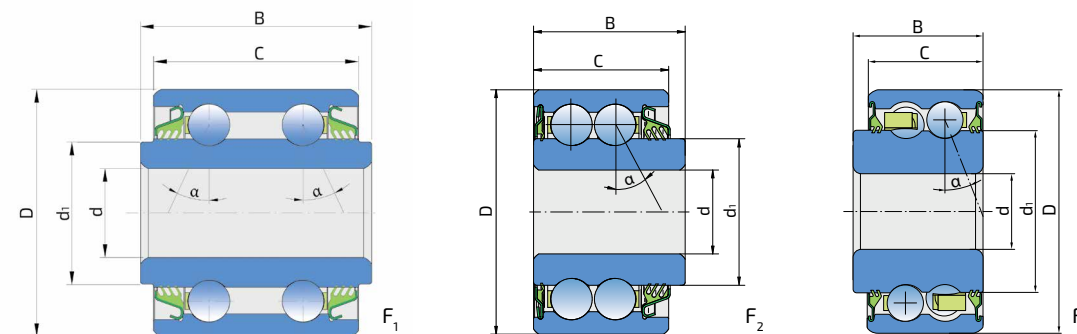
Designation/Oznaka	d	d ₁	D	B	C	H	E	α	kg
SL 5203.B-2T	16.256	23.5	40	44.12	39.12	-	-	30°	0.218
SL 5203.B-2T-A	16.256	23	40	43.88	38.93	-	-	20°	0.218
SL 5203/17.B-2T	16.8	23	40	44.12	39.12	-	-	30°	0.218

SL2 5203.B



Designation/Oznaka	d	d ₁	D	B	C	H	E	α	kg
SL2 5203.B-2T	16.3	23	40	72	39.12	6	5.5	30°	0.267

SL 5204
SL 5205 2D



Designation/Oznaka	d	d ₁	D	B	C	H	E	α	kg	Fig./Sl.
SL 5204/16.25-2T	16.25	27	47	44	39	-	-	25°	0.326	1
SL 5204/20-2T	20	27	47	44	39	-	-	25°	0.29	1
SL 5204-ST	16.129	28.2	47	29.175	26	-	-	25°	0.227	2
SL 5205 2D	16.027	34.35	52	27.711	24.562	-	-	25°	0.288	3

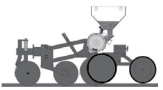
Typical Applications:
Potencijalno mesto ugradnje i primena:

Seeding Machines
Sejačice

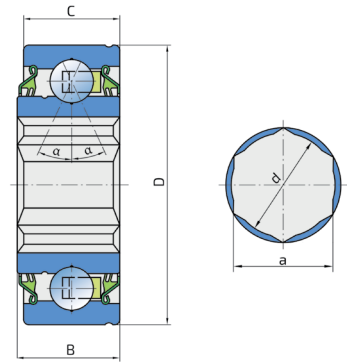
Seeding Machine Solutions
Ležajevi i ležajne jed. sejačice

Four Point Contact Ball Bearings

Kuglični ležajevi sa dodirom u četiri tačke

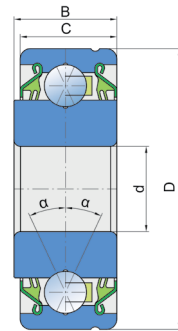


SL 53-014-2T



Designation/Oznaka	a	d	D	B	C	α	kg
SL 53-014-2T	22.25	22.80	53.086	19.40	18.288	25°	0.174

SL 5316 2T



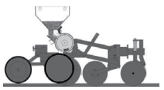
Designation/Oznaka	a	d	D	B	C	α	kg
SL 5316 2T	-	16	53.086	19.4	18.288	25°	0.28

Typical Applications:
Potencijalno mesto ugradnje i primena:

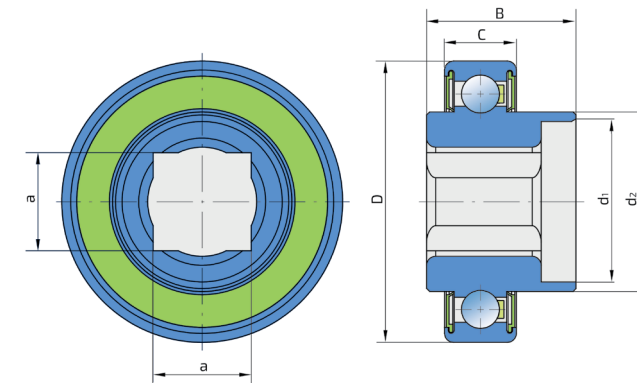
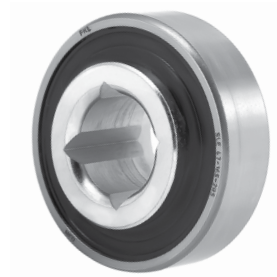
Seeding Machines
Sejačice

Four Point Contact Ball Bearings

Kuglični ležajevi sa dodirom u četiri tačke

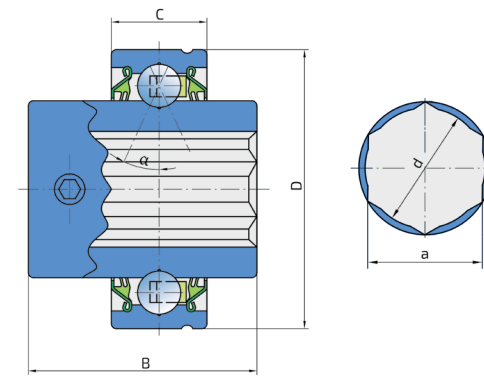


SLE 47-16S-2RS



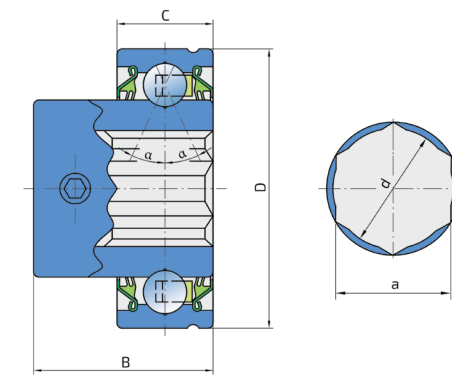
Designation/Oznaka	a	d	d ₁	d ₂	D	B	C	α	kg
SLE 47-16S-2RS	16.4	-	26.8	30	47	25	12	-	0.11

SLE 53-012-2T



Designation/Oznaka	a	d	d ₁	d ₂	D	B	C	α	kg
SLE 53-012-2T	19.18	19.6	-	-	53.086	43.5	18.288	25°	0.299

SLU 53-012-2T



Designation/Oznaka	a	d	d ₁	d ₂	D	B	C	α	kg
SLU 53-012-2T	19.18	19.6	-	-	53.086	34.2	18.288	25°	0.257

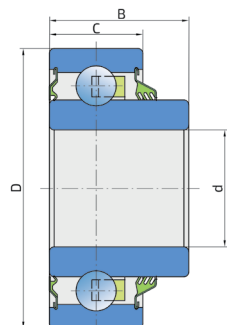
Typical Applications:
Potencijalno mesto ugradnje i primena:

Seeding Machines
Sejačice

Ball Bearing

Kuglični ležaj

205KRP2



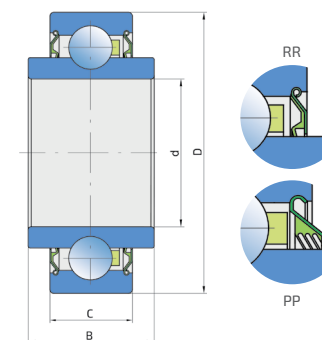
Designation/Oznaka	d	D	B	C	kg
205KRP2	19.202	52	21.1	15	0.28

Seeding Machine Solutions
Ležajevi i ležajne jed. sejačice

Ball Bearings

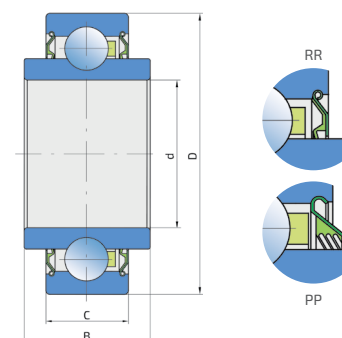
Kuglični ležajevi

203KRR.AH02
203KPP.AH02



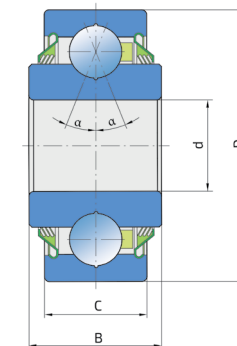
Designation/Oznaka	d	D	B	C	kg
203KRR.AH02/203KPP.AH02	16.26	40	18.29	12	0.07

203KRR.AH05
203KPP.AH05



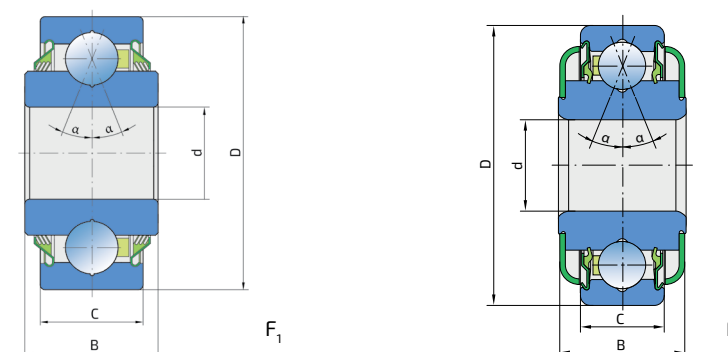
Designation/Oznaka	d	D	B	C	kg
203KRR.AH05/203KPP.AH05	13	40	18.29	12	0.09

Q 203PP.AH02



Designation/Oznaka	d	D	B	C	α	kg
Q 203PP.AH02	16.256	40	18.29	12	25°	0.08

Q 203PP.AH05
Q 203PP-CC.AH05



Designation/Oznaka	d	D	B	C	α	kg	Fig./Sl.
Q 203PP.AH05	13.081	40	18.29	12	25°	0.091	1
Q 203PP-CC.AH05	13	40	18.3	12	25°	0.092	2

Typical Applications:
Potencijalno mesto ugradnje i primena:

Seeding Machines
Sejačice

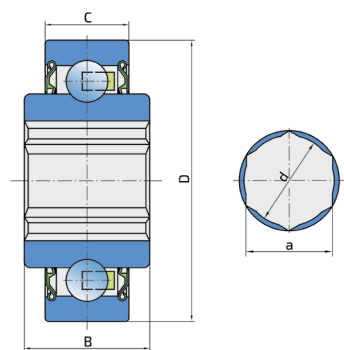
Seeding Machines/Sejačice
Sprockets/Lančanic

Typical Applications:
Potencijalno mesto ugradnje i primena:

Ball Bearings

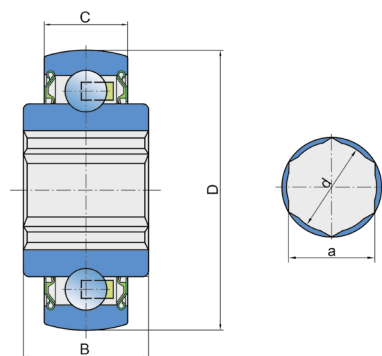
Kuglični ležajevi

204KRR2



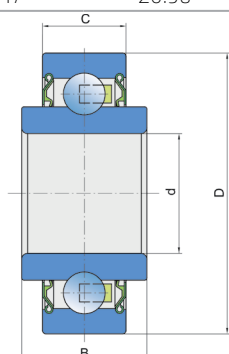
Designation/Oznaka	a	d	D	B	C	kg
204KRR2	17.65	18.2	47	20.96	14	0.145

204KRRB2



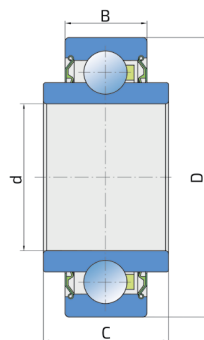
Designation/Oznaka	a	d	D	B	C	kg
204KRRB2	17.65	18.2	47	20.96	14	0.145

204KRR



Designation/Oznaka	a	d	D	B	C	kg
204KRR	-	20	47	17.7	14	0.12

203KRR



Designation/Oznaka	a	d	D	B	C	kg
203KRR	-	17	40	12	18.3	0.09

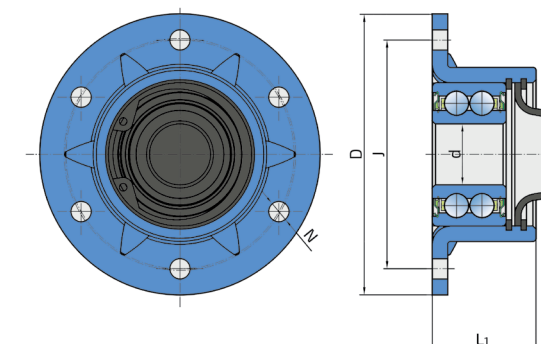
Typical Applications:
Potencijalno mesto ugradnje i primena:

Seeding Machines
Sejačice

Bearing Units (Double row angular contact ball bearings in pressed steel housing)

Ležajne jedinice (Dvoredni kuglični ležajevi sa kosim dodirom u limenom kućištu)

PL-7517
PL-7420
PL-7520

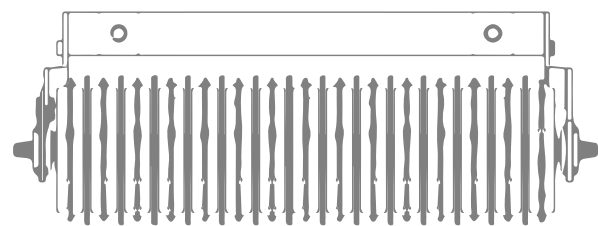


Designation/Oznaka	d	D	J	N	L ₁	kg
PL-7517	17	92	75	6.7H12	34	0.51
PL-7520	20	92	75	6.7H12	34	0.5
PL-7517-SM	17	92	75	6.7H12	34	0.54
PL-7420-SM	20	92	74	9	34	0.52
PL-7520-SM	20	92	75	6.7H12	34	0.53

Typical Applications:
Potencijalno mesto ugradnje i primena:

Seeding Machines
Sejačice



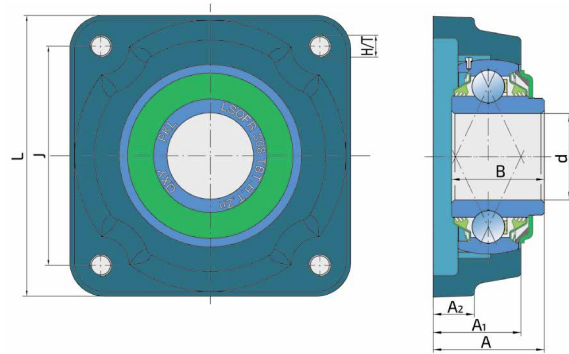


Packer Roller Solutions
Ležajevi i ležajne jedinice valjka

Bearing Units

Ležajne jedinice

LSQFR 308 TDT.H.T
 LSQFR 308 2TD.H.T
 LSQFR 308-13.5 TDT.H.T
 LSQFR 309 2TB.H.T
 LSQFR 309-16-2TB.H.T



Designation/Oznaka	d	L	J	H/T	A	A ₁	A ₂	B	kg
LSQFR 308 TDT.H.T	40	130	101.5	M12	51.4	40.6	19	42.9	2.5
LSQFR 308 2TD.H.T	40	130	101.5	M13	46.4	40.6	19	45.8	2.5
LSQFR 308-13.5 TDT.H.T	40	130	101.5	13.5	51.4	40.6	19	42.9	2.5
LSQFR 309 2TB.H.T	45	137	105	14	53	44	18	50.45	3.4
LSQFR 309-16-2TB.H.T	45	137	105	16	54	44	22	51.1	3.4

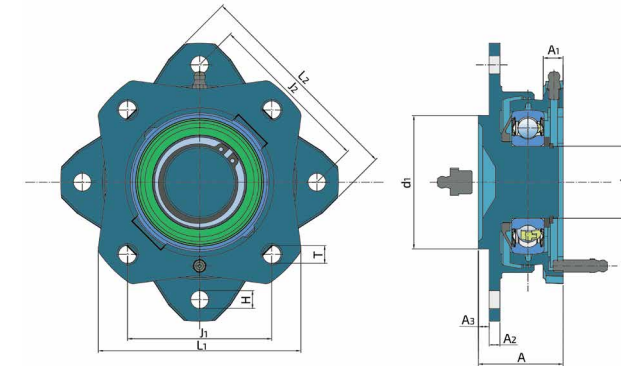
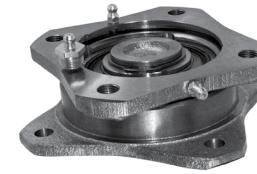
Typical Applications:
 Potencijalno mesto ugradnje i primena:

Packer Rollers
 Kembridž valjci

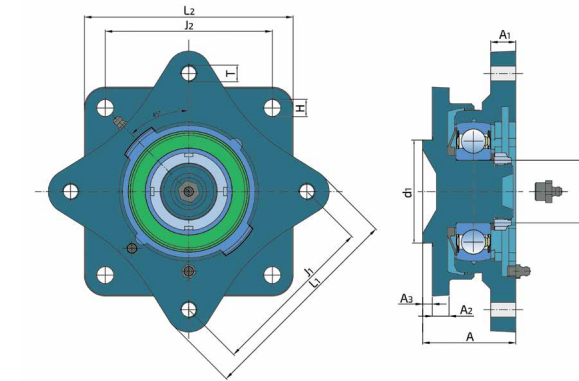
Bearing Units

Ležajne jedinice

ZGKU 208 2S
 ZGKU 309 2S



F₁



F₂

Designation/Oznaka	d	d ₁	L ₁	L ₂	J ₁	J ₂	H	T	A	A ₁	A ₂	A ₃	kg	Fig./Sl.
ZGKU 208 2S	40	74	112.4	120.4	80	92	4x10	4xM12x1.25	47	11	6	6	2.1	1
ZGKU 309 2S	45	74	152	150	120	120	4x12.3	4xM12x1.25	66.9	18	12	7	5.6	2

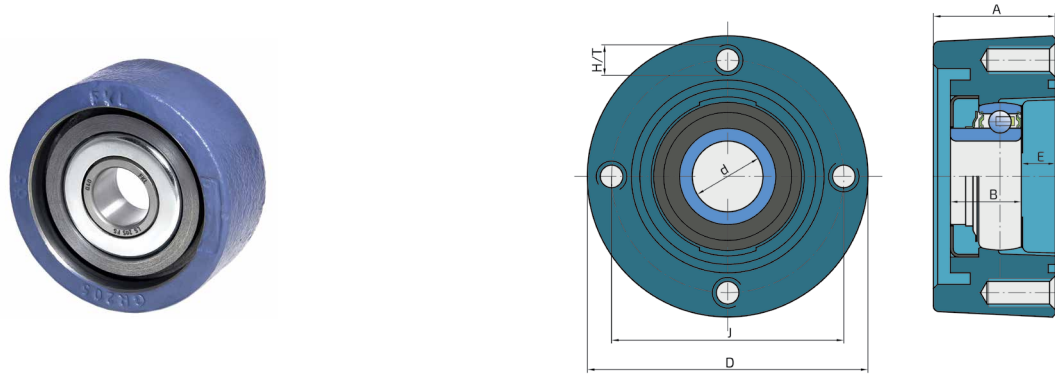
Typical Applications:
 Potencijalno mesto ugradnje i primena:

Packer Rollers
 Kembridž valjci

Bearing Units

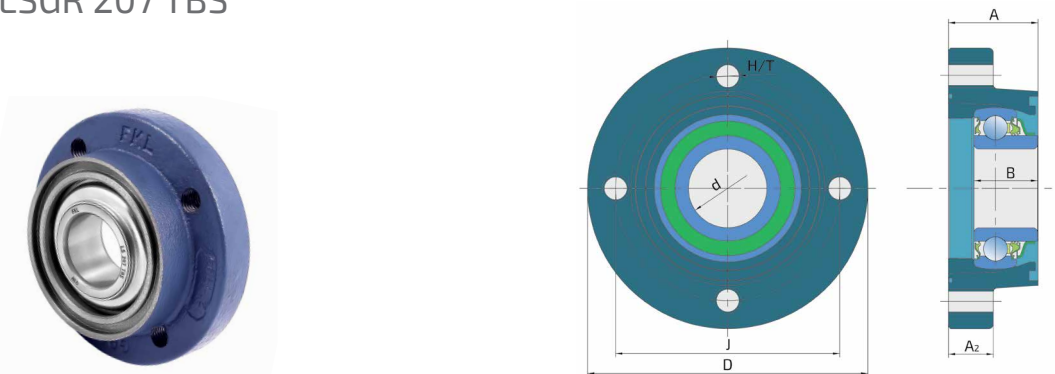
Ležajne jedinice

LSGR 205 FS



Designation/Oznaka	d	D	J	H/T	A	A ₂	B	E	kg
LSGR 205 FS	25	99	82	M10	43	-	25	12	1.55

LSGR 207 TBS

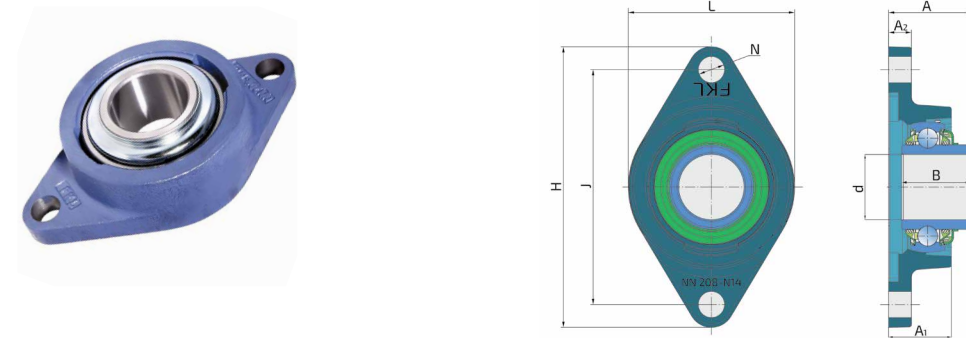


Designation/Oznaka	d	D	J	H/T	A	A ₂	B	E	kg
LSGR 207 TBS	35	125	100	M10	40	20	28.3	-	1.70

Bearing Units

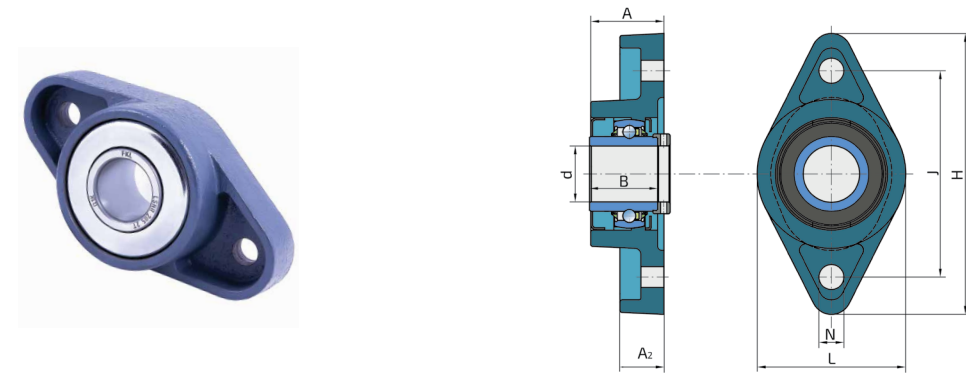
Ležajne jedinice

LSNN 208 TDT.H.T*K



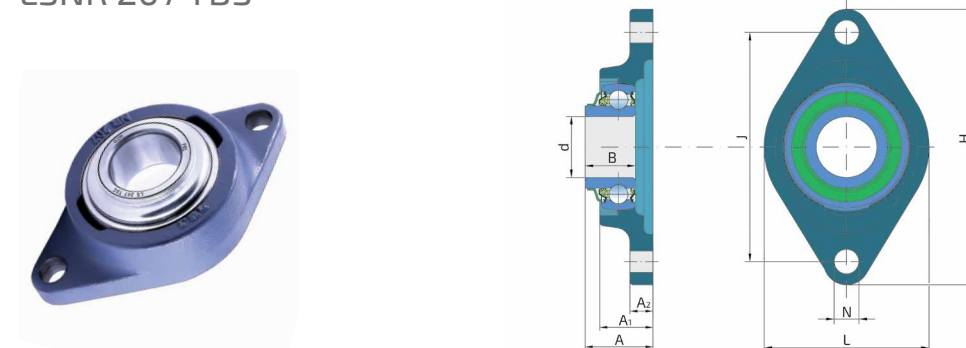
Designation/Oznaka	d	H	J	L	A	A ₂	B	N	kg
LSNN 208 TDT.H.T*K	40	172	144	102	51.2	14	43.2	16	1.78

LSNR 205 2T



Designation/Oznaka	d	H	L	J	A	A ₂	B	N	kg
LSNR 205 2T	25	135	71	99	35	21	34.8	11	0.91

LSNR 207 TBS



Designation/Oznaka	d	H	L	J	A	A ₁	A ₂	B	N	kg
LSNR 207 TBS	35	155	93	130	40	31	13	28.3	14	1.05

Typical Applications:
Potencijalno mesto ugradnje i primena:

Packer Rollers
Kembridž valjci

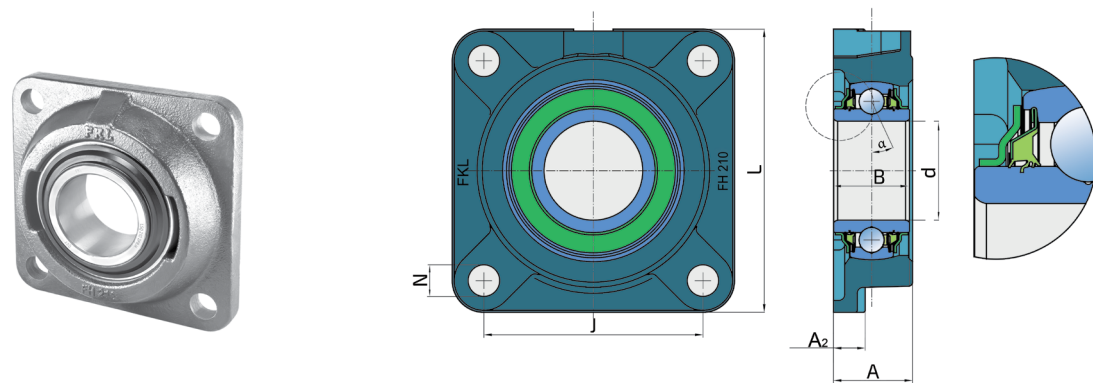
Packer Rollers
Kembridž valjci

Typical Applications:
Potencijalno mesto ugradnje i primena:

Bearing Unit

Ležajna jedinica

LSQFH 210 2PB.H



Designation/Oznaka	d	J	L	A	A ₂	B	N	α	kg
LSQFH 210 2PB.H	50	111	143	40	16	38.5	17	25°	2.65
LSQFH 210 2PB.H.40	40	111	143	38.5	13	38.4	Ø16H13	25°	2.60

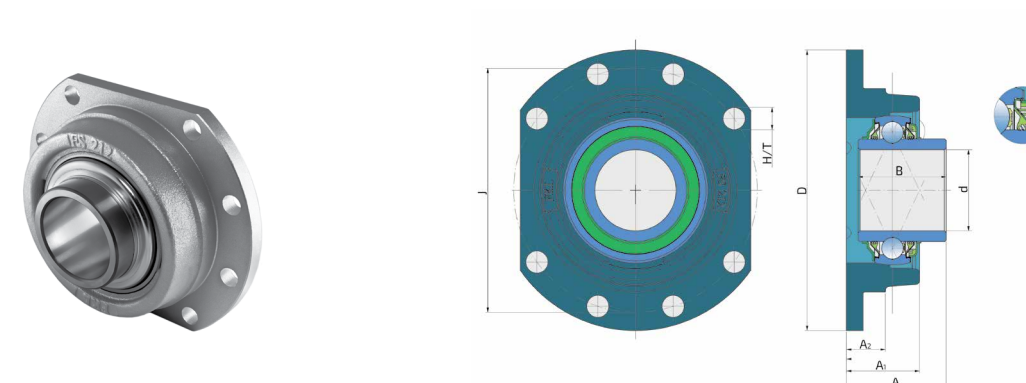
Typical Applications:
Potencijalno mesto ugradnje i primena:

Packer Rollers
Kembridž valjci

Bearing Unit

Ležajna jedinica

LESQFS 212 TDT.H



Designation/Oznaka	d	D	J	H/T	A	A ₁	A ₂	B	kg
LESQFS 212 TDT.H	60	205	180	14.5	73.7	54	28.7	65.1	5.3

Typical Applications:
Potencijalno mesto ugradnje i primena:

Packer Rollers
Kembridž valjci

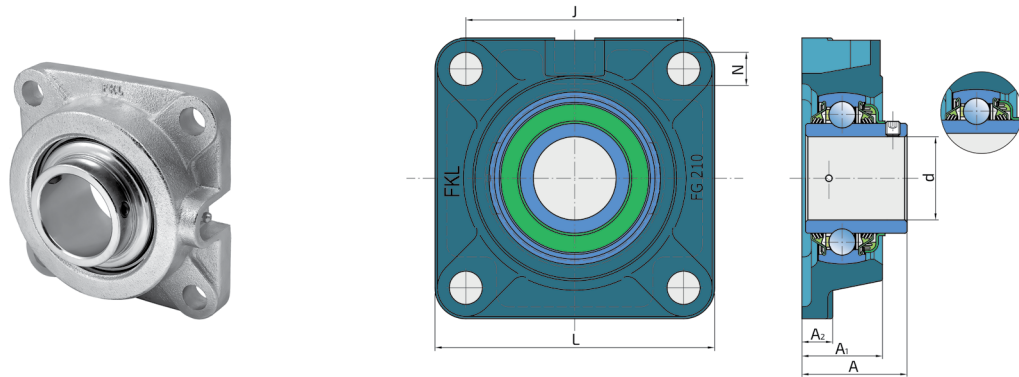
Note/Napomena
Maintenance free option/Opcija bez podmazivanja



ARMOR Bearing Units

ARMOR ležajne jedinice

LEFG 2XX TDT

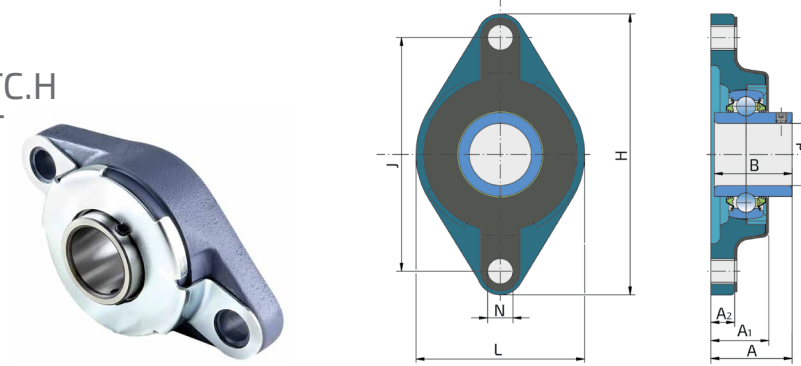


Designation/Oznaka	d	A ₁	A ₂	J	L	N	A	kg
LEFG 206 TDT	30	31	13	83	108	12	40.2	1.20
LEFG 207 TDT	35	34	13	92	118	14	44.4	1.45
LEFG 208 TDT	40	36	14	102	130	16	51.2	1.95
LEFG 209 TDT	45	38	16	105	137	16	52.2	2.41
LEFG 210 TDT	50	40	16	111	143	16	54.6	2.78
LEFG 211 TDT	55	43	17	130	162	19	59.8	3.55
LEFG 212 TDT	60	48	19	143	175	19	68.5	4.64
LEFG 214 TDT	70	50.3	21.3	152	193	19	70.7	6.20

Bearing Units

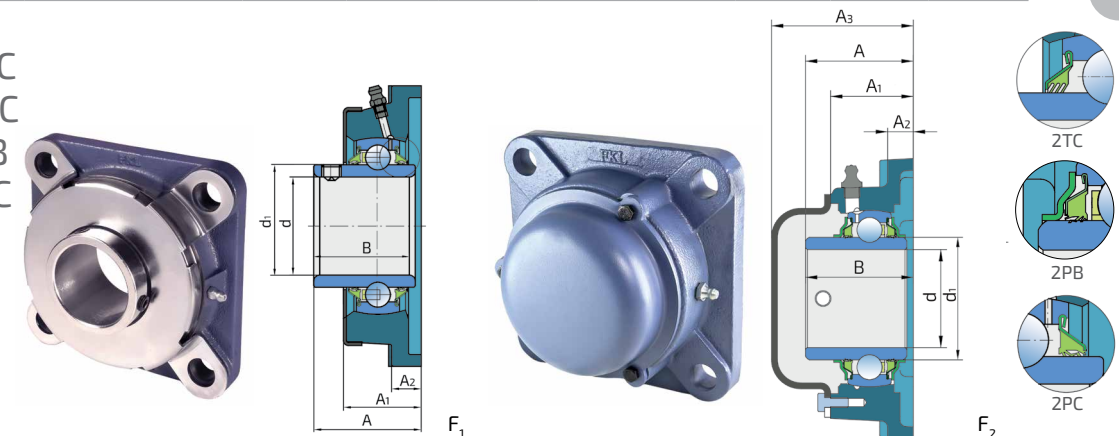
Ležajne jedinice

LENN 206 2TC.H LENN 208 2T LENN 210 2T



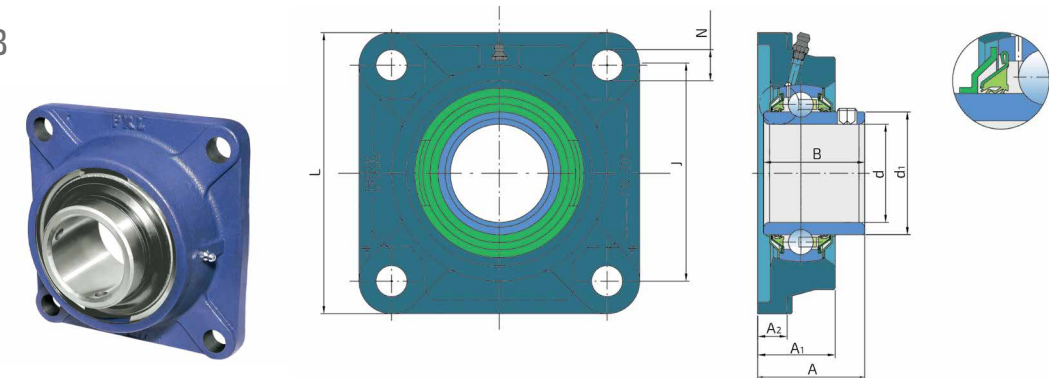
Designation/Oznaka	d	H	L	J	N	A	A ₁	A ₂	B	kg
LENN 206 2TC.H	30	148	80	117	16	40.2	30.5	13.5	38.1	1.12
LENN 208 2T	40	175	100	144	14	51.2	36	16	49.2	1.69
LENN 210 2T	50	195	115	157	19	54.6	40	18	51.6	2.13

LEFN 205 2TC LEFN 208 2TC LEFC 210 2PB LEFN 210 2PC



Designation/Oznaka	d	d ₁	L	J	N	A	A ₁	A ₂	B	kg	Fig./Sl.
LEFN 205 2TC	25	33.74	95	70	12	35.8	28.5	12	34.1	0.81	1
LEFN 208 2TC	40	51.8	130	102	16	51.2	36	14	49.2	2.8	1
LEFC 210 2PB	50	62.5	143	111	16	72	42	17	51.6	2.9	2
LEFN 210 2PC	50	62.5	143	111	16	54.6	38	15	51.6	2.8	1

LEFN 210 2PB



Designation/Oznaka	d	d ₁	L	J	N	A	A ₁	A ₂	B	kg
LEFN 210 2PB	50	62.5	143	111	Ø 16H13	54.6	40	11	51.6	2.6

Specificity:
Specifičnosti:

Universal Solutions
Univerzalna rešenja

Housing material: Ductile iron/Materijal kućišta: nodularni liv
Sealing: double triple lip/Zaptivanje: dupla trousna zaptivka
Maintenance free option/Opcija bez podmazivanja

Specificity:
Specifičnosti:

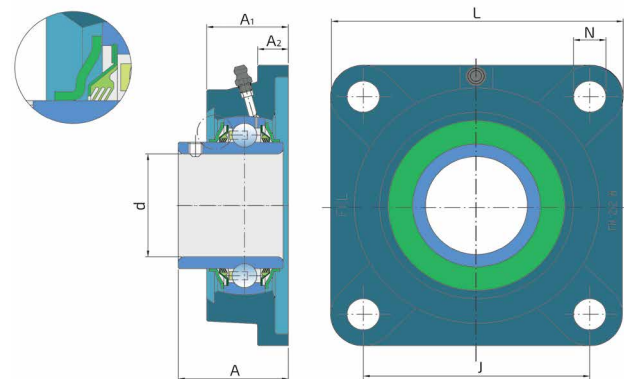
Universal Solutions
Univerzalna rešenja

Three-lip sealing/Trousna zaptivka
Housing material: Ductile iron/Materijal kućišta: nodularni liv
Protective metal sheet and cap/Zaštitni metalni lim i kapa
Maintenance free option/Opcija bez podmazivanja

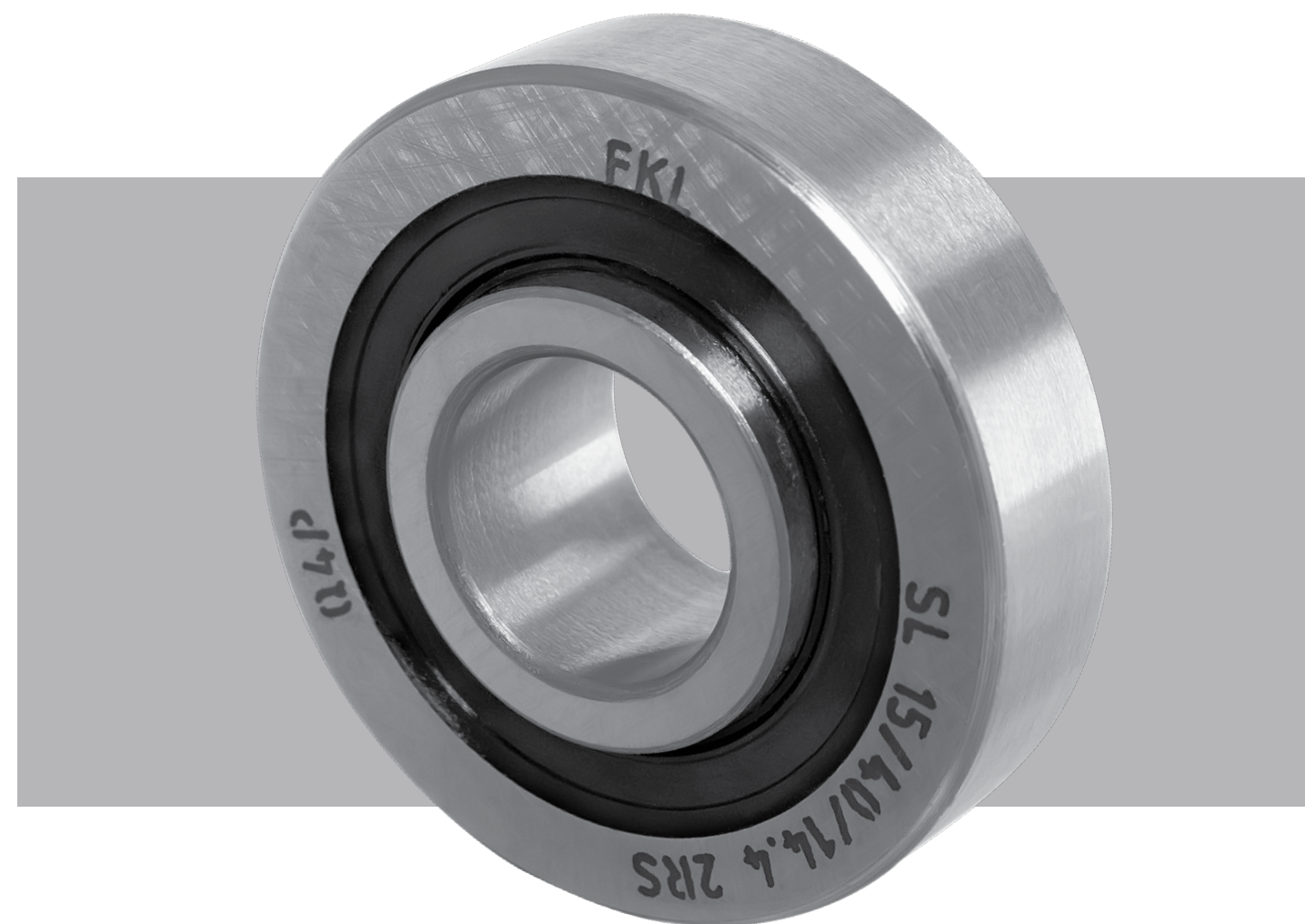
Bearings Units

Ležajne jedinice

LEFN 212 2TB
LEFN 212 M 2TB



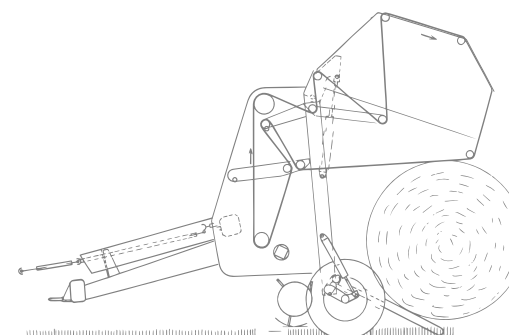
Designation/Oznaka	d	J	L	A	A ₁	A ₂	N	kg
LEFN 212 2TB	60	143	175	68.7	48	15	19	4.27
LEFN 212 M 2TB	60	143	175	73.7	52	17	18	4.27



Typical Applications:
Potencijalno mesto ugradnje i primena:

Packer Rollers
Kembridž valjci

Note/Napomena
Maintenance free option/Opcija bez podmazivanja



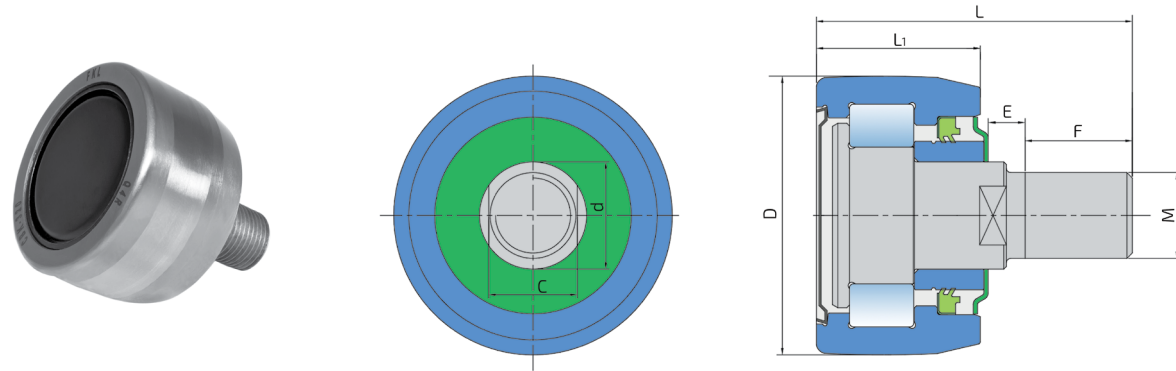
Packer Baler Solutions

Ležajevi balirke

Cylindrical Roller Bearing

Valjkasti ležaj

CBK 320



Designation/Oznaka	d	D	L	L ₁	C	M	kg
CBK 320	20	52	59	30.6	16.5	M16x1.5	2.8

Ball Bearing

Kuglični ležaj

LR-35/72



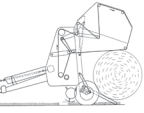
Designation/Oznaka	d	D	B	kg
LR-35/72	35	72	17	0.32

Typical Applications:
Potencijalno mesto ugradnje i primena:

Packer Balers
Mašine za baliranje

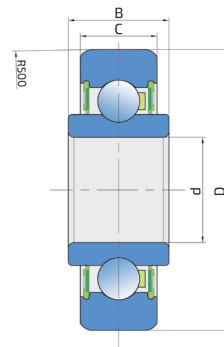
Packer Balers
Mašine za baliranje

Typical Applications:
Potencijalno mesto ugradnje i primena:

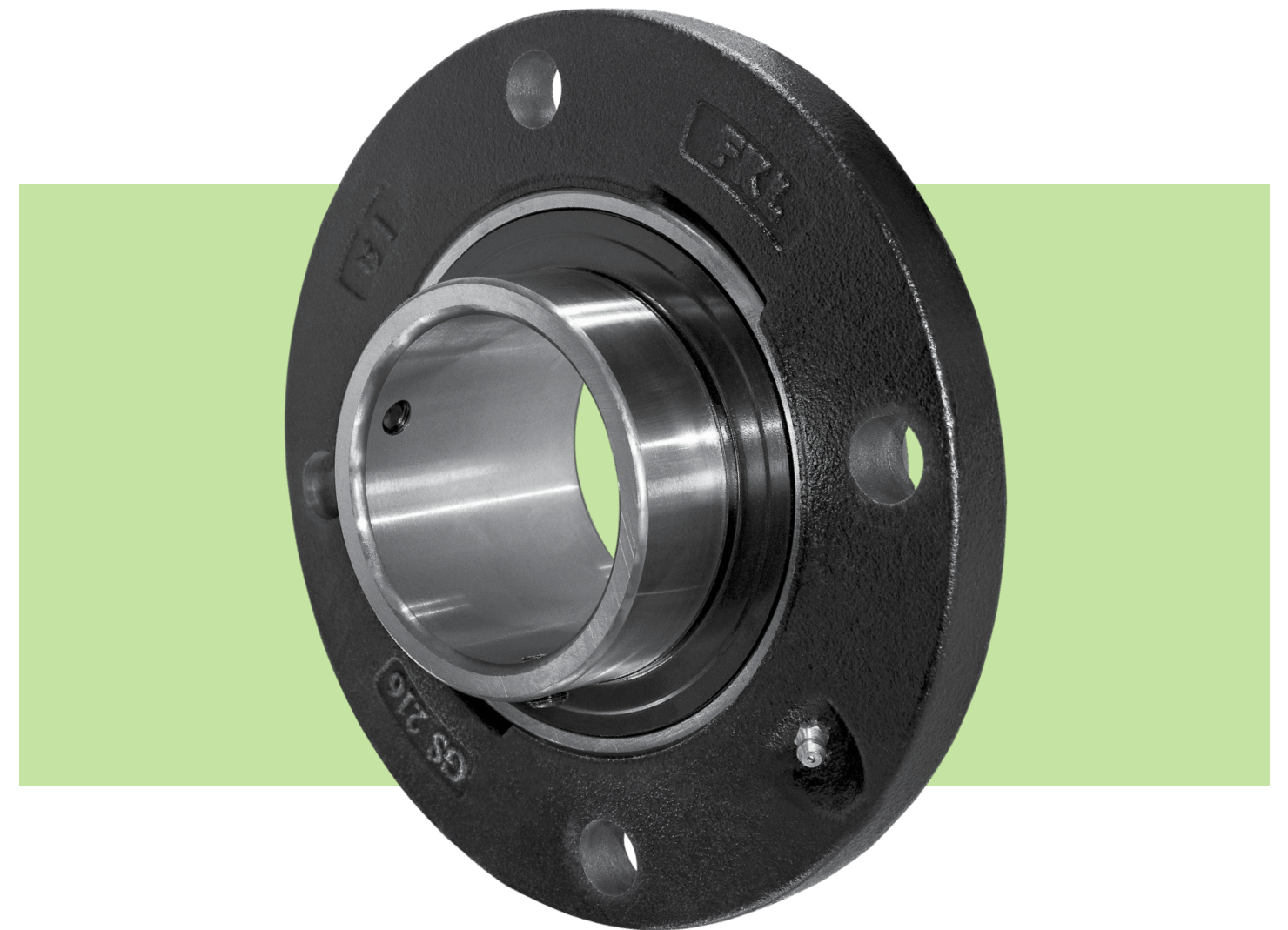


Ball Bearing Kuglični ležaj

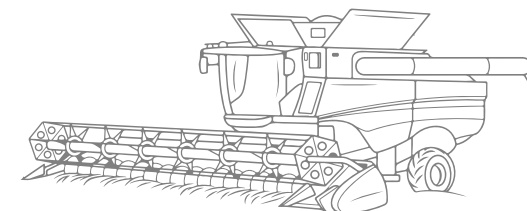
SL 15/40/14.4 2RS



Designation/Oznaka	d	D	B	C	kg
SL 15/40/14.4 2RS	15	40	14.4	11	0.08



Harvester Solutions Ležajevi i lež. jedinice kombajna



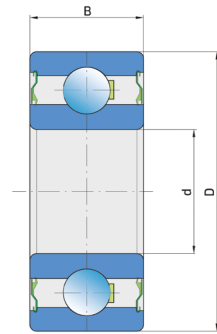
Typical Applications:
Potencijalno mesto ugradnje i primena:

Packer Balers
Mašine za baliranje

Ball Bearing

Kuglični ležaj

SL 40/90/36.5

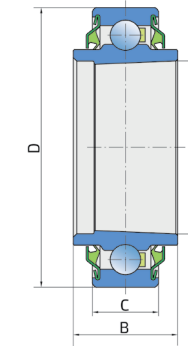


Designation/Oznaka	d	D	B	kg
SL 40/90/36.5	40	90	36.5	1.21

Ball Bearings

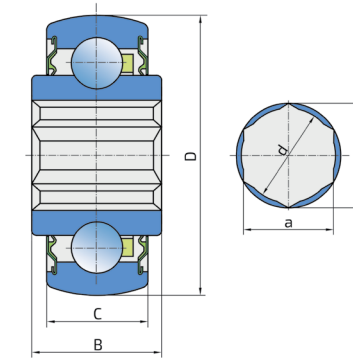
Kuglični ležajevi

209 KRR K/50.135



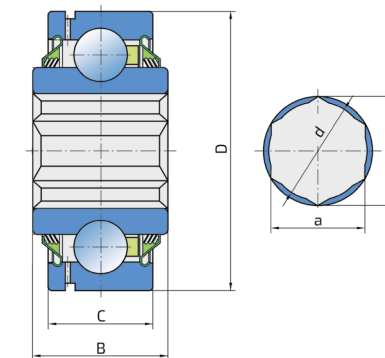
Designation/Oznaka	a	a ₁	d	D	B	C	kg
209 KRR K/50.135	-	-	50.135	81	30	18	0.42

207KRRB9



Designation/Oznaka	a	a ₁	d	D	B	C	kg
207KRRB9	28.6	32.95	29.3	72	37.7	17	0.51

G207 KPP3 AH16



Designation/Oznaka	a	a ₁	d	D	B	C	kg
G207 KPP3 AH16	31.78	36.45	32.5	72	38	19	0.65

Typical Applications:
Potencijalno mesto ugradnje i primena:

Harvesters
Kombajni

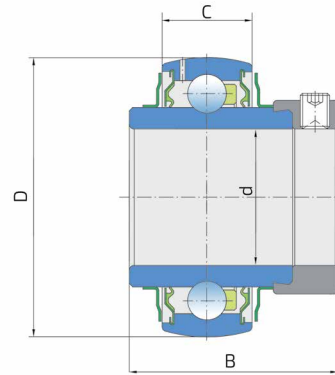
Harvesters
Kombajni

Typical Applications:
Potencijalno mesto ugradnje i primena:

Ball Bearings

Kuglični ležajevi

Y-bearings with eccentric locking collar (LY)
Y-kuglični ležajevi sa ekscentrom za pritezanje (LY)

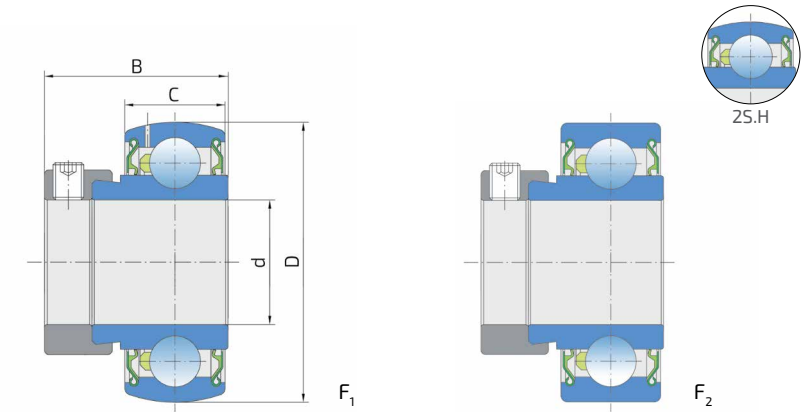


Designation/Oznaka	d	D	B	C	kg
LY 205-100 2F	25.4	52	44.4	15	0.25
LY 206-104 2F	31.75	62	48.4	18	0.21
LY 207-104 2F	31.75	72	51.1	19	0.61
LY 207-106 2F	34.925	72	51.1	19	0.57
LY 207-107 2F	36.512	72	51.1	20	0.61
LY 208-108 2F	38.1	80	56.3	21	0.80
LY 208-108 2F.SH	38.1	80	56.3	21	0.8
LY 209-112 2F	44.45	85	56.3	22	0.76
LY 211-200 2F	50.8	100	71.4	25	1.40

Ball Bearings

Kuglični ležajevi

Y-bearings with eccentric locking collar (UY)
Y-kuglični ležajevi sa ekscentrom za pritezanje (UY)



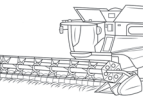
Designation/Oznaka	d	D	B	C	kg	Fig./Sl.
UY 203/15 2S	15	40	28.6	12	0.15	1
UY 204 2S.SH	20	47	31	14	0.19	2
UY 204-012 2S	19.05	47	31	14	0.19	1
UY 204-012 2S.SH	19.05	47	31	14	0.19	2
UY 205-014 2S	22.225	52	31	15	0.20	1
UY 205-100 2S	25.4	52	31	15	0.20	1
UY 205-100 2S.H	25.4	52	31	15	0.20	1
UY 206-104 2S	31.75	62	35.7	16	0.27	1
UY 206-104 2S.H	31.75	62	35.7	16	0.27	1
UY 207-104 2S	31.75	72	38.9	19	0.48	1
UY 207-106 2S	34.925	72	38.9	19	0.48	1
UY 207-102 2S.SH	34.925	72	38.9	19	0.48	2
UY 207 2S.SH	35	72	38.9	19	0.31	2
UY 208-108 2S	38.1	80	43.7	21	0.63	1
UY 209-112 2S	44.45	85	43.7	22	0.65	1

Typical Applications:
Potencijalno mesto ugradnje i primena:

Harvesters
Kombajni

Harvesters
Kombajni

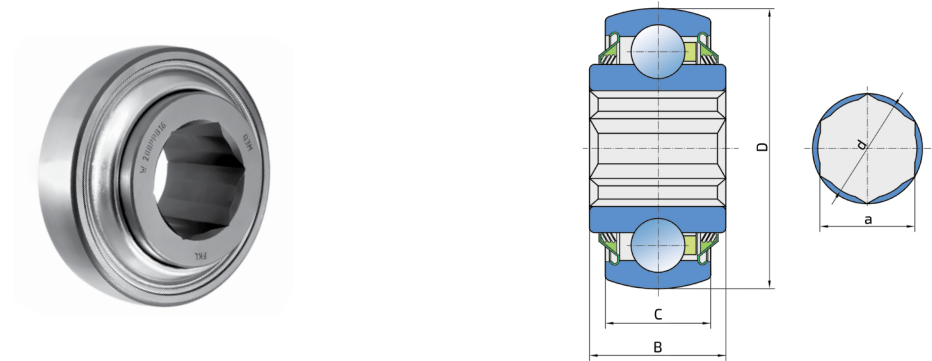
Typical Applications:
Potencijalno mesto ugradnje i primena:



Ball Bearings

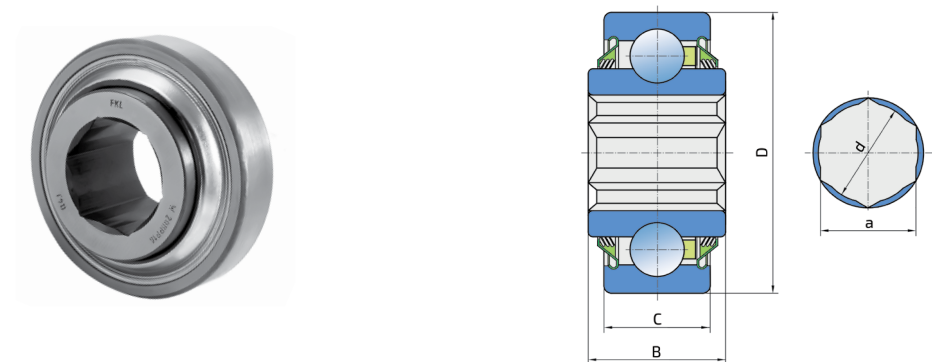
Kuglični ležajevi

W 208PPB16



Designation/Oznaka	a	d	D	B	C	kg
W 208PPB16	31.78	32.5	80	36.5	18	0.67

W 208PP16



Designation/Oznaka	a	d	D	B	C	kg
W 208PP16	31.78	32.5	80	36.5	18	0.67

Typical Applications:
Potencijalno mesto ugradnje i primena:

Harvesters
Kombajni

Bearing Units with GS type housing

Ležajne jedinice sa kućištem tipa GS

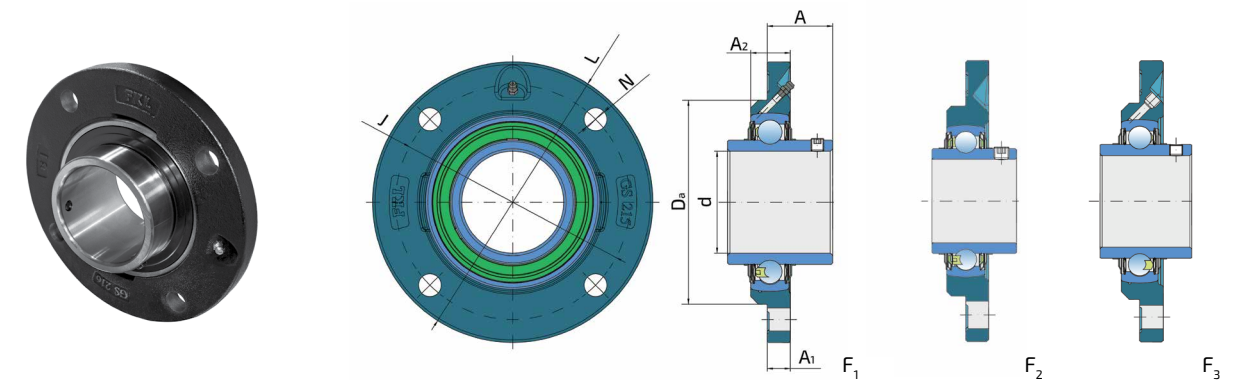
LEGS 208 2F.H

LEGS 211 2F.H

LEGS 214 2F

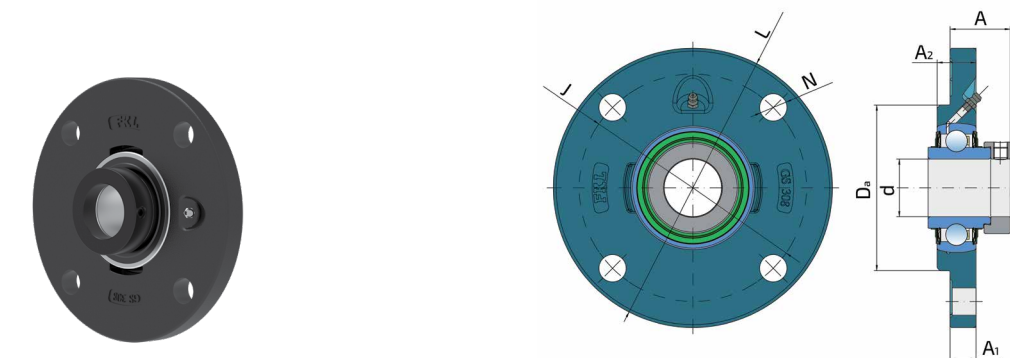
LEGS 215 2F.C77.8

LEGS 216 2F.C82.6



Designation/Oznaka	d	A	A ₁	A ₂	D _a	L	J	N	Fig./Sl.	kg
LEGS 208 2F.H	40	29.2	11.5	23	100	145	120	11.5	2	1.656
LEGS 211 2F.H	55	33.4	15	27.5	125	185	150	18	2	3.074
LEGS 214 2F	69.9	39.7	18	32	150	215	177	18	3	4.889
LEGS 215 2F.C77.8	75	44.5	18	32	160	220	184	18	1	5.446
LEGS 216 2F.C82.6	80	51.3	18	31	160	220	184	18	1	5.308

LYGS 308 2F



Designation/Oznaka	d	A	A ₁	A ₂	D _a	L	J	N	kg
LYGS 308 2F	40	41.9	18	27	115	194	158	19	3.721

Typical Applications:
Potencijalno mesto ugradnje i primena:

Harvesters
Kombajni

FKL

Providing the Best Solutions
Obezbeđivanje najboljih rešenja



Foreign Markets

Inostrana tržišta

LLC FKL
Russia, Voronezh
Tel: +7 473 211 05 50
www.rusfkl.ru

FKL BY
Belarus, Minsk
Tel: +375 17 212 18 39
www.fkl.by

FKL CZECH S.R.O.
Czech Republic/Slovakia, Kroměříž
Tel: +420 573 33 68 60
www.fkl-czech.cz

FKL DEUTSCHLAND GMBH
Germany, Heckelberg-Brunow
Tel: +49 33451 55 57 99
www.fkl-deutschland.de

FKL HUNGARY KFT
Hungary, Debrecen
Tel: +36 70 365 8187
www.fklhungary.hu

FKL IBERICA Bearings S.L.
Spain/Portugal, Lugo
Tel: +34 982 20 90 33
www.fkl-iberica.com

FKL PARS
Iran, Tehran
Tel: +98 21 77 50 64 61
fkl.pars@gmail.com

FKL POLSKA SP.Z.O.O.SP.K.
Poland/Baltic States, Kušlin
Tel: + 48 605 48 68 78
www.fkl-polska.pl

FKL ROMANIA SRL
Romania/Moldova, Bragadiru
Tel: +40 374 64 02 27
www.fklromania.ro

FKL UKRAINE LTD
Ukraine, Lutsk
Tel: +38 332 77 43 99
www.fkl.ua

AGRIPARTNER - GANAYE SARL
France, Beaumont
Tel: +33 05 49 85 50 22
www.agripartner.fr

APPLIED INDUSTRIAL TECHNOLOGIES PTY LTD
Australia, Oakleigh
Tel: +61 3 9567 8700
www.appliedau.com.au

AS MODUATOR
Estonia, Põltsamaa
Tel: + 372 776 86 53
www.moduator.ee

AUCKLAND BEARING DISTRIBUTORS LTD
New Zealand, Auckland
Tel: +64 9 444 65 66
www.aucklandbearings.co.nz

CELSAN EUROPA S.R.L.
Italy, Argelato
Tel: +39 51 66 30 741
www.celsan.com

EKOAL OOD
Bulgaria, Razgrad
Tel: +359 84 66 08 71
www.ekoalbg.com

HAGOP GIRAGOS
Syria, Lattakia
Tel: +963 41 43 31 08
giragos@scs-net.org

JOKILAAKERI OY
Finland, Pori
Tel: +358 2 631 95 00
www.nomogroup.fi

LAUDORTS SIA
Latvia, Riga
Tel: +371 20 52 15 59
www.laudorts.lv

NOVOTECHNO S.R.O.
Slovakia, Nové Zámky
Tel: +421 35 6424 520
www.novotechno.sk

PO BEARINGS S.R.O.
Slovakia, Prešov
Tel: +421 51 74 950 86
www.loziska-bearings.sk

ROLLER J KOUKORINIS J LIAKOPOULOS EE
Greece, Larissa
Tel: +30 2410 28 91 39
www.roller.com.gr

SE-KRA DOO
Croatia, Sesvetski Kraljevec
Tel: +385 01 204 80 23
www.se-kra.hr

SISA OTOMOTIV DIS TICARET LTD
Turkey/Iraq, Izmir
Tel: +90 232 375 22 81
sisa.dis.tic@superonline.com

SRL ROMANCIUC ROMA SI CO
Moldova, Singerei
Tel: +373 69 16 83 82
romanciuci@mail.ru

TEMKO DOO
North Macedonia, Skoplje
Tel: +389 2 3066 068
goran.temko@gmail.com

TIVI GROUP LTD
Bulgaria, Dimitrovgrad
Tel: +359 391 61 561
www.tivigroup.com

UAB IGNERA
Lithuania, Kaunas
Tel: +370 37 35 35 15
www.ignera.lt

VSC UNITECH SRL
Moldova, Chişinău
Tel: +373 69 10 16 79
www.vscunitech.md

VULIN DOO
Bosnia and Herzegovina, Bijeljina
Tel: +387 55 49 03 40
vulindoo@yahoo.com

WEARPARTS TILLAGE TOOLS LLC
USA, Gothenburg
Tel: +1 888 425 2337
www.wearpartsllc.com

Domestic Market

Domaće tržište

MIKRON DOO
Serbia, Sirig
Tel: +381 21 849 538
www.mikron-doo.rs

NEPTUN DOO
Serbia, Temerin
Tel: +381 21 84 62 55
www.neptundoo.rs

TENEJ DOO
Serbia, Beograd
Tel: +381 11 74 65 655
www.tenej.com

AGROMARKET DOO
Serbia, Veternik
Tel: +381 21 82 34 24
www.agromarket021.com

JUSEL DOO
Serbia, Šabac
Tel: +381 15 30 00 00
www.jusel.com

LAGERTON DOO
Serbia, Niš
Tel: +381 18 57 63 62
www.lagerton.com

SET TRADE N&N DOO
Serbia, Zrenjanin
Tel: +381 23 52 34 00
www.setzr.rs

KUGLAGER DOO
Serbia, Novi Sad
Tel: +381 21 63 93 130
www.kuglager.rs



FKLO

Providing the Best Solutions
Obezbeđivanje najboljih rešenja

